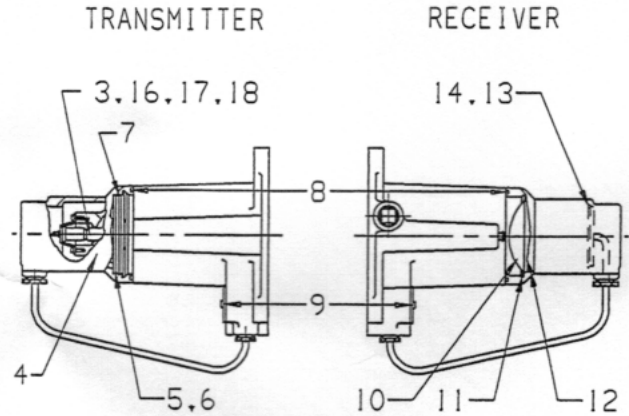


RECOMMENDED SPARE KITS FOR 1 YEARS OPERATION					
NUMBER OF CONTROLS ON SITE					
PACK	ONE	TWO OR MORE	PACK	ONE	TWO OR MORE
SK14	1	2	SK364	1	2
SK15	1	2	SK17	1	2

SPARE KITS FOR:
SMOKE DENSITY MONITOR.

TRANSMITTER: I2537, I2926
RECEIVER: I2538, I2927

ITEM	DESCRIPTION	QTY PER CONTROL
3	LAMP	1
4	REFLECTOR	1
5	GLASS SCREEN	1
6	GROUND GLASS ASSEMBLY	1
7	SEALING RING SCREEN (SET OF 2)	1
8	'O' RING ENCLOSURE (SET OF 2)	1
9	TERMINAL BOX SEAL (SET OF 2)	1
10	LENS	1
11	RETAINING CLIP (SET OF 2)	1
12	'O' RING LENS (SET OF 2)	1
13	PCB & CABLE ASSEMBLY	1
14	CIRCLIP	1
16	LAMP HOLDER ASSEMBLY	1
17	SPACER	1
18	SCREWS	1



KIT	DESCRIPTION	ITEMS IN KIT	USED ON
SK14	REFLECTOR & LAMPS	3-(5 OFF), 4, 16, 17, 18	I1537, I1538, I1926, I1927
SK15	LENS & GLASS	5, 6, 10, 11	I1537, I1538, I1926, I1927
SK364	PCB & CABLE ASSEMBLY	13, 14	I1537, I1538, I1926, I1927
SK17	SEALS	7, 8, 9, 12	I1537, I1538, I1926, I1927
SK263	LENS	10-(10 OFF)	I1537, I1538, I1926, I1927

ALWAYS CHECK ISSUE
SCANNED IMAGE FILE

ISSUE DATE
08/12/2005

mobrey

DRG. No. SKD19