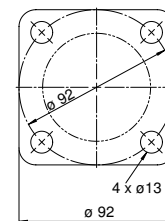
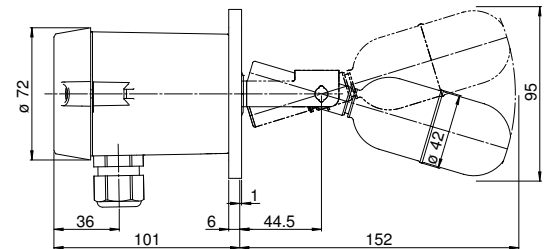
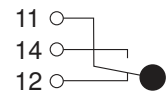


### Side mounted switches for high or low alarm duties (incl. gasket)

Nominal pressure	PN 10
Operating temperature	0 to 150°C
Ambient temperature	0 to 70°C
Density of the liquid	min. 0.7 kg/dm <sup>3</sup>
Operating differential	12 mm, fixed
Wetside material	Stainless steel (CrNiMo)
Flange material	Stainless steel (CrNiMo)
Housing material	seawater resistant die cast aluminium
Flange	square 92 x 92 mm, 92 mm PCD
Switch element	Microswitch SPDT with silver contacts
Switch rating	250 VAC, 3 A 30 VDC, 0.5 A
Enclosure	IP65
Weight	approx. 0.9 kg
Cable entry	M20 x 1.5
Safety Integrity Level (SIL)	SIL 1



Flange dimensions



Connection diagram

#### Option: Type DC 01C 05

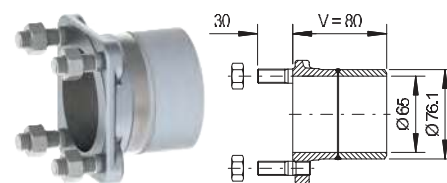
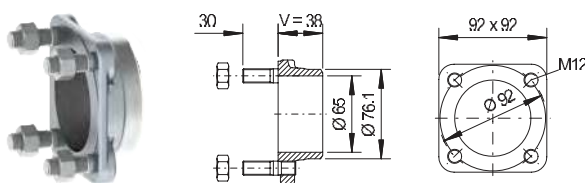
Operating temperature	0 to 120°C
Enclosure	IP67

(All other technical data as type C 01C 05)

### Counterflange with and without test actuator

The simplest method of installing any Trimod Besta Compact switches is to use our standard weld-on counterflanges. There are two different lengths of counterflanges in C22.8 carbon steel or 1.4404 stainless steel, with or without test actuator. The test actuator allows a periodic manual function check of the level switch in operating status. The function of the switching element and movement of the float can be tested.

#### Counterflange



Type	Flange length	Flange material	Stud material	Stud length
2829.1	V = 38 mm	C22.8	5.8	30 mm
2831.3	V = 38 mm	1.4404	A2	30 mm

Type	Flange length	Flange material	Stud material	Stud length
2829.1V80	V = 80 mm	C22.8	5.8	30 mm
2831.3V80	V = 80 mm	1.4404	A2	30 mm

### Counterflange V=50 mm, with test actuator

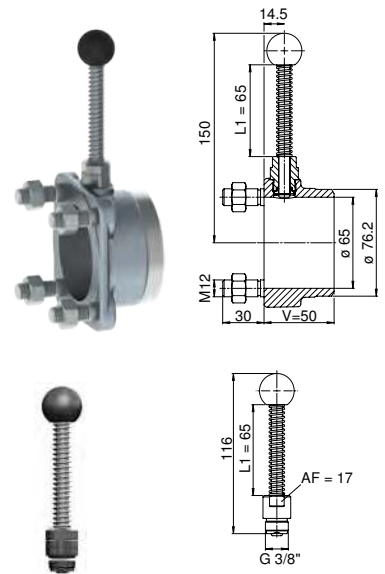
**Important:** Positioning of counterflanges with G 3/8" thread for test actuator.  
If the level switch is used for high alarm the thread has to look upwards.  
For a low level alarm, the thread has to look downwards.

Type	Flange material	Stud material	Test actuator material	O-ring
2865	C22.8	5.8	1.4305/1.4404	FPM
2866	C22.8	5.8	1.4305/1.4404	EPDM
2868	1.4404	A2	1.4305/1.4404	FPM
2869	1.4404	A2	1.4305/1.4404	EPDM

Type	Test actuator material	O-ring
2380	Prüfbetätiger	FPM
2381	Prüfbetätiger	EPDM

#### Temperature range

- Counterflange
  - Material C22.8: -10 to 300°C
  - Material 1.4404: -196 to 400°C
- Test actuator
  - with FPM O-Ring: 0 to 150°C
  - with EPDM O-Ring: -30 to 150°C
- Operating pressure: -1 to 25 bar



### Float chambers

For external mounting (bypass) of level switches with a square flange. This type of mounting allows functional checks and servicing without interruption of operation if shut-off and drain valves are available in the supply lines. The float chambers are available in different designs and materials.

#### Services and Q certifications

- Test report in accordance with EN 10204-2.2
- Inspection certificate in accordance with EN 10204-3.1
- Non destructive testing such as ultrasonic, x-ray, dye penetrant or magnetic particle examination
- Material testing including charpy, tensile and hardness
- Design-examination for PED in accordance with 97/23/EC
- Coatings

#### We have the following available

- Procedure qualification record: AD 2000-HP2/1
- Approved welders in accordance with: AD 2000 HP3
- Approval for material transfer stamping in accordance with: SVTI 201/507

#### Chambres standards PN 25

Types: acc. to float chamber brochure  
Process connection: DN 25, 50 in acc. with DIN, DN 1", 2" in acc. with ANSI  
Materials: Carbon steel, high temperature steel, CrNi steel, CrNiMo steel  
Flange facing of process connection: in acc. with DIN 2526 in acc. with ANSI B16.5

#### Options:

- Special dimensions
- Vent and drain connection
- Long studs for mounting a test actuator
- Float chambers for low temperature applications
- Float chambers with max. hardness of HRC 22 in accordance with NACE



#### Certificates

- Material certificates acc. to EN 10204-2.2 & EN10204-3.1
- Test record: hydraulic pressure test and functional tests
- Test records of material tests: X-ray, ultrasonic, charpy, hardness etc.

#### Quality Assurance

- Besta Ltd. is certified acc. to ISO 9001.

#### Lloyds Register of Shipping / LRS

- Type Approval Certificate No. 05/20052(E4)

