

Typical Standard Range switches to handle the majority of applications

The characteristic of a TriMod BESTA level switch of the Standard Range is the square flange in stainless steel with bolt holes on a 92 mm PCD and a nominal pressure rating of PN 25.

The following pages show the level switches which are most commonly used. However, countless more combinations of types are possible. Detailed information can be found on all the modules available with the possible combinations on pages 17 to 31.

For accessories such as test actuators, counterflanges and float chambers see pages 33 to 36.

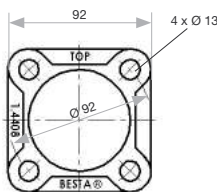
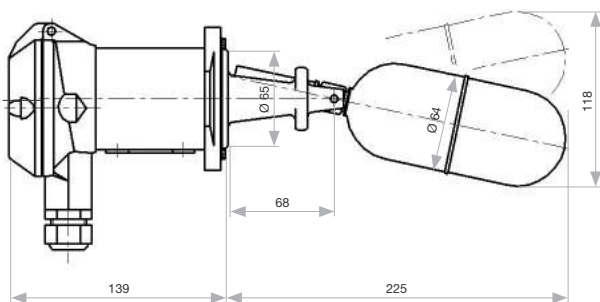
Typical applications: shipbuilding, refrigeration, chemical engineering, food industry, pulp and paper, drinking water supply, sewage treatment etc.



A 01 04

For general purpose

Nominal pressure	PN 25 max. 25 bar up to 300°C
Operating temperature	0 to 300°C
Ambient temperature	0 to 70°C
Density	min. 0.7 kg/dm ³
Operating differential	fixed 12 mm
Rod extensions	see page 31
Wetside material	Stainless steel (CrNiMo)
Flange material	Stainless steel (CrNiMo)
Switch housing material	Sea water resistant die cast aluminium
Flange dimensions	92 x 92 mm (PCD 92 mm)
Counterflange	see page 33
Switch element	Microswitch SPDT silver contacts
Switch rating	5A/250 VAC 5A/30 VDC
Enclosure	IP 65
Weight	approx. 1.8 kg



A 01 041

Low cost solution

This type is the same as the A 01 04 except there is no possibility for mounting a rod extension.

A 01 01

For installation in limited space

The overall length of this type is 194 instead of 226 mm. Minimum liquid density: 0.8 kg/dm³. All other data as type A 01 04.

5A 01 04

For corrosive environments

As type A 01 04 except that the complete switch housing (excluding the cable gland), is manufactured in stainless steel (CrNiMo) and is therefore highly corrosion resistant. Weight approx. 2.7 kg.

A 01 07

For low density fluids

This level switch can be used for liquids with densities as low as 0.5 kg/dm³. Weight approx. 2 kg. All other technical data as type A 01 04