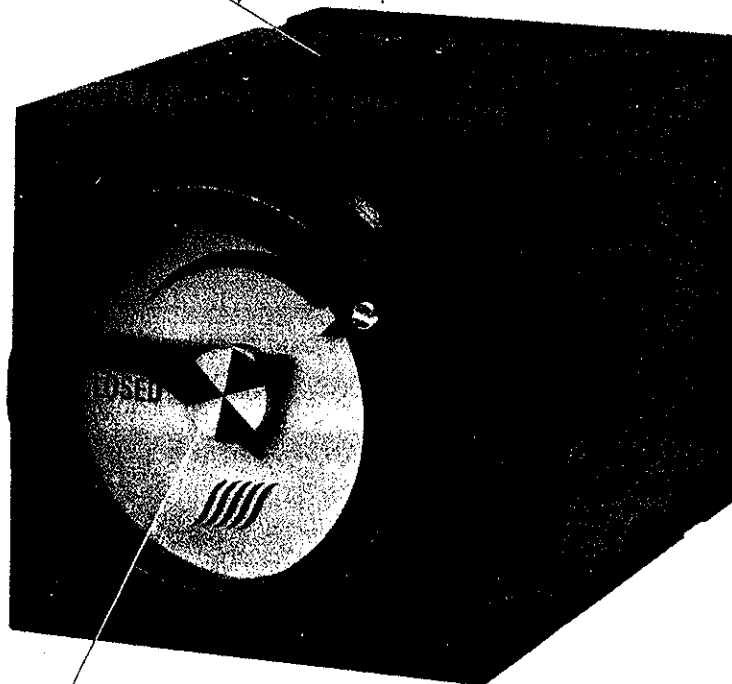


# Hydraulic Position Indicator

type HPR - 01



GETOP 3 interface



Flow indicator

The hydraulic position indicator is basically a hydraulically driven gear wheel motor, connected to a gear box system which can be calibrated according to the respective actuator. Thus a direct volumetric oil flow ratio is given in the position indicator, representing the flow to the actuator. In the hydraulic position indicator a flow indicator is built-in, showing that the oil is running to the actuator.

At the same time a leakage in the pipe system will be indicated.



**Superfos Hydraulic a/s\***

\* Division of Superfos a/s  
Aaderupvej 41 . DK-4700 Naestved, Denmark

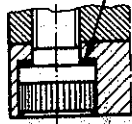
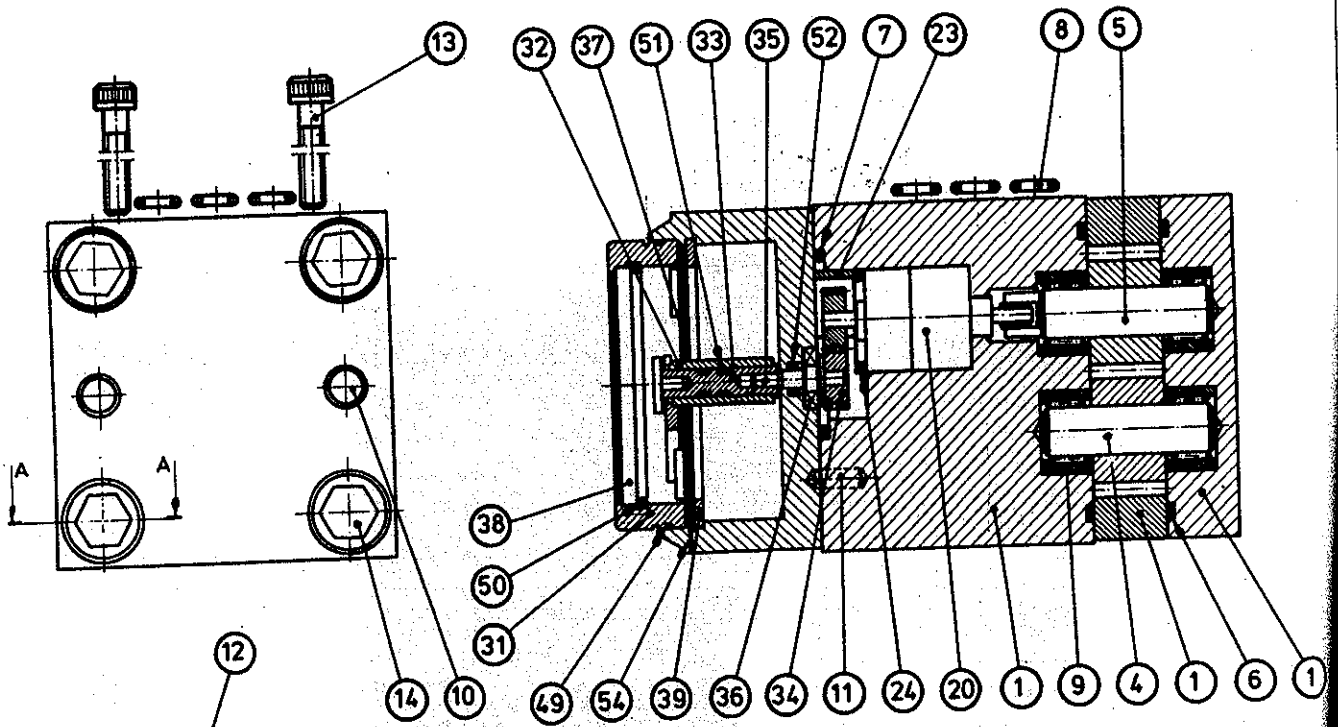
Telex 46231

Telefax (gr2) + 45 3 73 86 94

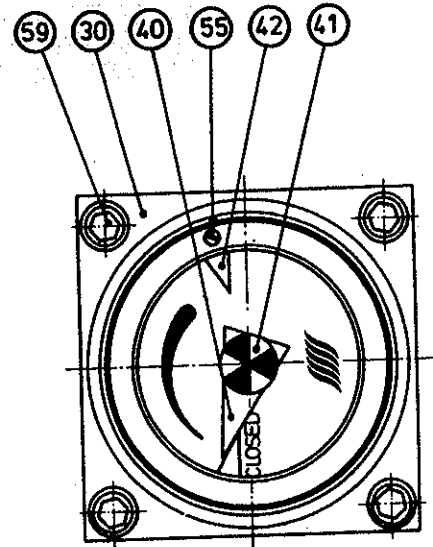
Telephone: + 45-3-72 42 25



# SPECIFICATIONS



Cross-section A-A



- 1 - Housing
- 1 - Intermediate piece
- 1 - Bottom
- 4 - Gear wheel Complete
- 5 - Gear wheel Complete
- 6 - O-Ring
- 7 - O-Ring
- 8 - O-Ring
- 9 - Needle Bearing
- 10 - Pin
- 11 - Pin
- 12 - Washer
- 13 - Screw
- 14 - Screw
- 20 - Gear wheel Complete
- 23 - Washer
- 24 - X-Ring
- 30 - Top-Cover
- 31 - Ring

- 32 - Coupling: Female
- 33 - Coupling: Male
- 34 - Gear wheel
- 35 - Shaft
- 36 - Ball Bearing
- 37 - Indication Plate Complete
- 38 - Cover
- 39 - Locking Washer
- 40 - Pointer
- 41 - Flow indicator
- 42 - Stopper
- 49 - O-Ring
- 50 - O-Ring
- 51 - O-Ring
- 52 - Seal
- 54 - Needle Bearing
- 55 - Screw
- 59 - Screw

81-09-10

SHEET NO.

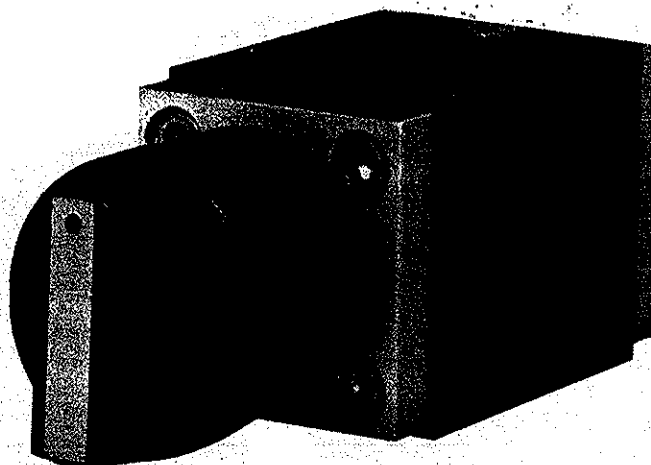


## Superfos Hydraulic a/s \*

\* Division of Superfos a/s  
Aaderupvej 41 . DK-4700 Naestved, Denmark

Telex 46  
Telefax (gr2) + 45 3 73 8  
Telephone: + 45-3-72 4

# Manually Operated Pilot Valve



## Operating procedure

- 1) NEUTRAL POSITION:
  - a) The knob is in center position.
  - b) Slide type A. All 4 ports are closed.
  - c) Slide type D.P. is closed. A + B are led to T.
- 2) OPENING OF VALVE: The knob is turned counter-clockwise and oil flow is led to port B.
- 3) CLOSING OF VALVE: The knob is turned clockwise and oil flow is led to port A.

## Manually Operated Pilot Valve

Valve Housing:	Cast iron
Slide:	Hardened steel
Nominal Working Pressure:	105 bar
Max. Tank Pressure:	30 bar
Test Pressure:	160 bar



**Superfos Hydraulic a/s\***

\* Division of Superfos a/s

Aaderupvej 41 . DK-4700 Naestved, Denmark

Telex 46231

Telefax (gr2) + 45 3 73 86 94

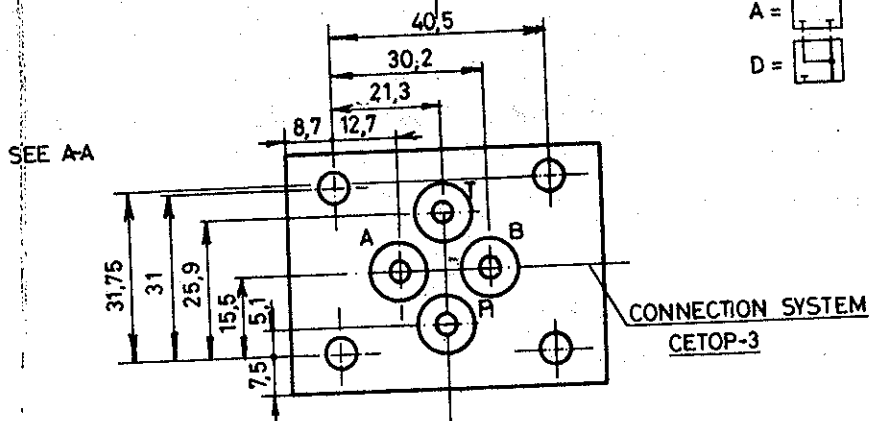
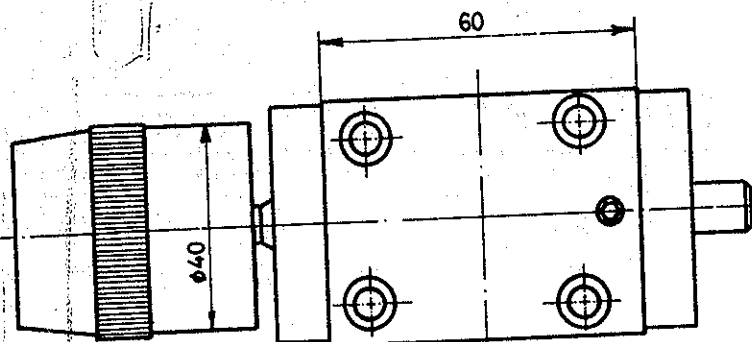
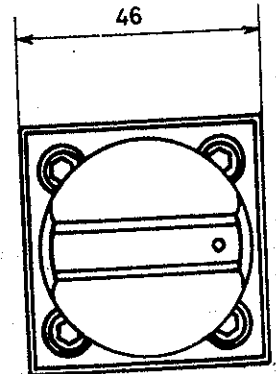
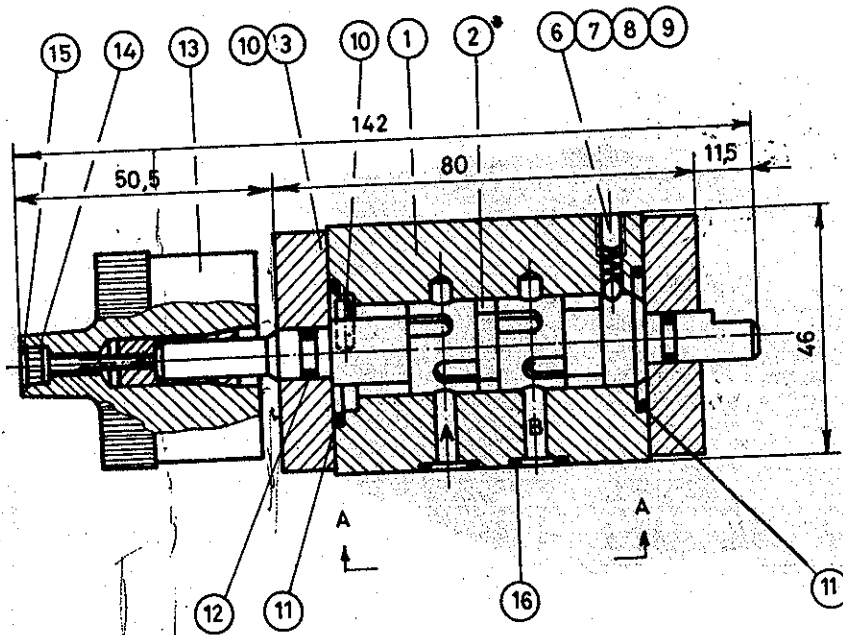
Telephone: + 45-3-72 42 25

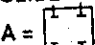
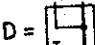
81-09-10

SHEET NO  
05-02-01 GB



# SPECIFICATIONS



\* SLIDE -TYPE  
 A =   
 D = 

- 16 - O-ring
- 15 - Indicator plate
- 14 - Unbrako bolt
- 13 - Hand lever
- 12 - O-ring
- 11 - O-ring
- 10 - Stopping pin
- 9 - Screw
- 8 - Spring guide
- 7 - Spring
- 6 - Ball
- 5 - Screw
- 4 - End cover
- 3 - End cover w/
- 2,2 - Slide, type C
- 2,1 - Slide, type A
- 1 - Housing

81-09-10

SHEET NO.



## Superfos Hydraulic a/s\*

\* Division of Superfos a/s

Aaderupvej 41 . DK-4700 Naestved, Denmark

Tel

Telefax (gr2) + 45 3

Telephone: + 45-3-