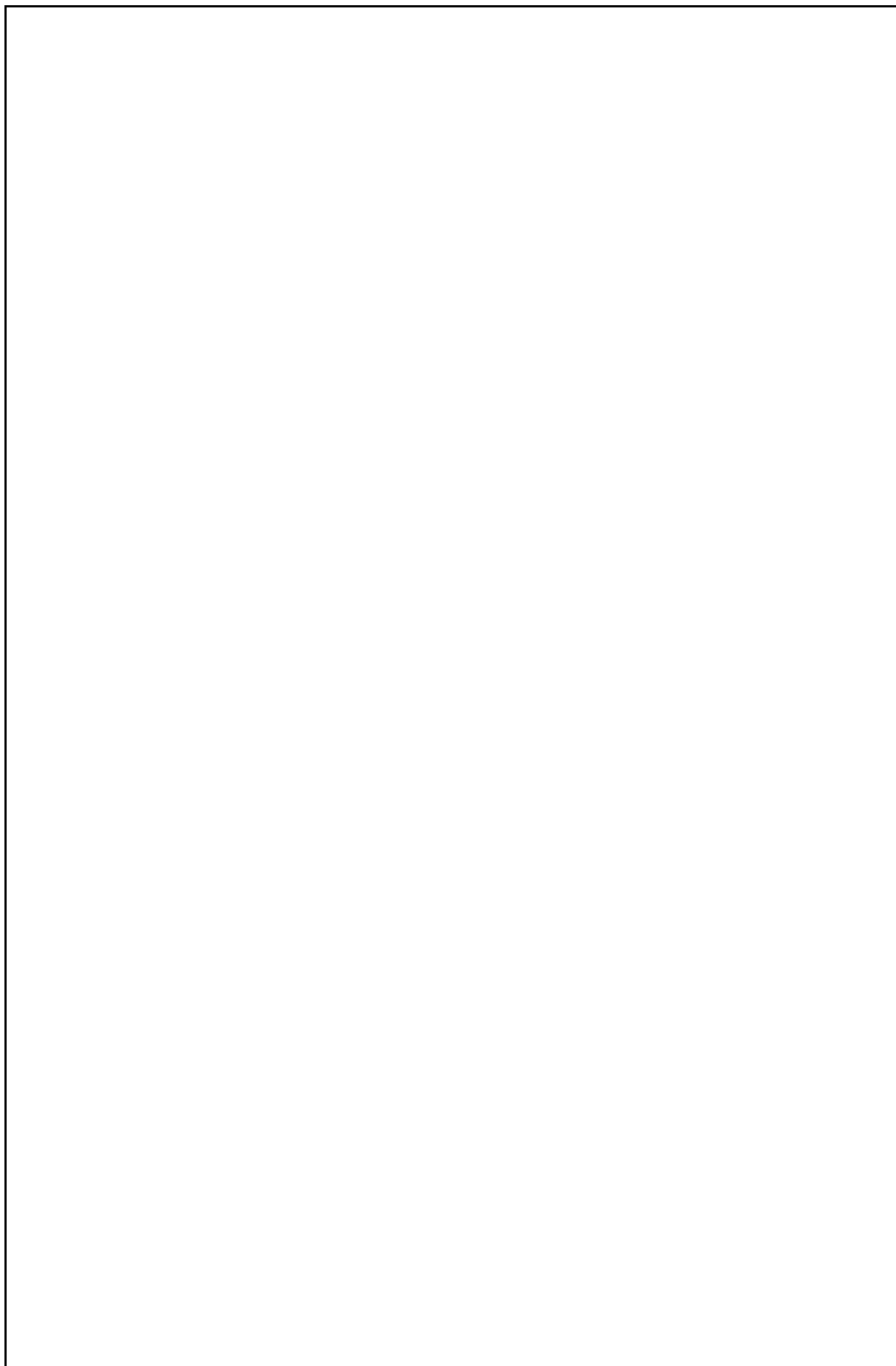


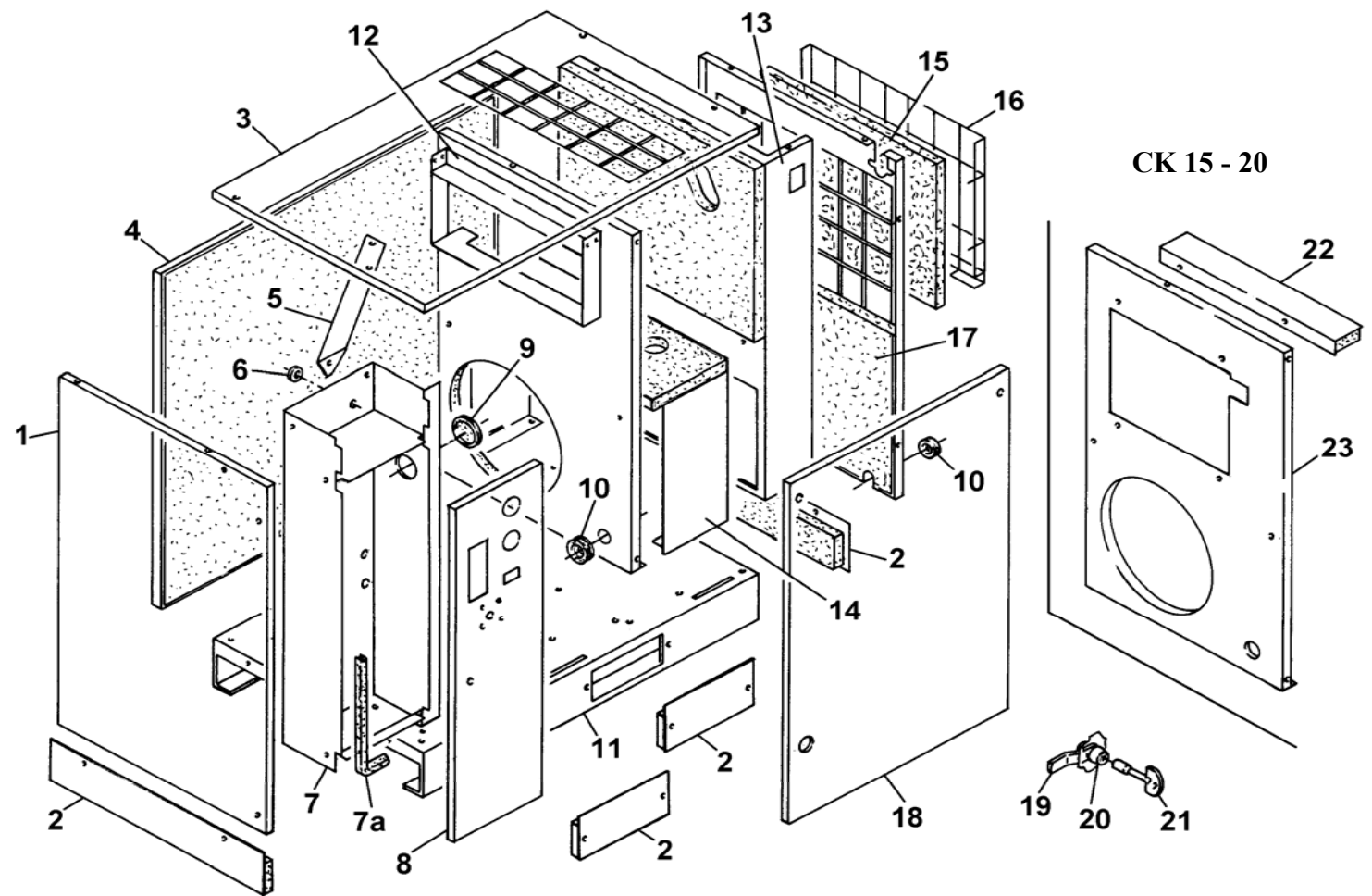
# Spare Part list CK6 - 20



**Version 19-01-2012**



**Drawing 1**

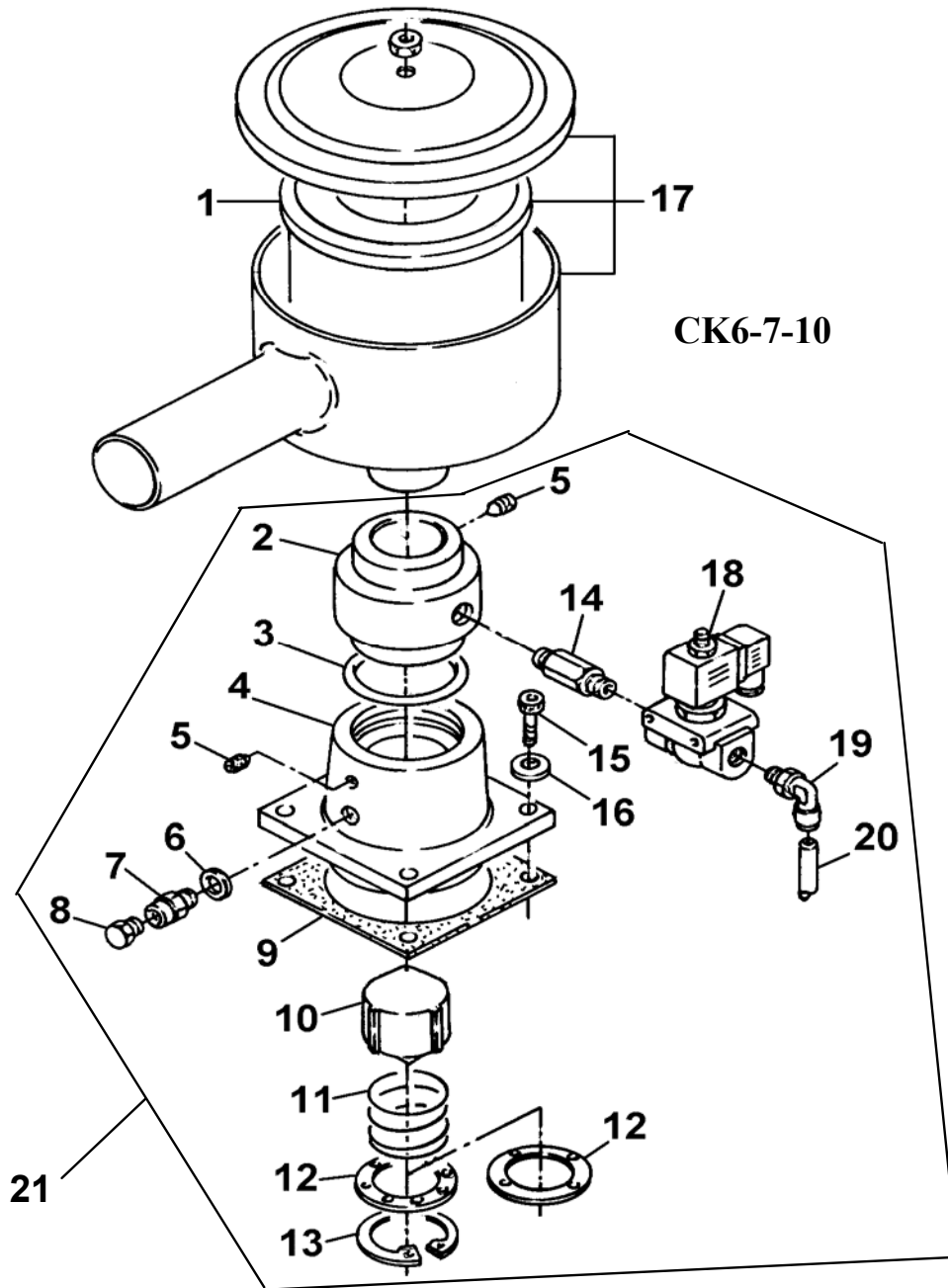


**ASSEMBLY DRAWINGS**

<b>DRAWING NO.</b>	<b>CONTENTS</b>
<b>1</b>	<b>CASING - SOUND-DAMPING PANELS</b>
<b>2</b>	<b>FLOW REGULATOR INTAKE FILTER FOR CK 6 - 7 - 10</b>
<b>3</b>	<b>FLOW REGULATOR INTAKE FILTER FOR CK 15 - 20</b>
<b>4</b>	<b>AIR / OIL TANK - SEPARATOR</b>
<b>5</b>	<b>AIR / OIL COOLER FOR CK 6 - 7 - 10</b>
<b>6</b>	<b>AIR / OIL COOLER FOR CK 15 - 20</b>
<b>7</b>	<b>SCREW COMPRESSOR AND ELECTRIC MOTOR METAL SUPPORT - TRANSMISSION</b>
<b>8</b>	<b>ELECTRIC BOARD CONTROL PANEL</b>

Drawing 1		Casing - Sound - damping panels	
Ref. No.	DESCRIPTION	Part No.	
1	ASSEMBLY PANEL		
2	KITS PANELS		
3	ASSEMBLY COVER		
4	ASSEMBLY PANEL		
5	BRACKET		
6	GASKET		
7	ELECTRIC BOX		
7a	RUBBER SEAL (IN METERS)		
8	DOOR		
9	GASKET		
10	GASKET		
11	CRANK CASE		
13	ASSEMBLY PANEL		
14	ASSEMBLY PANEL		
15	PREFILTER	357999	
16	GRILLE		
17	ASSEMBLY PANEL		
18	ASSEMBLY PANEL		
19	LOCK BRACKET	269011	
20	DOOR LOCK	269011	
21	KEY FOR DOOR LOCK	290186	
22	ASSEMBLY PANEL (only CK15-20)		
23	ASSEMBLY PANEL (only CK15-20)		

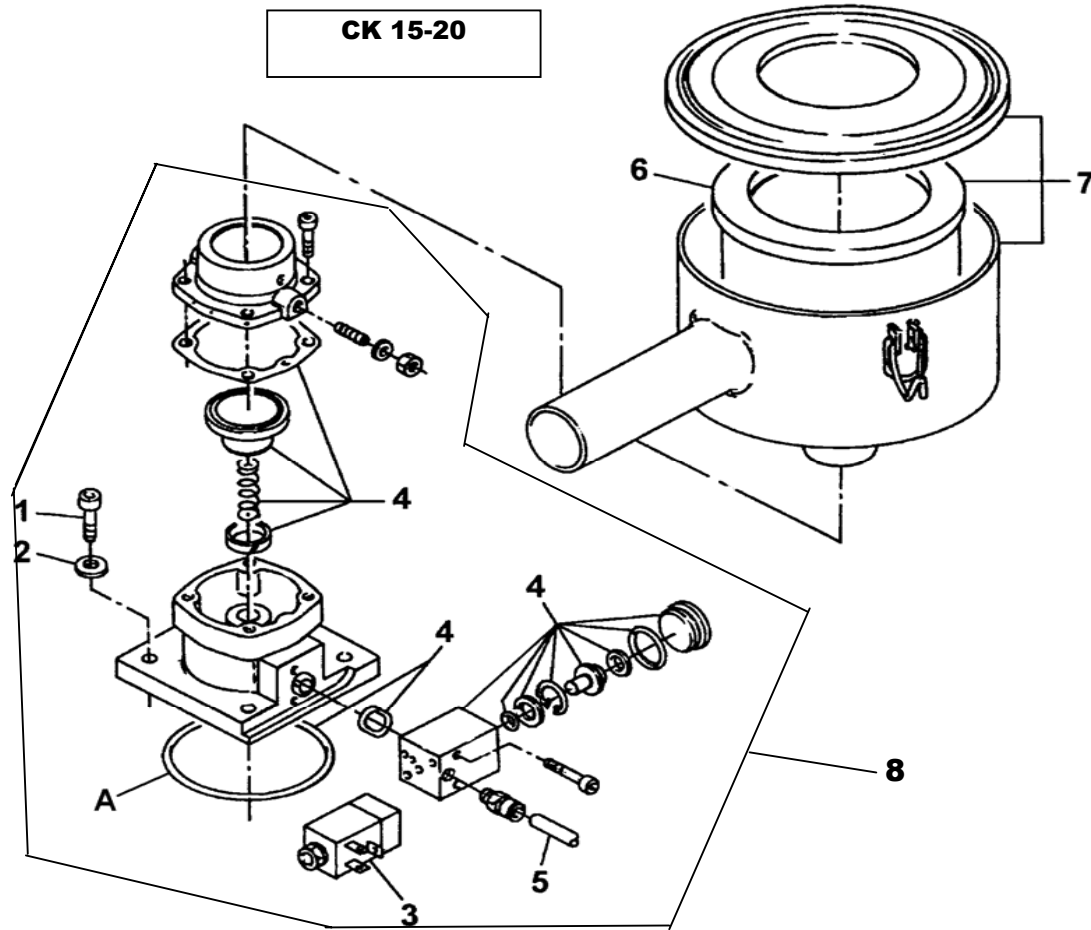
**Drawing 2**



<b>Drawing 2</b>	<b>Flow regulator intake filter for CK 6 - 7 - 10</b>	
<b>Ref. No.</b>	<b>DESCRIPTION</b>	<b>Part No.</b>
1	AIR FILTER	654564
2	INLET ADAPTER	
3	O-RING	
4	VALVE HOUSING	
5	SCREW M6X10	
6	WASHER	
7	REDUCTION	
8	PLUG	
9	GASKET (KIT)	760025
10	PLASTIC SHUTTER (KIT)	760025
11	SPRING (KIT)	760025
12	WASHER LOCK SPRING (KIT)	760025
13	SEEGER RING	
14	NIPPLES	
15	SCREW	
16	WASHER	
17	AIR FILTER ASSEMBLY	
18	SOLENOID VALVE	262286
19	ELBOW UNION	
20	TUBE 10X8	
<b>21</b>	<b>INTAKE VALVE ASSEMBLY</b>	<b>760028</b>

### Drawing 3

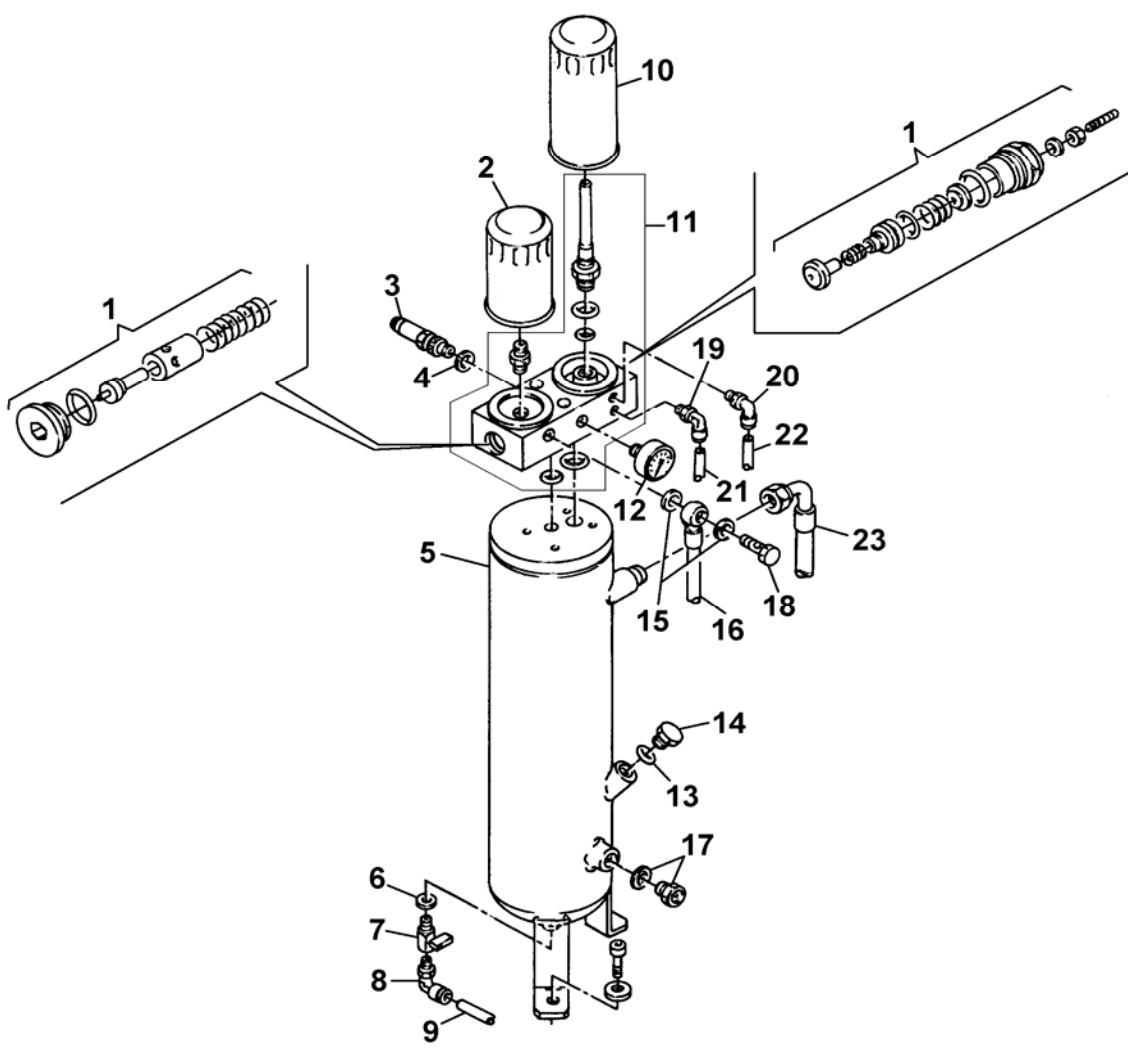
CK 15-20





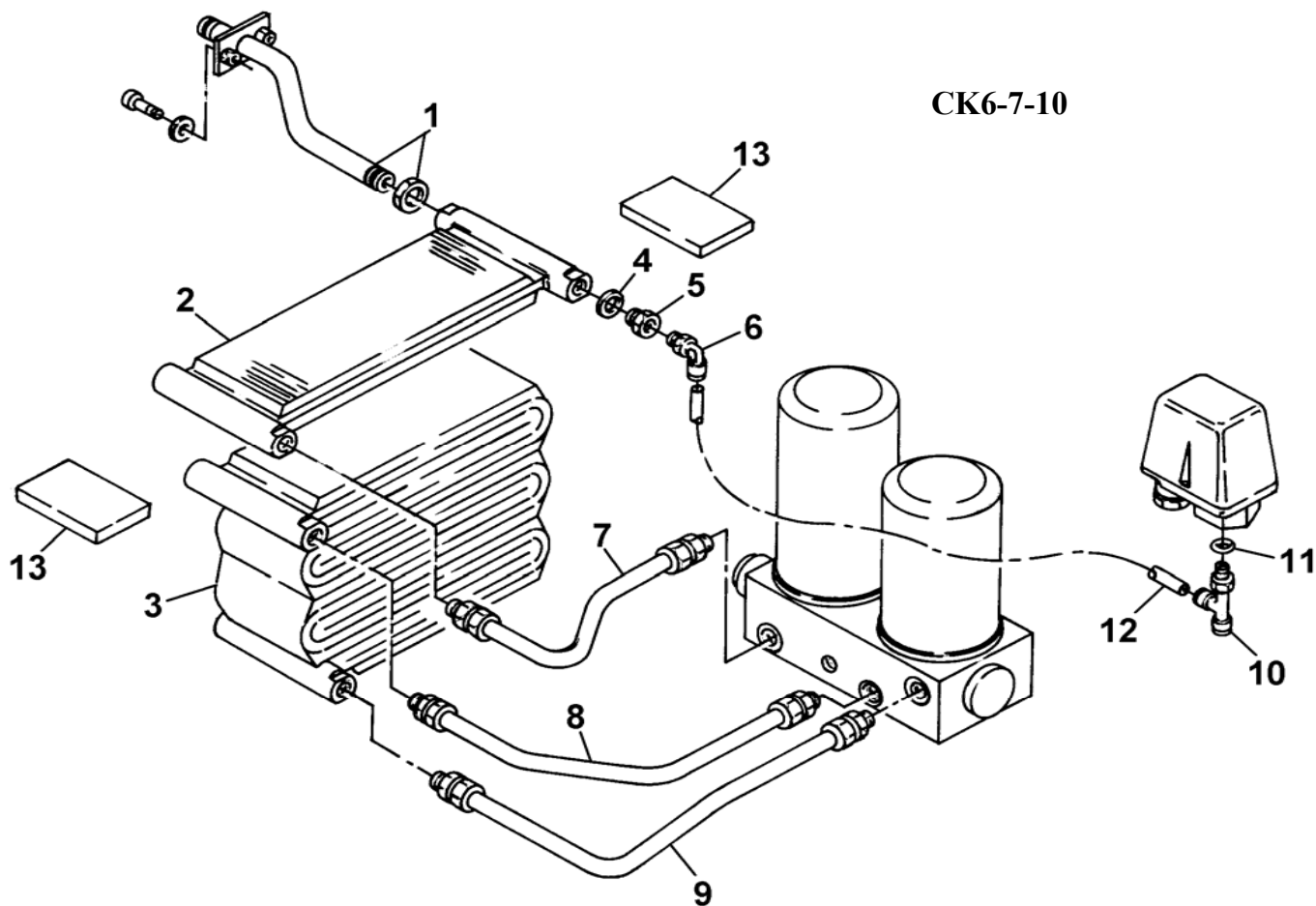
	<b>Drawing 3</b>	<b>Flow regulator intake filter for CK 15 - 20</b>	
	<b>Ref. No.</b>	<b>DESCRIPTION</b>	<b>Part No.</b>
	1	SCREW	
	2	WASHER	
	3	SOLENOID VALVE	262287
	4	INLET VALVE KIT	760026
	5	TUBE 8X6	
	6	AIR FILTER	654565
	7	AIR FILTER ASSEMBLY	
	<b>8</b>	<b>INTAKE VALVE ASSEMBLY</b>	<b>760027</b>

**Drawing 4**



<b>Drawing 4</b>	<b>Air / oil tank - separator</b>	
<b>Ref. No.</b>	<b>DESCRIPTION</b>	<b>Part No.</b>
1	MINIMUM PRESSURE AND THERMOSTATIC VALVES KITS	760005
2	OIL FILTER	640509
3	SAFETY VALVE 3/8" 11,76 BAR, FOR 8-10 BAR	214118
3	SAFETY VALVE 3/8" 14,5 BAR, FOR 13 BAR	214117
4	WASHER	
5	SEPARATOR VESSEL	654582
6	WASHER	
7	DRAIN COCK	
8	ELBOW UNION	
9	TUBE 10X8	
10	SEPARATOR FILTER	640593
11	COMPLETE MINIMUM PRESSURE AND THERMOSTATIC VALVES	654566
12	PRESSURE GAUGE (INTERNAL)	
13	O-RING	269002
14	PLUG	269001
15	WASHER	
16	FLEXIBLE HOSE	654671
17	OIL LEVEL PLUG	
18	SCREW	
19	ELBOW UNION 8mm - 3/8" Turn	269703
20	ELBOW UNION	
21	TUBE 10X8	
22	TUBE 6X4	
23	FLEXIBLE HOSE	654672

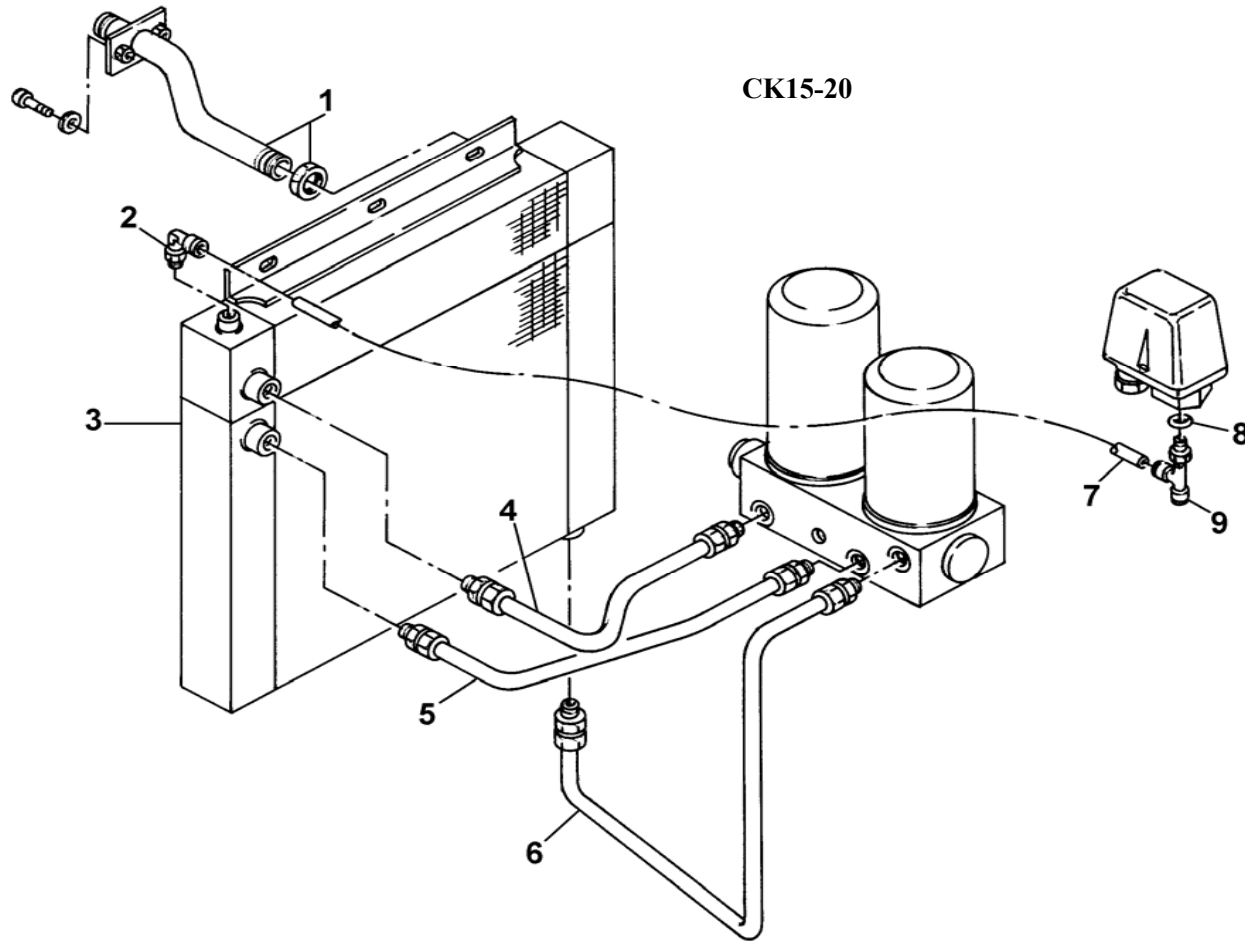
**Drawing 5**



<b>Drawing 5</b>	<b>Air / oil cooler for CK 6 - 7 - 10</b>	
<b>Ref. No.</b>	<b>DESCRIPTION</b>	<b>Part No.</b>
1	CONNECTING PIPE	
2	AIR COOLER 6-7-10	654576
3	OIL COOLER 6-7	
3	OIL COOLER 10	654575
4	WASHER	
5	REDUCTION	
6	ELBOW UNION	
7	CONNECTING PIPE	
8	CONNECTING PIPE	
9	CONNECTING PIPE	
10	TEE CONNECTION	
11	O-RING	
12	TUBE 6X4	
13	SOUND-DAMPING COMPONENTS	

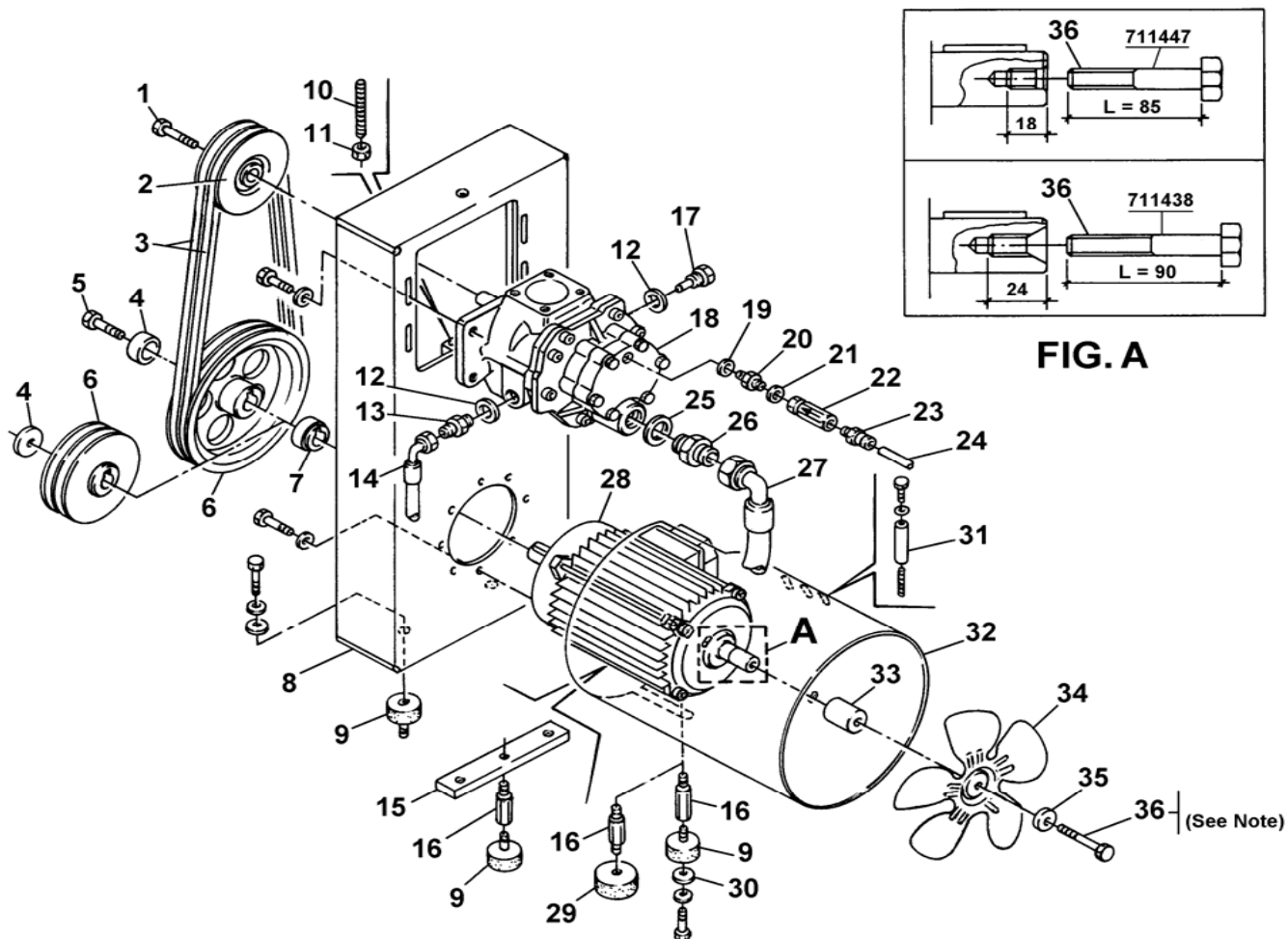
**Drawing 6**

CK15-20



	<b>Drawing 6</b>	<b>Air / oil cooler for CK 15 - 20</b>	
	<b>Ref. No.</b>	<b>DESCRIPTION</b>	<b>Part No.</b>
	1	CONNECTING HOSE	654673
	2	ELBOW UNION	
	3	AIR-OIL COOLER CK15	654573
	3	AIR-OIL COOLER CK20	654574
	4	CONNECTING PIPE	
	5	CONNECTING PIPE	
	6	CONNECTING PIPE	
	7	TUBE 6X4	
	8	O-RING	
	9	TEE CONNECTION	

**Drawing 7**



**FIG. A**

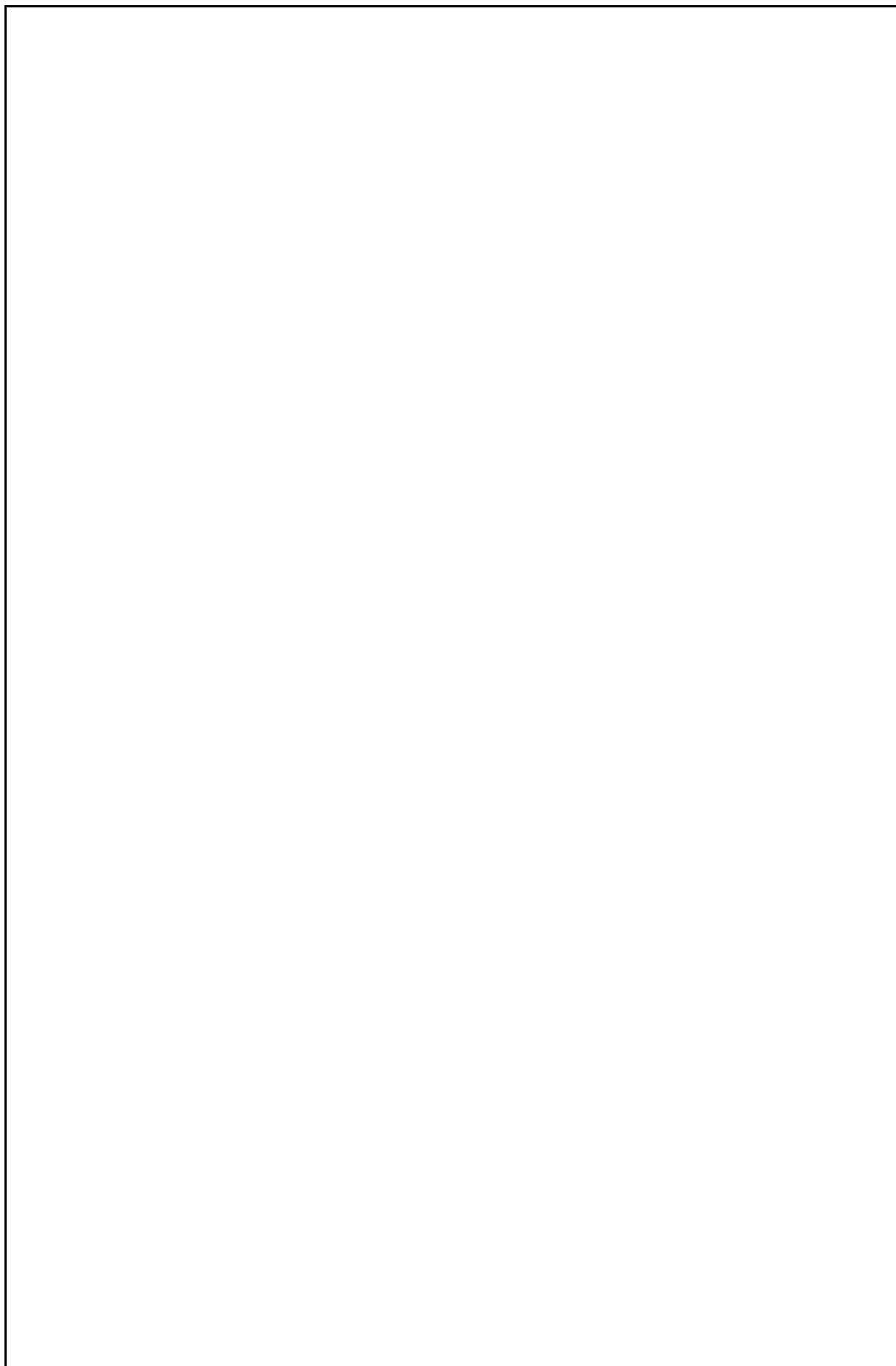
(See Note)



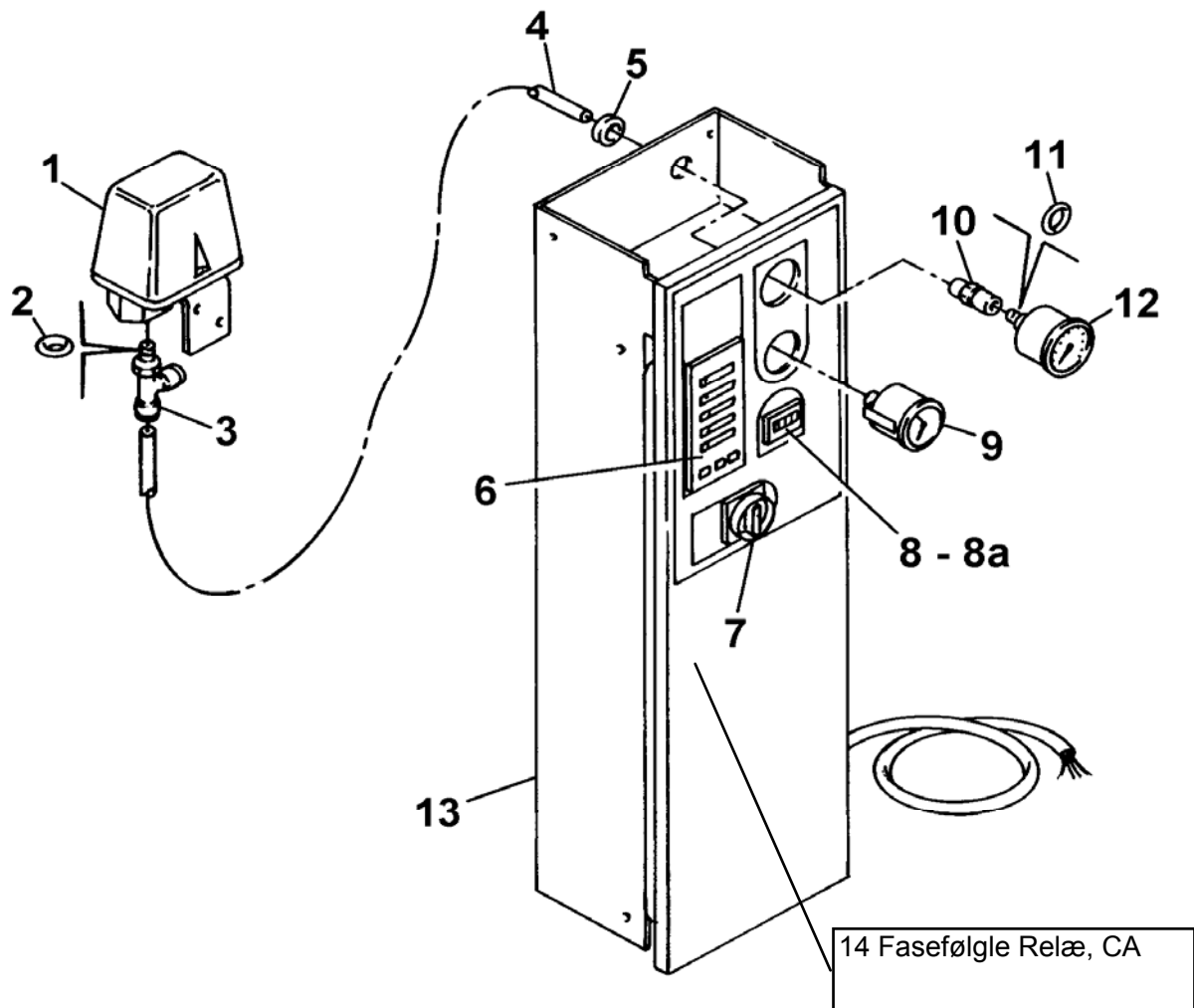
Drawing 7		Screw compressor and electric motor metal support - Transmission	
Ref. No.	DESCRIPTION	Part No.	
1	SCREW	654668	
2	AIR END PULLEY CK7-10-15	210967	
2	AIR END PULLEY CK20	210864	
3	V-BELTS CK6-8, CK7-8, CK10-13	210845	
3	V-BELTS CK20-8	210849	
3	V-BELTS CK6-10, CK7-10	210854	
3	V-BELTS CK15-8	210857	
3	V-BELTS CK10-10, CK20-13	210858	
3	V-BELTS CK10-8, CK15-10/13, CK20-10	210872	
4	WASHER		
5	SCREW		
6	MOTOR PULLEY		
7	SPACER		
8	BRACKET		
9	PUFFER		
10	SCREW		
11	NUT		
12	WASHER		
13	NIPPLES		
14	FLEXIBLE TUBE	654671	
15	BRACKET		
16	SPACER		
17	UNION		
18	AIR END	654665	
19	WASHER		
20	NIPPLES		
21	WASHER		
22	NON RETURN VALVE		
23	UNION		
24	TUBE 6X4		
AIR END, SHAFT SEAL KIT		654667	
INCL. FLANGE, OIL SEAL, O-RING, BUSING			

<b>Drawing 7</b>		<b>Screw compressor and electric motor metal support - Transmission</b>	
<b>Ref. No.</b>	<b>DESCRIPTION</b>	<b>Part No.</b>	
25	WASHER		
26	NIPPLES		
27	FLEXIBLE HOSE	654672	
28	ELECTRIC MOTOR 4KW - 6HP		
28	ELECTRIC MOTOR 5,5KW - 7,5HP	260853	
28	ELECTRIC MOTOR 7,5KW - 10HP	260854	
28	ELECTRIC MOTOR 11KW - 15HP	260855	
28	ELECTRIC MOTOR 15KW - 20HP	260856	
30	WASHER		
31	SPACER		
32	CONVEYOR		
33	SPACER		
34	FAN	318830	
35	WASHER		
36	SCREW (SEE NOTE)		

Note.: in case of replacement of Ref. 36,  
pay attention on what specified on Fig. A.



# Drawing 8



<b>Drawing 8</b>	<b>Electric board control panel</b>	
<b>Ref. No.</b>	<b>DESCRIPTION</b>	<b>Part No.</b>
1	PRESSURE SWITCH	262245
2	O-RING	
3	TEE CONNECTION	
4	TUBE 6X4	
5	GASKET	
6	ELECTRONIC CARD	746277
7	ISOLATING SWITCH	
8	HOUR COUNTER 24V 50HZ	263659
9	TEMPERATURE SWITCH	264684
10	UNION	
11	O-RING	
12	PRESSURE GAUGE	213559
13	COMPLETE ELECTRIC BOARD	
14	3 Phase Sequence Relay	269154