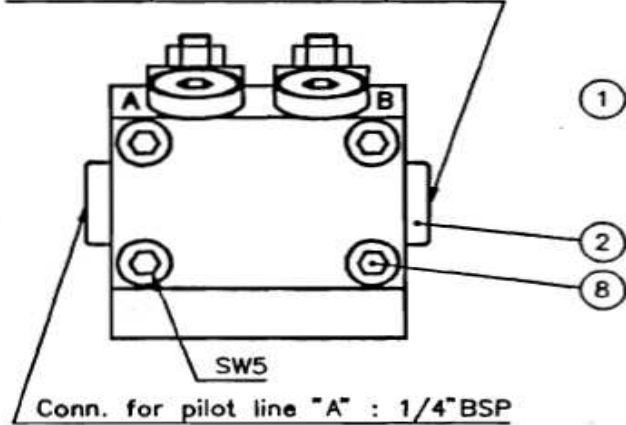


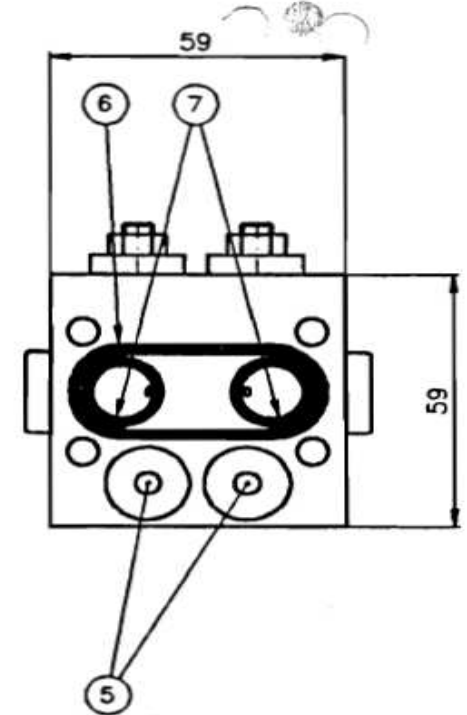
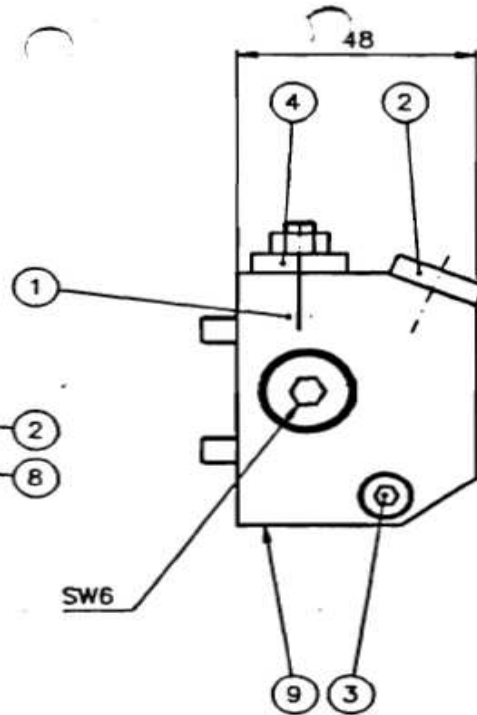


Best Engineering (Service Division) Ltd

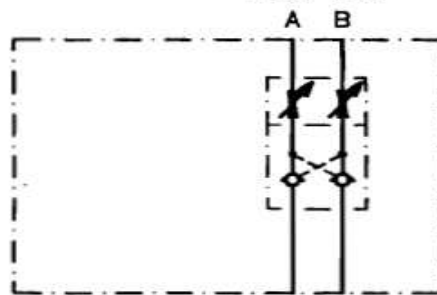
Conn. for pilot line "B" : 1/4" BSP



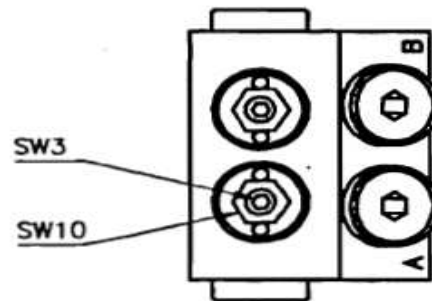
Conn. for pilot line "A" : 1/4" BSP



PILOT LINE



ACTUATOR



This print is the property of N.M.H. and is provided on a restricted basis. It is not to be copied, transferred or otherwise made available to any unauthorized person.		ALT.	DATE	BY	CHECK	ISSUE
DESCRIPTION						
BLOCK 2-C-M-DPDR-DTH-MS						
NORDISK MARINE HYDRAULIK DANMARK A/S						
Mørkebuvej 8 - DK-4700 Nørsted TM. 85771800 - Telex 40124 - Fax 85773177						
PAGE 3-25						
DRWG. NO.: 024D704						

PARTSLIST.

ID-No....:024-7041

Page....:3-26

Block 2-C-M-DPNR-DTH-MS

Date....:930107

By.....:KNUD

Pos	ID-No.	Description/Dim.	Num.	Unit	Remarks
	024D7041	Ass.Dwg.		Pcs	
1	024F7231	Block	1	Pcs	
2	024-9751	Plug VSHR 1/4" BSP-EO	4	Pcs	
3	019-3861	Cartridge, DPNR	1	Pcs	
4	021-8901	Throttle cartridge	2	Pcs	
5	024-7421	Plug f. relief cartridge	2	Pcs	
6	304-0371	O-ring ø 37,1*1,6 NBR	1	Pcs	
7	304-0131	O-ring ø 13,1*1,6 NBR	2	Pcs	
8	403-3050	Screw M6*50 A4 DIN 912	4	Pcs	
9	546-0040	Expander ø4	2	Pcs	