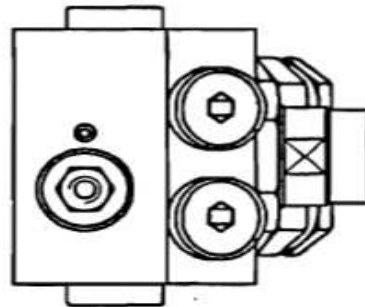
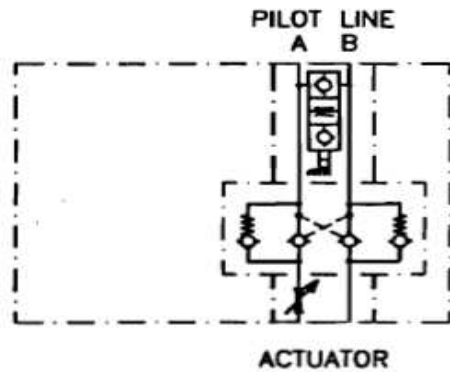
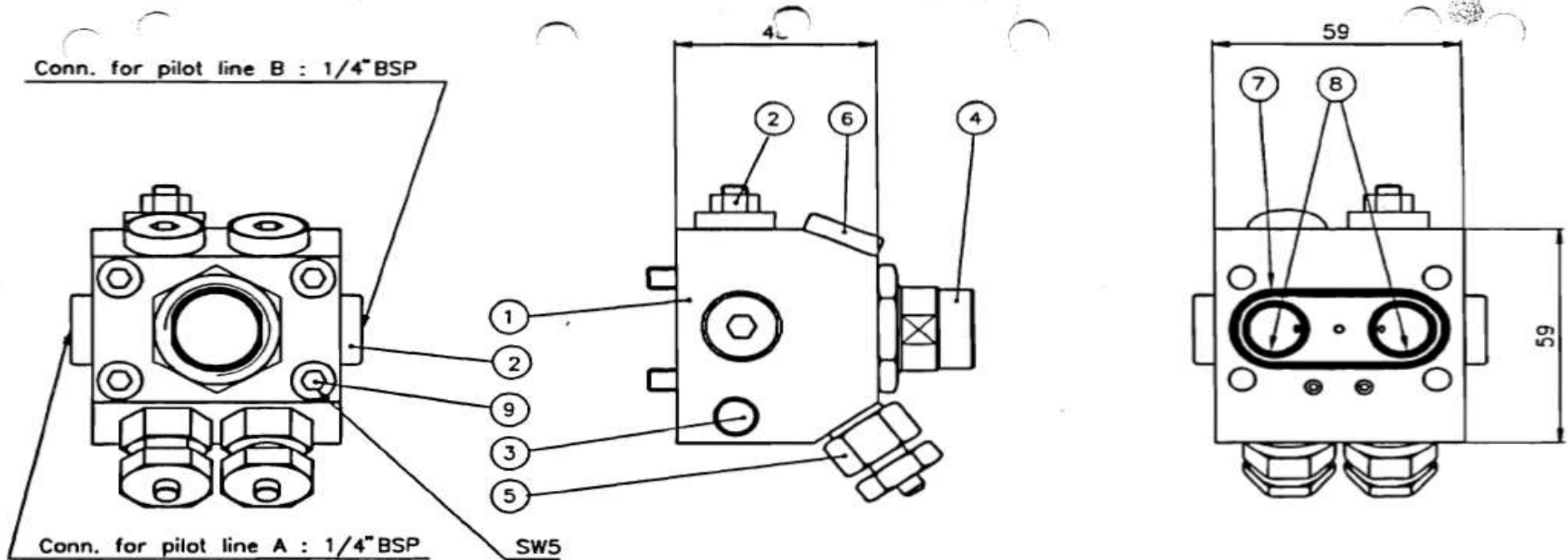




Best Engineering (Service Division) Ltd



This print is the property of NLMJL and is provided on a restricted basis. It is not to be copied, transferred or otherwise made available to any unauthorized person.

ALTR.	DATE	BY	CHECK	ISSUE

DESCRIPTION
BLOCK
2-C-DP NR-TH-DR-BP-MS

NORDISK MARINE HYDRAULIK
DANMARK A/S

Morøbsvej 8 - DK-4700 Næstved
TM. 55771800 - Telex 40124 - Fax 55773177

938923 LHC
PAGE 3-21
0230890x

PARTSLIST.

ID-No....:023-8901

Page....:3-22

Block 2-C-DPNR-TH-DR-MS-BP

Date....:920828

By.....:BNH

Pos	ID-No.	Description/Dim.	Num.	Unit	Remarks
	023D8901	Ass. drwg.		Pcs	
1	023F7521	Block	1	Pcs	
2	021-8901	Throttle cartridge	1	Pcs	
3	019-3861	Cartridge, DPNR	1	Pcs	
4	017-9582	Cartridge,BP valve	1	Pcs	
5	014-9431	Release Valve Cartridge	2	Pcs	
6	024-9751	Plug VSHR 1/4" BSP-EO	2	Pcs	
7	304-0371	O-ring ϕ 37,1*1,6 NBR	1	Pcs	
8	304-0131	O-ring ϕ 13,1*1,6 NBR	2	Pcs	
9	403-3050	Screw M6*50 A4 DIN 912	4	Pcs	
10	546-0040	Expander ϕ 4	3	Pcs	
11	548-0100	Ball ϕ 10	1	Pcs	
12	024-9751	Blanking end VS-R-1/4"-WD	2	Pcs	