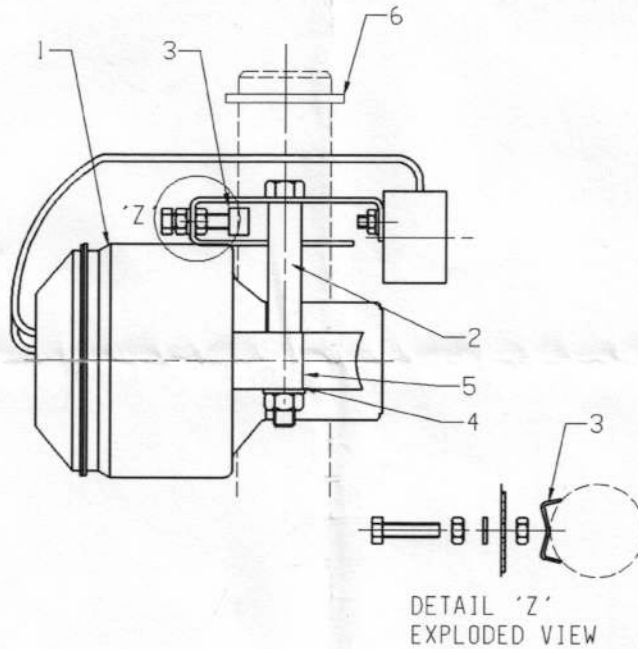


RECOMMENDED SPARE KITS FOR 1 YEARS OPERATION					
NUMBER OF CONTROLS ON SITE					
PACK	ONE	TWO OR MORE	PACK	ONE	TWO OR MORE
SK181	1	1			

SPARE SWITCH KIT FOR
VERTICAL LEVEL CONTROLS
FITTED WITH SWITCH MECHANISM
TYPES: H4

ITEM DESCRIPTION	QTY.	PER
1 SWITCH UNIT ASSEMBLY	1	
2 MOUNTING PILLAR	1	
3 SWITCH BRACKET INSERT	1	
4 NUT, M5	1	
5 WASHER, M5 DOUBLE COIL	1	
6 GROOVELESS FASTENER	1	



DETAIL 'Z'
EXPLODED VIEW

SEE LEAFLET No. L1822
SWITCH MECHANISM INSTALLATION PROCEDURE

KIT	DESCRIPTION	ITEMS IN KIT	USED ON
SK181	SWITCH	1.2.3.4.5.6	H4
ISSUE	DATE	MOBREY	
	7/7/2001	DRG. No. SKD26	