

Mobrey

Series 8200,8240 & 8242

Electrical Indicators

Models:

8200 General purpose

8240, 8242 DIN style

Features

- Accuracy +/- 1.0%
- Clear, easy to read scales
Calibrated to suit your installation
- 8200 suitable for
intrinsically safe circuits

Description

These indicators, together with an integrated electronic level or pressure transmitter and a power supply unit, form a complete system for accurate tank contents or liquid level measurement.

These indicators may be used as the primary indicator, or alternatively as remote units at remote stations or fill points etc.

The 8200 and the 8240 are available in a wall mounted or panel mounted options with the 8242 series being panel mounted only.

The scales of these indicators may be graduated in any units of volume, weight or depth with wording to suit your requirements.



Technical specification sheet

0003

February 2007

Level

Specifications - 8200 Series

Operational data (reference conditions)

Current ranges:	0 to 1 mA, 0-10mA, 4-20mA
Pointer deflection:	240 Degrees
Zero adjustment:	Mechanical, on front window
Scale length:	286mm
Input resistance:	(0-1mA) 136 ohms \pm 10% (0-10mA) 3.2 ohms \pm 10% (4-20mA) 4.7ohms \pm 10%
Weatherproof protection:	IP65
Operating temperature:	-10 to +60°C
Humidity:	5 to 95% RH

Performance data

Accuracy:	Max error < +/-1.0% of calibrated span including effects of linearity and hysteresis
Ambient temp. effects:	Temperature coefficient < 0.06% per degree C
Approvals:	Simple apparatus for an intrinsically safe circuit
Mounting position effect:	< 1.0% for a 45 degree change from vertical

Construction Data

Materials:	Polyester housing with Bezel and window polycarbonate
Weight:	1.1kg
Calibration:	Calibrated to customers specified span at ambient temperature
Electrical connections:	M5 studs (panel mounted option) Terminal block with cable gland (wall mounted option)

Specifications - 8240 Series & 8242 Series

Operational data (reference conditions)

Current ranges:	0 to 1 mA (8240) 4-20mA (8242)
Pointer deflection:	240 Degrees
Scale length:	145mm
Input resistance:	415 ohms +/- 10% (8240) 6 ohms +/- 10% (8242)
Weatherproof protection:	IP54 (8240) IP52 (8242)
Operating temperature:	0 to +50°C (8240) -20 to +40°C (8242)

Performance data

Accuracy:	Max error < +/-1.0% of calibrated span including effects of linearity and hysteresis
Ambient temp. effects:	Temperature coefficient < 0.01% per degree C
Approvals:	None
Mounting position effect:	The indicator to be mounted vertically within +/- 2 Degrees

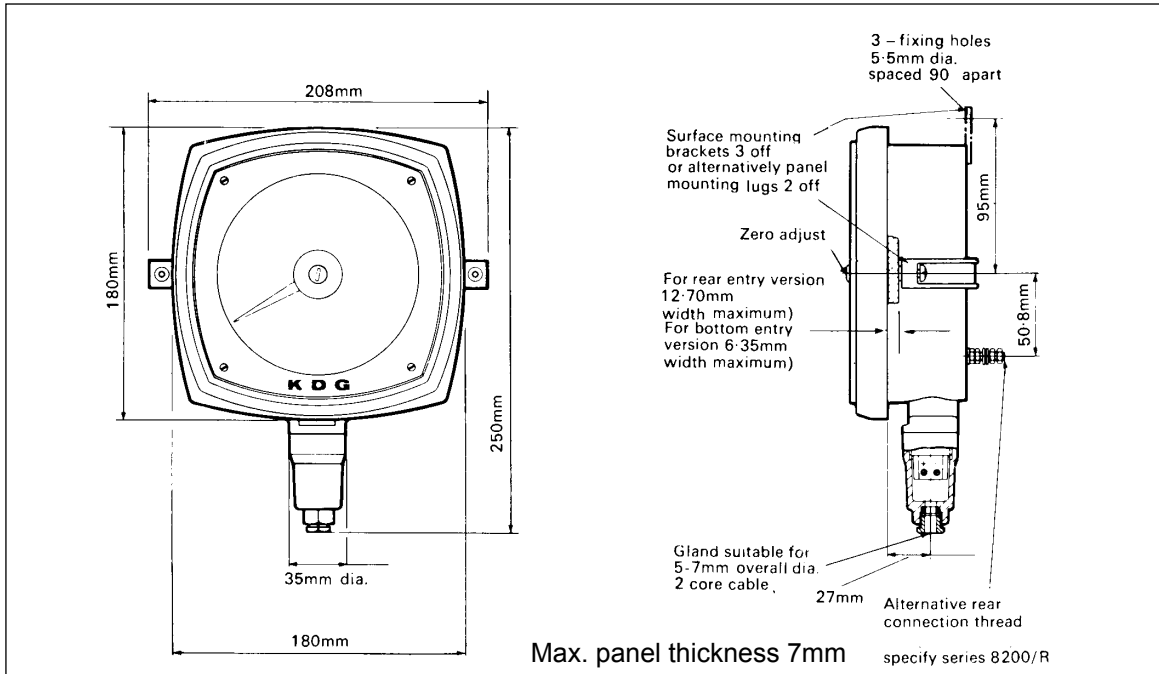
Construction Data

Materials:	ABS front & rear bezel, Acrylic window, Mild steel casing (8240) ABS front & rear bezel, Acrylic window, ABS casing (8242)
Weight:	0.5kg (8240)
Calibration:	Calibrated to customers specified span at ambient temperature
Electrical connections:	3.5mm jack plugs (8240) 3mm screw terminals (8242)

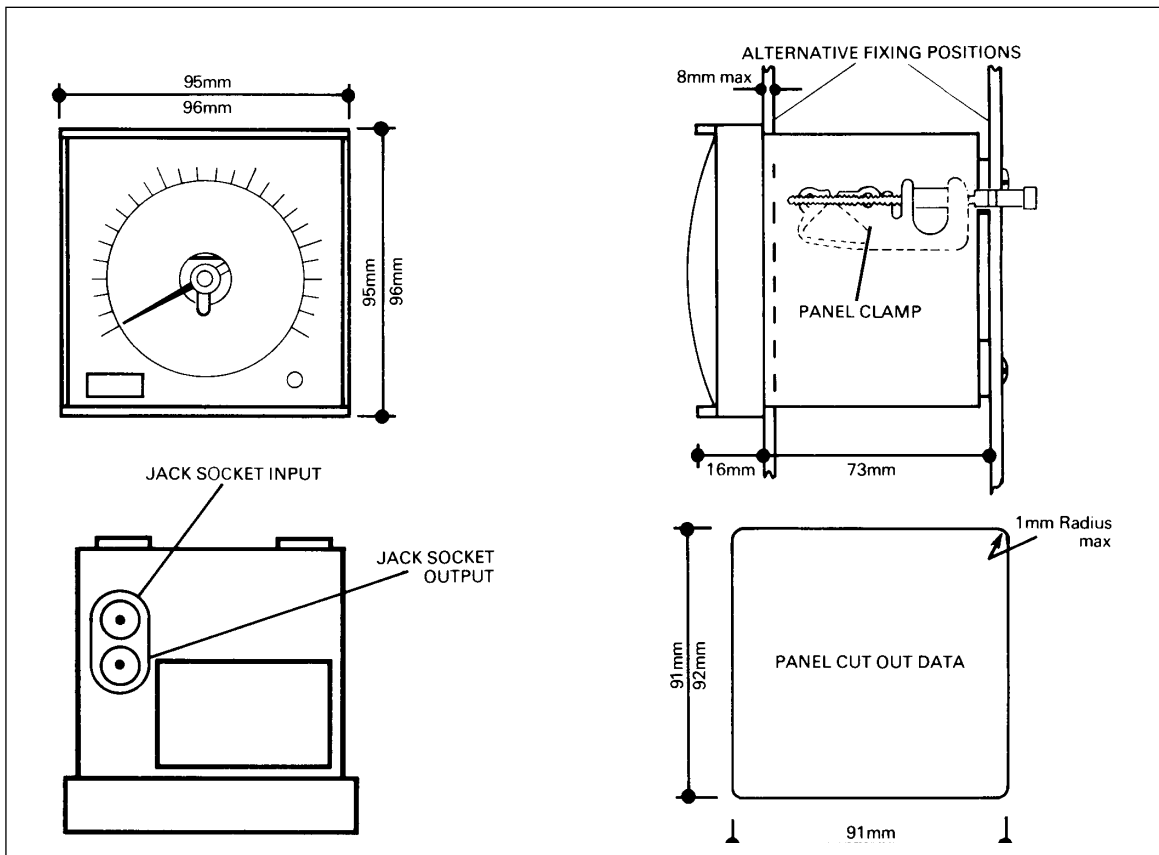
Level

Outline / Installation Dimensions

8200



8240



Level

Ordering information

Model	Code	Sensitivity	Mounting	Electrical Connection	IP Rating
8200	D	0 - 1mA	Wall	Cable gland	IP65
	E	0 - 1mA	Panel	Tear terminals	IP65
	F	0 - 10mA	Wall	Cable gland	IP65
	G	0 - 10mA	Panel	Tear terminals	IP65
	H	4 - 20mA	Wall	Cable gland	IP65
	J	4 - 20mA	Panel	Tear terminals	IP65



8200	D	For Calibration Options refer to sales			
-------------	----------	--	--	--	--

Model	Code	Sensitivity	Mounting	Electrical Connection	IP Rating
8240	B	0 - 1mA	Panel	Jack socket	IP54
	C	0 - 1mA	Wall	Jack socket	IP54



8240	B	For Calibration Options refer to sales			
-------------	----------	--	--	--	--

Model	Code	Sensitivity	Mounting	Electrical Connection	IP Rating
8242	001	4 - 20mA	Panel	Screw terminal	IP52



8242	001	For Calibration Options refer to sales			
-------------	------------	--	--	--	--

The Emerson logo is a trade mark and service mark of Emerson Electric Co.
 Mobrey is a registered trademark of Mobrey Ltd.
 All other marks are the property of their respective owners
 We reserve the right to modify or improve the designs or specifications of product and services at any time without notice.

International:
Emerson Process Management
Mobrey Measurement
 158 Edinburgh Avenue,
 Slough, Berks, SL1 4UE, UK
 T +44 1753 756600
 F +44 1753 823589
 www.mobrey.com



The right is reserved to amend details given in this publication without notice

