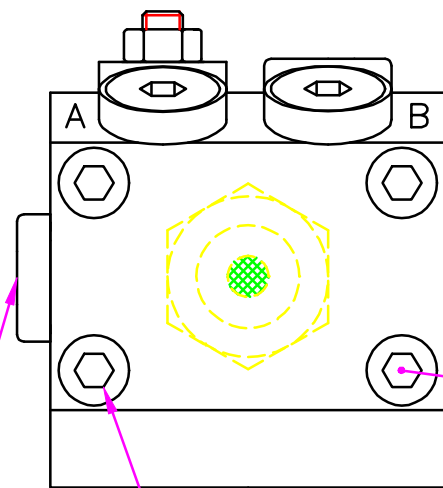


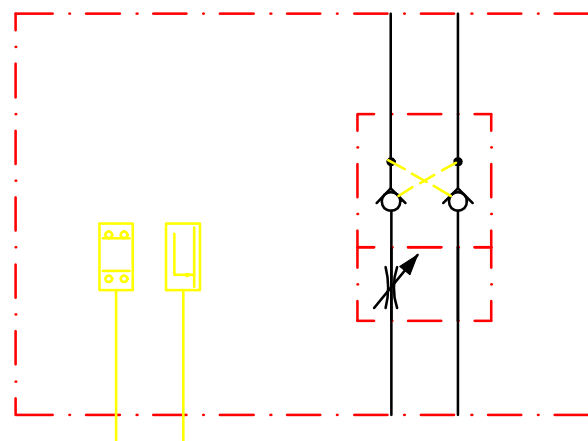
Conn. for pilot line "B" : 1/4"BSP



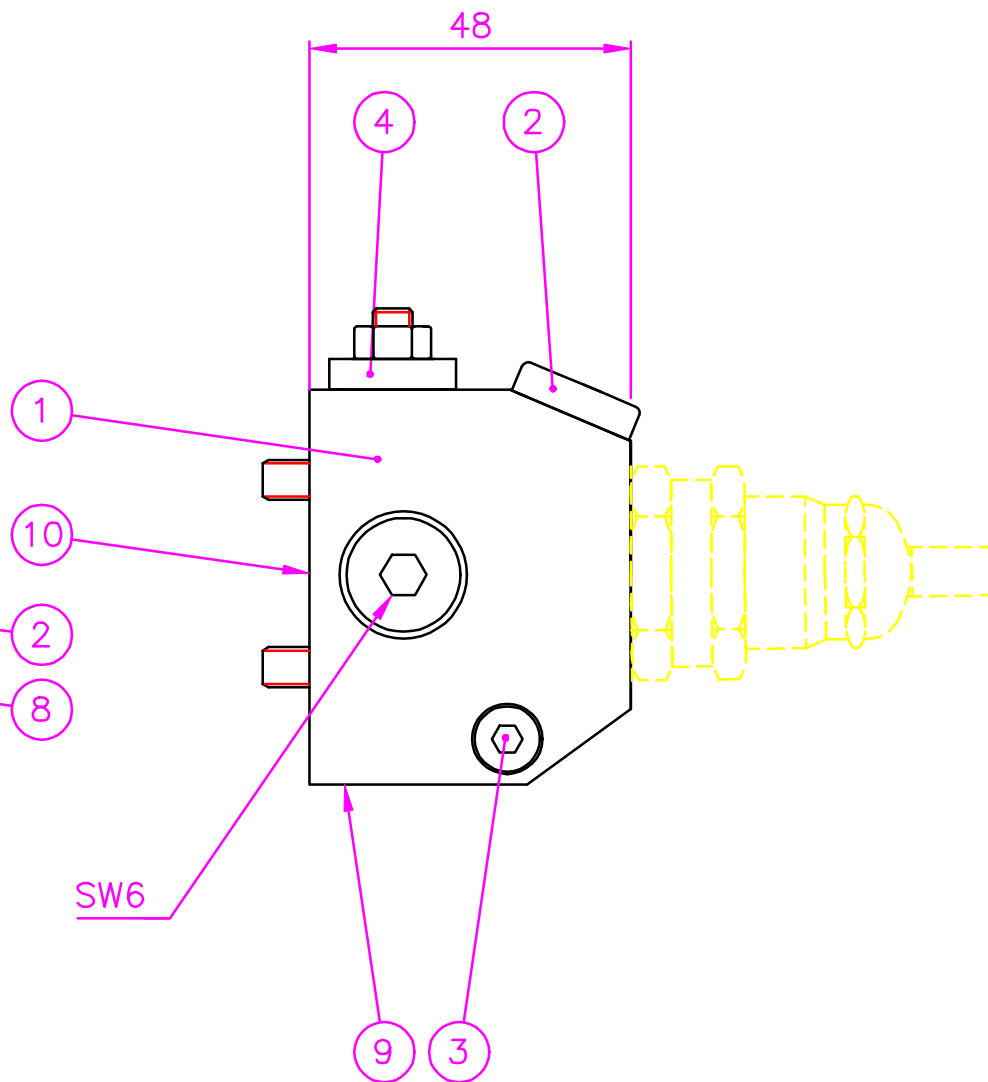
SW5

Conn. for pilot line "A" : 1/4"BSP

PILOT LINE
A B



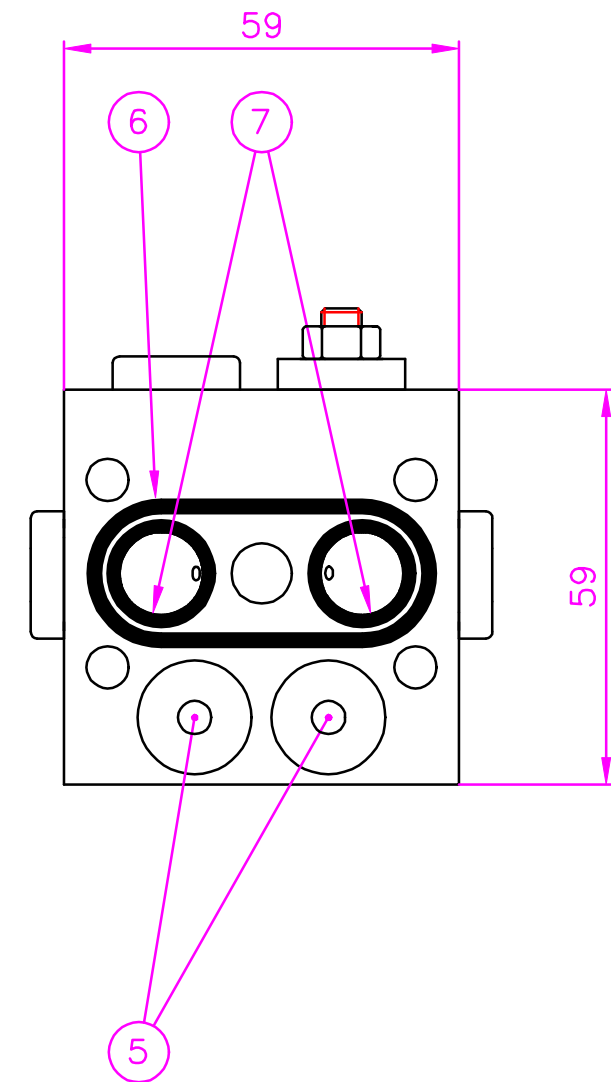
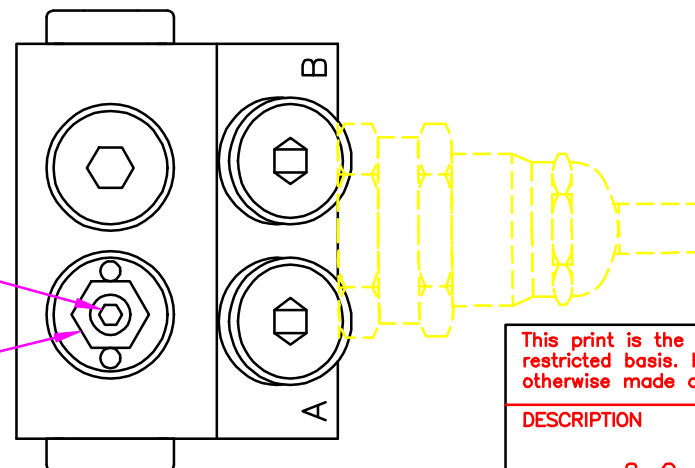
ACTUATOR




SW6

SW3

SW10



| | | | | | |
|---|---------------------------------|------------|---------|-------|-------|
| This print is the property of N.M.H. and is provided on a restricted basis. It is not to be copied, transferred or otherwise made available to any unauthorized person. | ALTR. | DATE | BY | CHECK | ISSUE |
| | | | | | |
| DESCRIPTION | BLOCK 2-C-DPNR-TH-MS-(SW/PM) | | | | |
|  NORDISK MARINE HYDRAULIK DANMARK A/S Marinebuen 6 - DK-4700 N?stved Tlf. 55771800 - Telex 40124 - Fax 55773177 | 930812 | CH | | | 1 |
| | PAGE | DRWG. NO.: | 024D391 | | |