



KC
**Hydraulic linear
double-acting actuator
for operation of globe valves**

Data sheet
KC Hydraulic linear double-acting actuator for operation of globe valves
Basic design:

This linear double-acting actuator is designed to operate in a 2-line system. Transformation of the linear piston movement to the indicator shaft rotation is established through a helical groove in the indicator shaft and a pin fixed to the hollow piston rod.

Sealing between the actuator and the valve system is established by two O-rings.

To prevent mixing of hydraulic liquid and the liquid from the valve system a small hole is placed between the two O-rings.

Standard optionals:

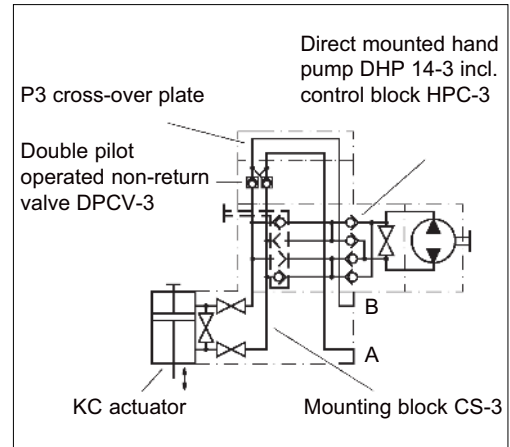
- On/off indication IP 68
- Continuous indication IP 68
- Submersion cover
- Epoxy coating
- Built on emergency operation hand pump

Actuator mounted control equipment:

See separate data sheets for the whole range of blocks and other actuator mounted control components.

Hydraulic operation:

Port "A" pressurized: Valve is closed
 Port "B" pressurized: Valve is open



Example of actuator mounted control equipment.

Main specifications:

Actuator type:	KC 12	KC 22	KC 32	KC 42	KC 52	KC 62	KC 72	KC 92
Closing thrust N at 135bar:	20,900	20,900	57,000	57,000	57,000	88,300	143,900	277,800
Oil displacement at full stroke, cm ³ :	26	41	168	224	280	692	1414	3240
Total dry weight, kg:	8	8	18	18	18	45	60	150
Max. working pressure:	135 bar							
Temperature range:	-20°C to 80°C or 4°F to 176°F							
Hydraulic media and viscosity:	We recommend acid-free hydraulic oil.							
Viscosity range: to	15-200 cSt. For recommended brands and for other media than oil please refer separate data sheet.							

Materials:

Housing and indicator house:	GGG 40
Piston:	GGG 40
Spindle:	SS 2383
Stop bush:	MS 58
Bushing:	MS 58
Coating:	
Primer:	Min. 40 micron epoxy ester
Top coat:	Min. 25 micron alkyd, red

Classification:

Meets the requirements from the major classification and approval authorities like:

Det Norske Veritas
 Lloyd's Register of Shipping
 American Bureau of Shipping
 Russian Register of Shipping
 Bureau Veritas
 Germanischer Lloyd
 U.S. Coast Guard

Data sheet
KC Hydraulic linear double-acting actuator for operation of globe valves
Manufacture:

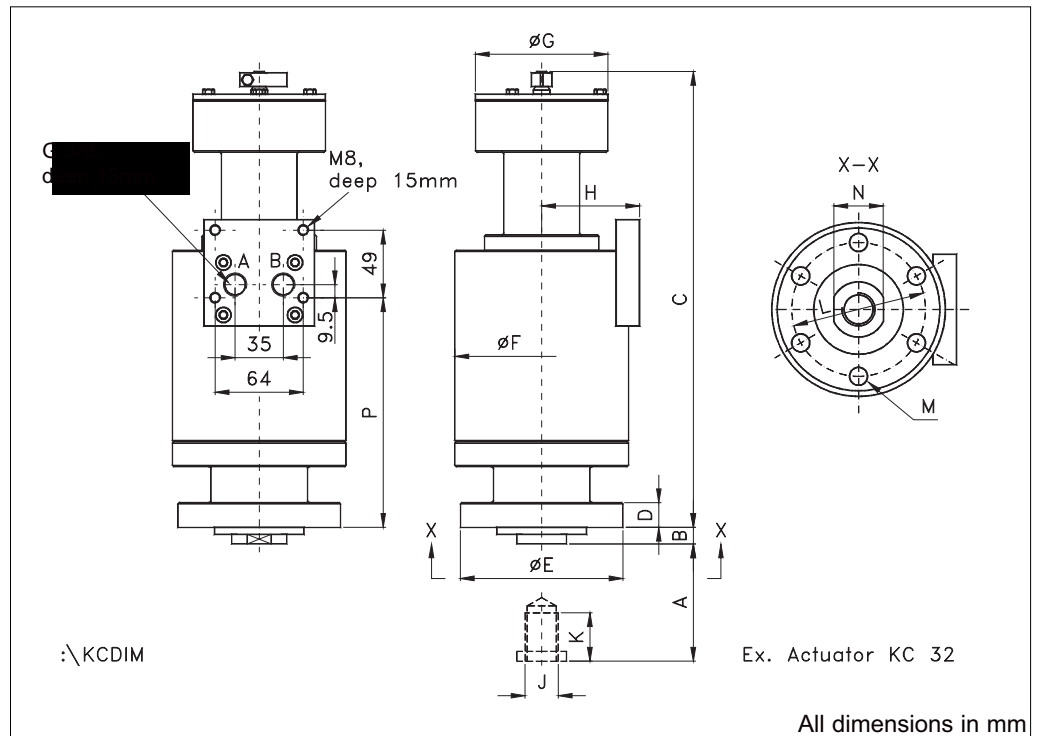
The KC actuators are manufactured in accordance with the guidelines for quality system stated in the American standard ANSI/ASQC Z-1.15.

After assembly each actuator is flushed to NAS 1638/10 standard and plugged. Flushing to NAS 1648/7 standard can be performed on request.

Operation restrictions:

Please observe specific rules and demands from classification societies and authorities concerning operation pressure and temperature range.

(Example - ABS: Max. operating pressure = 20% of burst pressure.)

Main dimensions:


Actuator type:	KC 12	KC 22	KC 32	KC 42	KC 52	KC 62	KC 72	KC 92
A stroke:	16.0	25.0	37.5	50.0	62.5	100.0	125.0	150.0
B	12	12	14	14	14	15	17	24
C	229	229	327	327	327	418	492	700
D	11	11	18	18	18	20	22	30
E	76	76	118	118	118	143	168	235
F	92	92	126	126	126	152	192	260
G	96	96	96	96	96	96	96	96
H	52	52	71	71	71	82	102	122
J	M16	M16	M24	M24	M24	M30	M38x1.5	M50X2
K	28	28	35	35	35	45	55	70
L	62	62	97	97	97	122	138	195
M	4x8.5	4x8.5	6x13	6x13	6x13	8x13	8x18	8x22
N	27	27	36	36	36	41	50	70
P	105.5	105.5	166.5	166.5	166.5	211.5	255.5	311.0

Damcos can accept no responsibility for possible errors in catalogues, brochures and other printed material. Damcos reserves the right to alter its products without notice. This also applies to products already on order provided that such alterations can be made without subsequential changes being necessary in specifications already agreed. All trademarks in this material are property of the respective companies. Damcos and the Damcos logotype are trademarks of Damcos A/S. All rights reserved.