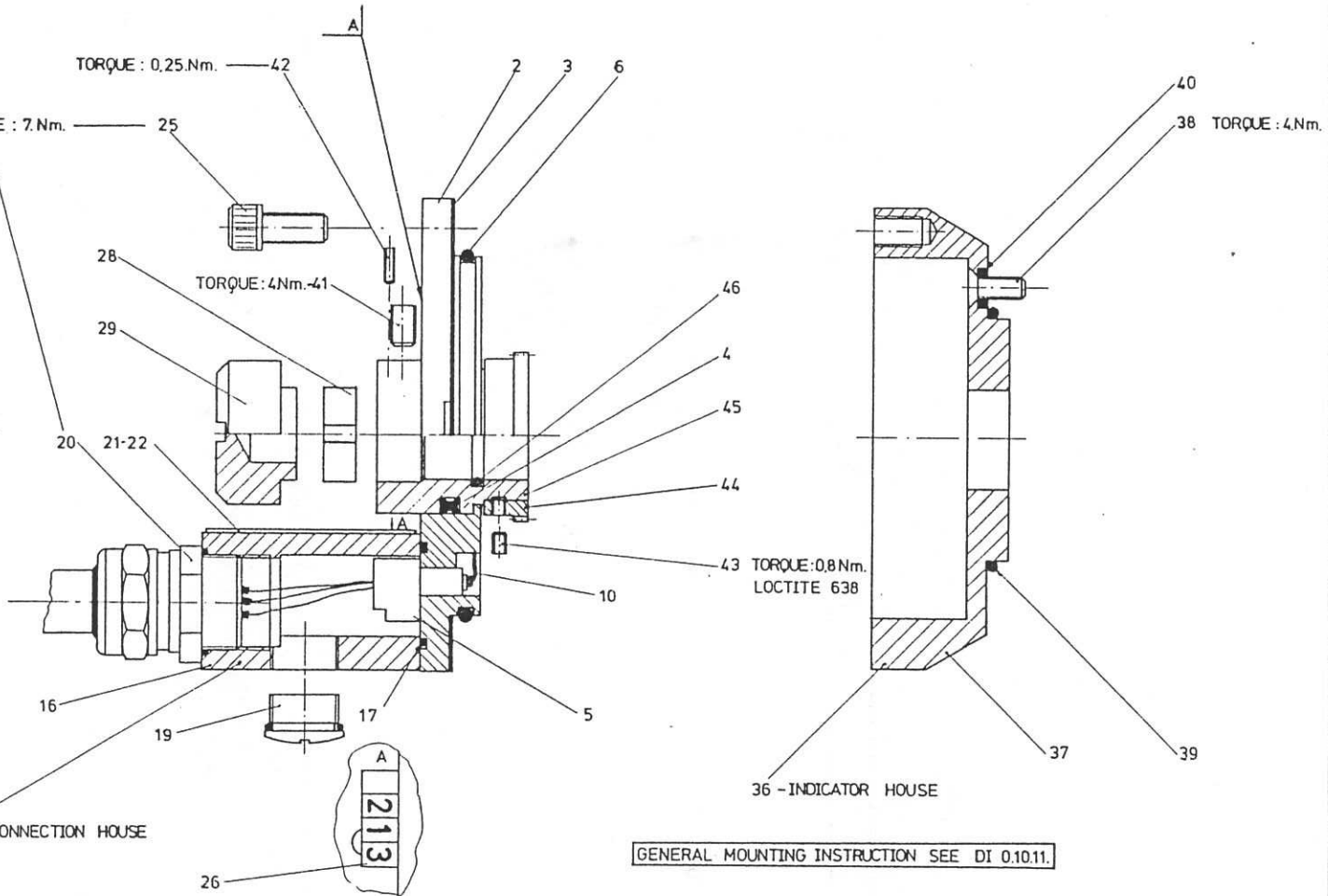
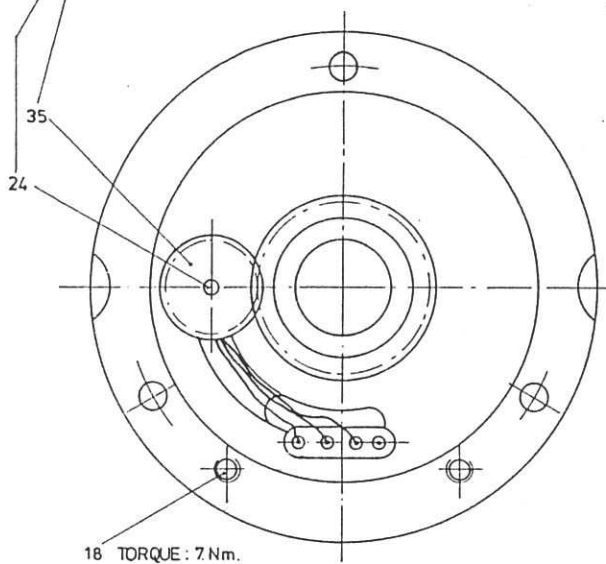
 <b>DANFOSS SYSTEM HYDRAULIK A/S</b>	<b>PARTS-, SPARE PARTS, &amp; MATERIAL LIST</b>			
	COMPONENT: TYPE & VERSION  CPI 302/0-68		SHEET: 1	OF:
			PSM.NO. 160B4009	ISSUE
Notes: All items with stated ID nos. can be purchased as spare parts. When ordering spare parts – state ID no.		DATE	BY	CHECK
DRAWINGS REFERRED TO:				
DRAWING NO.	REF.	DESCRIPTION		
160B9000	a	ASSEMBLY DRAWING, CPI/68		
	b			
	c			
	d	941024	UD	2

ITEM <small>Nos. or capital letters</small>	REF.	ID NO.	PARTS DESCRIPTION	QTY	MATERIAL	CTM NO.
02	a		Basis cover	1	MS 58	L05
03	a		Gasket	1	CR	
04	a		X-ring 34,52/41,58x3,53	1	Nitrile	NBR
05	a		Terminal strip	1	PA 66	
06	a		O-ring 101,32x1,78	1	Nitrile	NBR
15	a	056-3271	Compl. connection house	1		
16	a		Connection house	1	MS 58	L05
17	a		O-ring 28,3x1,78	1	Nitrile	NBR
18	a		Screw M5x35 C-I6K	2	A2-70	7A2
19	a		Cover plug PG 9	1	MS 58	L05
20	a		Cable gland PG 13,5	1	MS 58	L05
21	a		Name plate	1	Stainless	
22	a		Pin	2	Stainless	
24	a		Potentiometer 2K ohm	1		
25	a	251-1056	Screw M5x16 C-I6K	3	A2-70	7A2
26	a		Adhesive plate	1		
27	a	230-0044	Adhesive open/shut plate	1	Stainless	
28	a	055E3551	Foil ring	1	MS 58	L05
35	a		Potentiometer wheel	1	MS 58	L05
41	a	251-7054	Pointed screw M5x8	3	A2-70	7A2
42						
43	a	251-7001	Pointed screw M3x4	2	A2-70	7A2
44	a		Gear wheel	1	MS 58	L05
45	a	160B4310	Gear bush ø30	1	MS 58	L05
46	a		O-ring 29,87x1,78	1	Nitrile	NBR
47	a		O-ring 36,6x2,4	1	Nitrile	NBR
	A	160B5296	Seal set CPI 302 consisting of item 3-4-6-17-46-47			

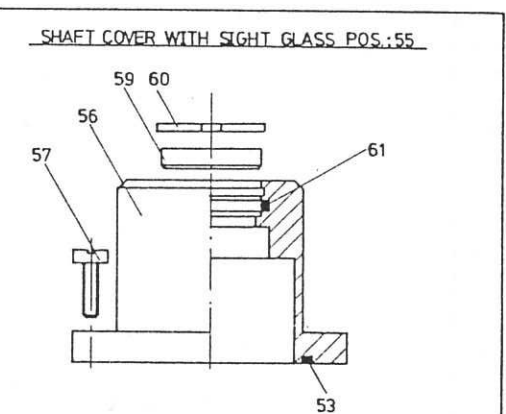
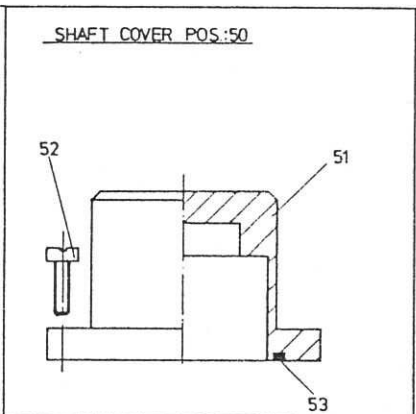
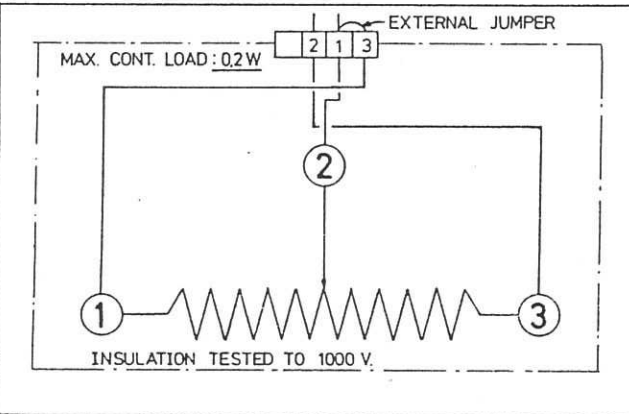
MAKE SURE THAT THE POTENTIOMETER SHAFT POS.24 AND THE WHEEL POS.35 IS TOTALLY CLEANED BEFORE GLUEING. USE AKTIVATOR FOR CLEANING. USE LOCTITE 307 FOR GLUEING.

USE LOCTITE 638 TOGETHER WITH THE ORING SEAL



POTMETER ADJUSTMENT :  $300 \pm 50 \text{ OHM}$   
 CLOSED POS.:  $300 \pm 50 \text{ }\Omega$   
 OPEN POS.:  $\sim 1500 \text{ }\Omega$   
 POTMETER ADJUSTMENT ONLY FOR CPI 622/0-68:  
 CLOSED POS.:  $\sim 100 \text{ }\Omega$   
 OPEN POS.:  $\sim 1800 \text{ }\Omega$

GENERAL MOUNTING INSTRUCTION SEE DI 0.10.11.



A - DATE STAMPED

N	REV	DATE	BY	CHKD	APPV
<p>DAWFOSS SYSTEM HYDRAULIK A/S                  M5711 37</p>					
<p>16.089.000</p>					