

BRCF 022

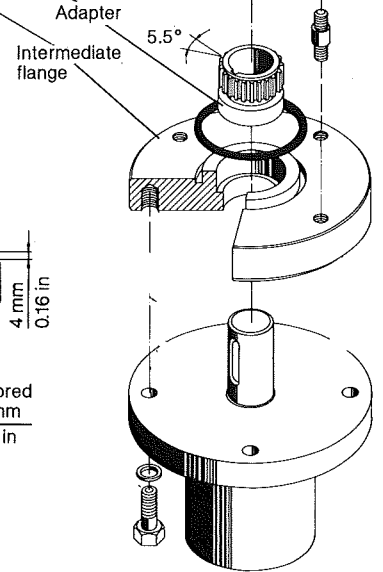
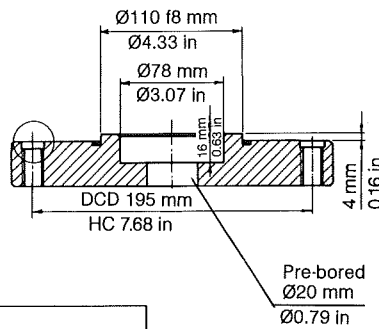
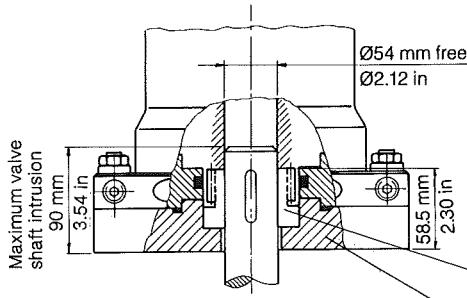
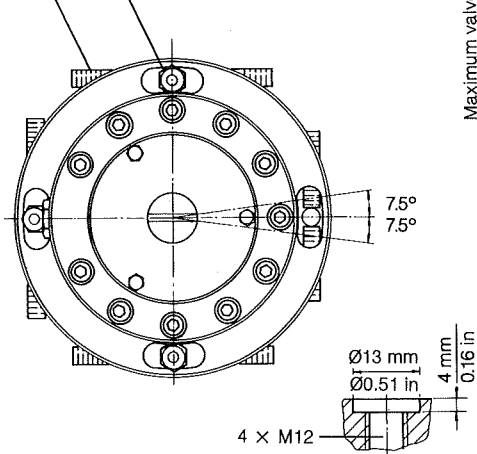
Hydraulic Single-Acting Balanced Rotary Actuator 90° (Quarterturn) Fail-safe

B1

Valve Adaption:

Adjustment screw, torque: max. 13 Nm ~ 110 lbfin

Fastening nut, torque: 35 Nm ~ 300 lbfin



Limits for the Machining of the Adapter

Max. shape of valve spindle					
mm	42	42	42	35	p+q: 50
in	1.65	1.65	1.65	1.38	1.97

Performance:

