

Damcos™ KC

Hydraulic linear double-acting actuator



KC600



KC65, KC125, KC250, KC325 and KC400

KC Hydraulic Linear Double-Acting Actuator

The KC converts hydraulic energy into linear motion with thrust proportional to the applied pressure. The KC has no external moving parts during operation and has a built-in device for maintaining pressure at temperature variations. The KC is designed with built-in crossover valve and is equipped with a direct visual position indicator.

The KC can be operated in any kind of environment and can easily be adapted to all well-known globe valves, and all models are prepared for direct built-on modular control functions.

Standard Optionals

The KC actuator for intermediate positions and fail set operation of globe valves:

- Unique and simple design with built-in crossover valve
- Easy installation on intermediate flange at globe valve
- Same unit for several valve sizes
- Will operate in sea air as well as sea water
- No external moving parts during operation
- Prepared for direct built-on modular control functions or LPU
- Direct visual position indication
- Built-in device for maintaining pressure at temperature variations
- Hydraulic on/off position indication
- Electrical on/off or continuous position indication
- IP 68
- Connection block with e.g. filter
- Pilot operated non-return valve
- Release valve
- Throttle valve
- Quick connection for emergency operation with portable hand pump
- LPU mounting
- Epoxy coating
- On request spec. features as:
- Flushing valve built into the connection block
- Making it possible to flush the system without disconnection of pipes.

Technical Data

Working pressure	135 bar
Test pressure	1,5 x working pressure
Burst test	min. 675 bar
Closing thrust at 135 bar	17 000 - 290 000 N
Viscosity of hydraulic oil	15 to 200 cSt

Main Specification

Temperature range	-20°C to +80°C
Housing	GGG40
Piston	GGG40
Output spindle*	AISI 329
Indicator housing	Brass MS 58
Coating	Primer: Min 40 µm, type Hempel EE 13140 Top coat: min 25 µm alkyd, red no. 51320

*) Only applicable for KC 600

Main Specifications

Actuator type	Closing thrust at 135 bar (N)	Maximum Stroke (mm)	Total dry weight (kg)	Oil displacement at full stroke (l)	Dimensions bottom view (mm)						Dimensions front view (mm)							
					ØA	ØB	C	D	E	F	G	H	ØI	J	K	L	M	ØO
KC 65	17000	16.25	4.5	0.021	62	9	80	48	-	-	35	36	76	17	15	-	157	80
KC 125	35000	31.25	7.0	0.082	75	9	76	50	52	72	42.5	42	90	17	20	189	202	98
KC 250	92500	62.50	24.0	0.428	118	14	70	78	77	72	72.5	72	140	23	35	300	343	150
KC 325	127000	81.25	54	0.793	165	21	70	103.5	-	-	96	105	205	30	42	428	468	175
KC 400	220000	104	87	1.7	165	21	70	103,5	-	-	115	105	205	30	42	467	520	226
KC 600	290000	150	150	3.36	254	24	68	146	-	-	193.5	130*	300	71	42	601	612	264

*) KC 600 has no external thread and the H dimension is the bushing diameter (internal thread M48x2).

For the KC 65 to KC 400 the H dimension is referring to a metric external thread.

Manufacture

The KC actuators are manufactured in accordance with the guidelines for quality system stated in the American standard ANSI/ASQC Z-1.15.

After assembly each actuator is flushed to NAS 1638/10 – ISO 4406 21/19/16 standard and plugged.

Flushing to NAS 1638/7 – ISO 4406 18/16/13 standard can be performed on request.

Operation Restrictions

Please observe specific rules and demands from classification societies and authorities concerning operation pressure and temperature range.

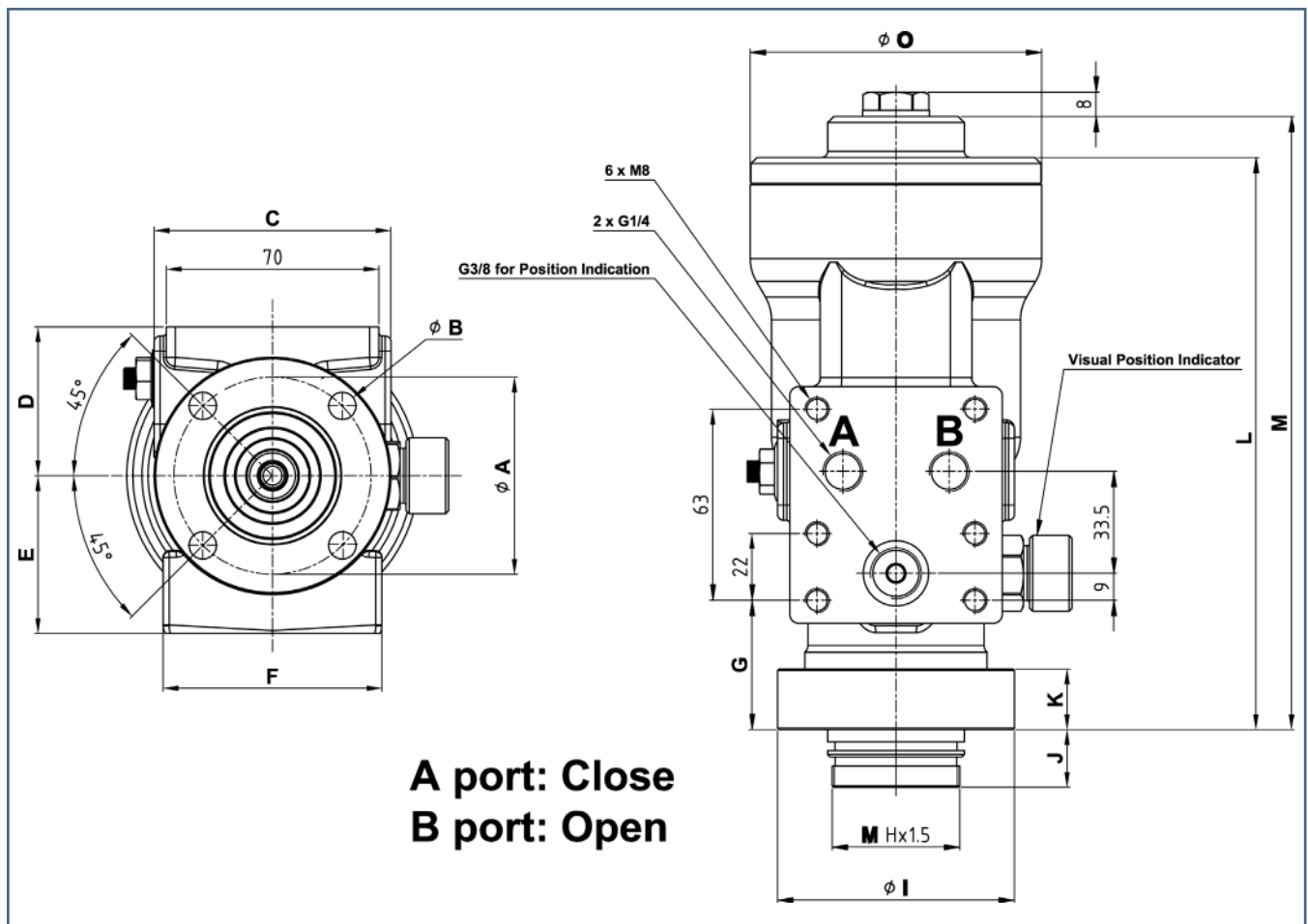
(Example - ABS: Max. operating pressure = 20% of burst pressure.)

Control Equipment

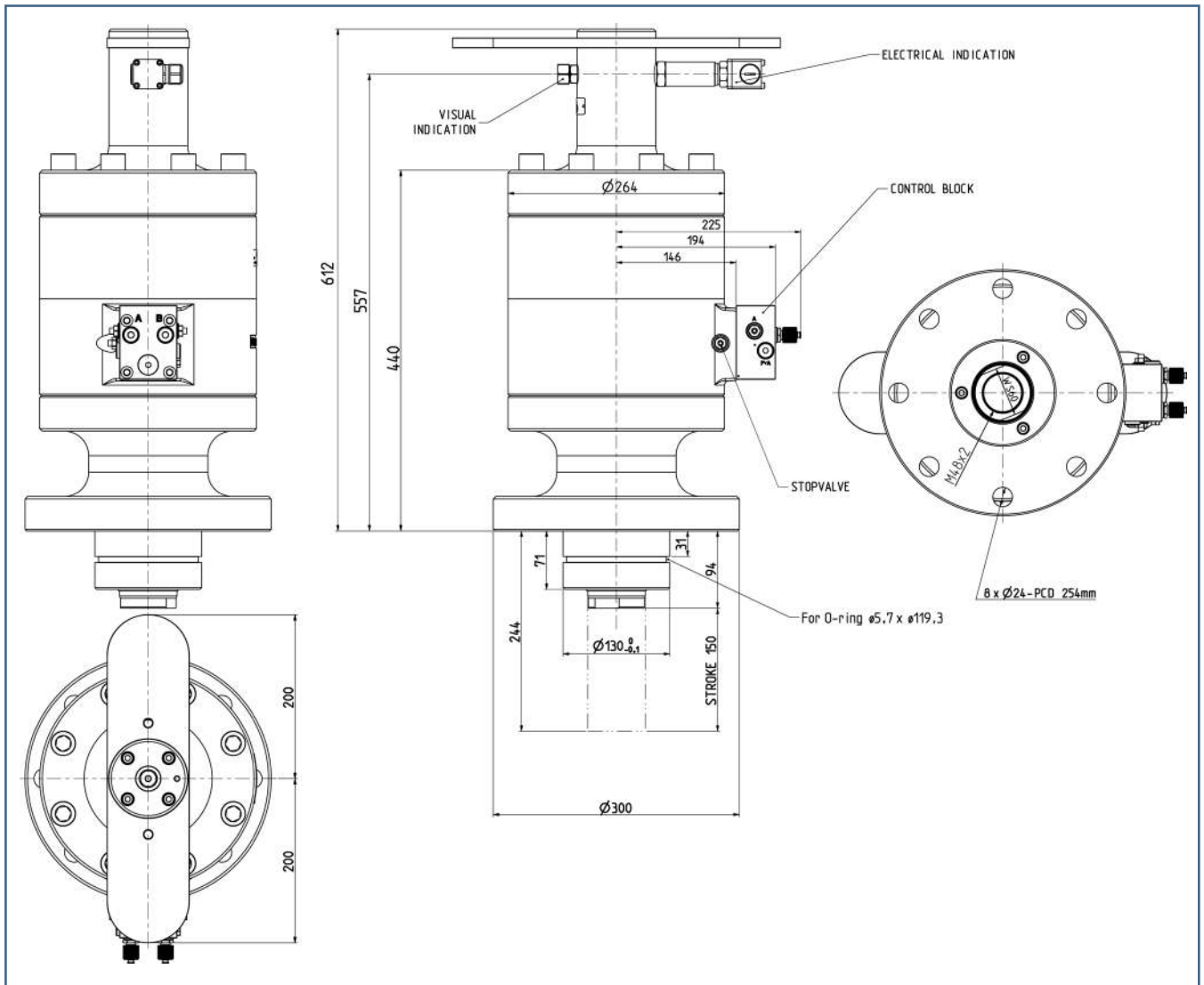
The actuators are designed for pipe connection to the G 1/4 actuator port or actuator mounted control equipment.

For further information please see separate data sheets for the whole range of blocks and other actuator mounted control equipment.

Main Dimensions KC65, KC125, KC250, KC325 and KC400



Main Dimensions KC600



Classification

Meets the requirements from the major classification and approval authorities like:

- Det Norske Veritas
- Lloyd's Register of Shipping
- American Bureau of Shipping
- Rina
- Russian register of Shipping
- Bureau Veritas
- Germanischer Lloyd
- U.S. Coast Guard

©2014 Emerson Process Management. All rights reserved.

The Emerson logo is a trademark and service mark of Emerson Electric Co. Damcos and the Damcos logotype are trademarks of Damcos A/S, Rosemount and the Rosemount logotype are registered trademarks of Rosemount Inc. Damcos A/S and Rosemount Tank Radar AB are members of the Emerson Process Management family of companies. All other marks are the property of their respective owners.

The contents of this publication are presented for information purposes only, and while effort has been made to ensure their accuracy, they are not to be construed as warranties or guarantees, expressed or implied, regarding the products or services described herein or their use or applicability. Standard Terms and Conditions of Sale can be issued by contacting Damcos A/S. We reserve the right to modify or improve the designs and specifications of our products at any time without notice.

Damcos A/S and Rosemount Tank Radar AB accepts no responsibility for any errors that may appear in this publication.

Emerson Process Management

Damcos A/S
Aaderupvej 41
DK-4700 Naestved
T +45 5578 7200
F +45 5578 7272

www.EmersonProcess.com/mtm