



**DANFOSS
SYSTEM
HYDRAULIK A/S**

PARTS-, SPARE PARTS, & MATERIAL LIST

COMPONENT: TYPE & VERSION

KFCM 52 - A1

SHEET: 1 OF: 2

ISSUE

PSM.NO 160F1006 X

Notes: All items with stated ID nos. can be purchased as spare parts.
When ordering spare parts – state ID no.

DATE BY CHECK

↓

DRAWINGS REFERRED TO:

DRAWING NO.	REF.	DESCRIPTION
160F9010	a	Assembly drawing
	b	
	c	
	d	

931222 LSI

930111 LSI

ITEM

Nos. or
capital
letters

REF.

ID NO.

PARTS DESCRIPTION

QTY

MATERIAL

CTM
NO.

CTM no. refers to DSH sheets: COMPARISON TABLES for MATERIALS

1	a		Housing	1	GGG 40	A10
2	a		Piston	1	GGG 40	A10
3	a		Spindle	1	S-1802	F10
4	a		Top part	1	SKF280	B54
5	a		Spring guide	1	MS 58	L05
6	a		Spindle f. man. operation	1	MS 58	L05
7	a		Retainer	1	MS 58	L05
8	a		Bushing	1	MS 58	L05
9	a		Stop bush	1	MS 58	L05
10	a	160F1313	Locking ring	1	S-1802	F10
11	a		Spring holder	1	Esm. B	L50
12	a		Locking ring	1	MS 58	L05
13	a	036E0811	Hand lever shaft	2	AISI 304	F05
14	a	036E0821	Extension shaft	2	Esm. B	L50
15	a		Compression spring	1	St. 60	
16	a	033E6181	Screw-plug 3/8"RG	2	9SMnPb28	B10
17	a		O-ring 119.3 x 5.7	1	NBR 70	NBR
18	a					
19	a		O-ring 44.5 x 3.0	1	NBR 70	NBR
20	a		O-ring 41.5 x 3.0	1	NBR 70	NBR
21	a		O-ring 34.5 x 3.0	3	NBR 70	NBR
22	a		Scraper $\phi 60/\phi 70-7/10$	1	NBR 90	
23	a		Scraper $\phi 35/\phi 43-7/4$	1	NBR 90	
24	a	231-1022	Disc spring 125/61 x 6.0	23	50CrV4	N15
25	a		Thrust washer $\phi 60/\phi 75$ x 3.0	1	C-75	
26	a	390-0205	Thrust washer $\phi 25$	2	St.3	POL
27	a	390-0005	Thrust needle bearing $\phi 25$	2	100Cr6	ROL
28	a	390-0105	Thrust disc $\phi 25$	2	St.3	POL



**DANFOSS
SYSTEM
HYDRAULIK A/S**

PARTS-, SPARE PARTS, & MATERIAL LIST

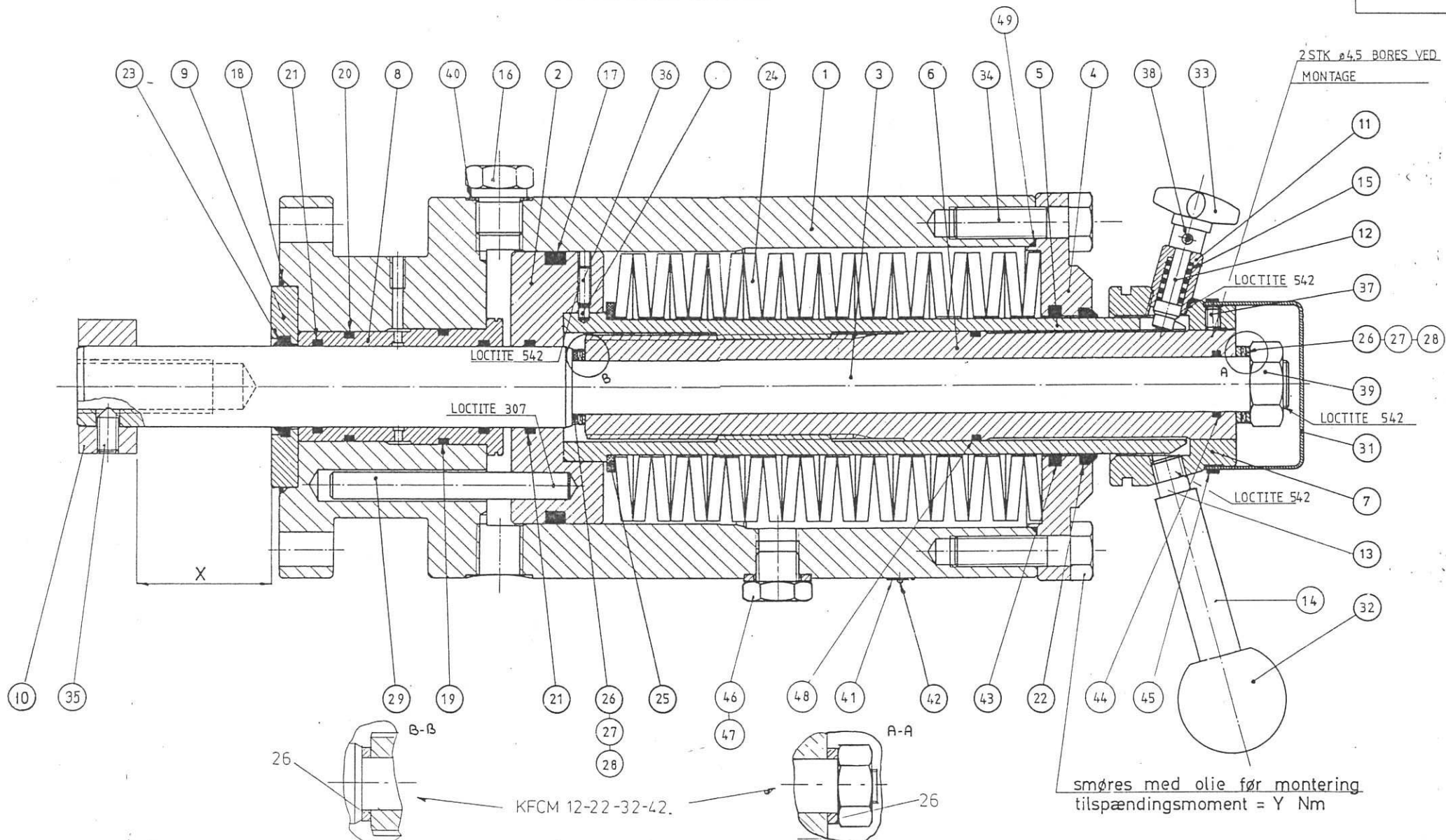
COMPONENT: TYPE & VERSION

KFCM 52 - A1

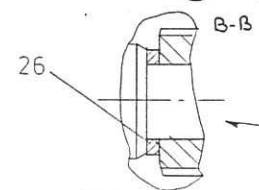
SHEET: 2 OF: 2

PSM.NO 160F1006

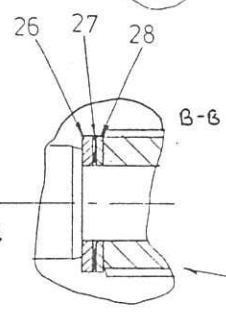
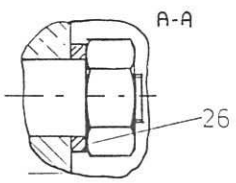
ITEM Nos. or capital letters	REF.	ID NO.	PARTS DESCRIPTION	QTY	MATERIAL	CTM NO.	CTM no. refers to DSH sheets: COMPARISON TABLES for MATERIALS
29	a		Pin ϕ 12 x 110 DIN 7	1	St.50K		
30	a		Cyl. roller ϕ 6 x 12	1	100Cr6	ROL	
31	a	234-2035	Top cap ϕ 75 x ϕ 39	1	PVC		
32	a	234-0850	Knob f. handle ϕ 50 x ϕ 20	2	Phenol		
33	a		Crosshead DIN 6335	1	EL-Zn+		
34	a	250-2136	Screw M12 x 40, 6K DIN 933	16	8.8	08.8	
35	a	251-1105	Pointed screw M8 x 16 DIN 914	1	70/A4	7A4	
36	a		Pointed screw M8 x 25 DIN 915	1	14.9	14.9	
37	a		Pointed screw M6 x 16 DIN 916	3	70/A2	7A2	
38	a		Pointed screw M4 x 4 DIN 916	1	70/A2	7A2	
39	a		Nut M24 DIN 934	1	50/A2	5A2	
40	a	208-0053	Washer ϕ 17/ ϕ 22 x 1.5	2	Copper DLP	L02	
41	a		Name plate 74 x 51 x 0.5	1	Stainless	F90	
42	a		Pin ϕ 1.9 x 5	4	50/A2	5A2	
43	a		X-ring 59.69/70.35 x 5.33	1	NBR 85	PD	
44	a		O-ring 24.5 x 3.0	1	NBR 70	NBR	
45	a		Cable ties 5 x 360	1	Nylon 6.6		
46	a	023-6771	Air escape valve	1			
			Housing	1	MS 58	L05	
			Cone spindle	1	MS 58	L05	
			Compression spring	1	St.60		
			Disc ϕ 5.3 DIN 125	1	Steel		
			O-ring 5.1 x 1.6	1	NBR 70	NBR	
			Pin 1.5 x 15	1	Copper DLP	L02	
47	a	208-0053	Washer ϕ 17/ ϕ 22 x 1.5	1	Copper DLP	L02	
48	a		O-ring 37.5 x 3.0	1	NBR 70	NBR	
49	a		O-ring 126.72 x 1.78	1	NBR 70	NBR	
		219-0178	<u>Seal kit KFCM 52</u> Consisting of: Item 17-19-20-21- 22-23-43-44-48-49.				
		044-4561	<u>Release Lever Unit</u> Consisting of: Item 11-12-15-33-38.				



smøres med olie før montering
tilspændingsmoment = Y Nm



KFCM 12-22-32-42.



ACTUATOR TYPE	X mm	Y Nm
KFCM 12	16,25+3	22
KFCM 22	25+3	43
KFCM 32	37,5+3	43
KFCM 42	49+3	72
KFCM 52	62,5+3	72

KFCM 52

Gældende for KFCM 52:
HUSK AT MONTERE POS. 26-27-28 I
POS. 5 FJEDERSTYR FØR ODM MONTERES
I POS. 2 stempelet.

DIN N		MATR. DESIGNATION/DIM.	NUMBER	UNIT	WTR. QUALITY/SURFACE Treatment	WEIGHT			
SURFACES WITH NO ROUGHNESS GRADE R _a *		THIS PRINT IS PROVIDED ON A RESTRICTED BASIS. THIS PRINT IS TO BE RETURNED UPON REQUEST. IT IS TO BE USED ONLY FOR THE PURPOSE FOR WHICH IT WAS EXPRESSLY PROVIDED AND IS NOT TO BE COPIED IN ANY MANNER. NOR IS INFORMATION TAKEN THERE FROM TO BE TRANSMITTED OR PASSED ON TO OTHERS WITHOUT THE EXPRESS PERMISSION OF DANFOSS SYSTEM HYDRAULIK. IT IS NOT TO BE USED IN ANY WAY DETRIMENTAL TO DANFOSS SYSTEM HYDRAULIK.							
NOMINAL DIM OVER TO	TOLERANCE ISO 2768	DIMENSIONS IN MILLIMETRES UNLESS OTHERWISE STATED	FIRST ANGLE PROJECTION ISO METHOD E	ALTER	DATE	BY	CHECK	APPR	ISSUE
0.1 - 0.3	0.1				8/1-99	JS			
0.3 - 0.6	0.2	REPLACE	MODEL	052C4571					
0.6 - 1.0	0.3	REPLACED BY	SCALE	~					
1.0 - 315	0.4	ID-NO	TOTAL WEIGHT						
315 - 1000	0.8	DANFOSS SYSTEM HYDRAULIK A/S		ASSEMBLY DRAWING KFCM			PAGE /		
		DANFOSS		DRAWING NO. V			160F9010		