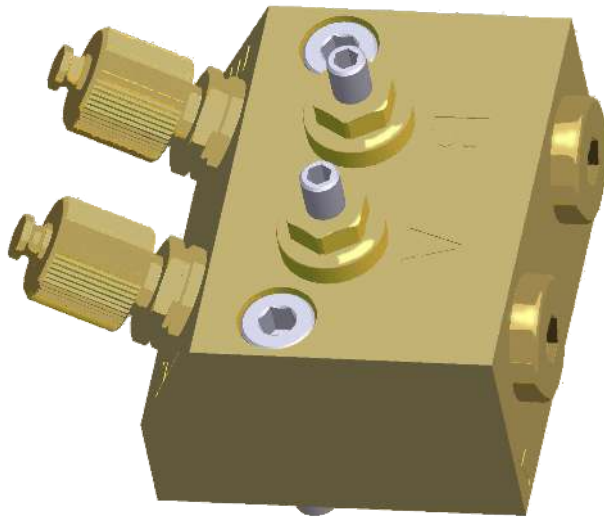


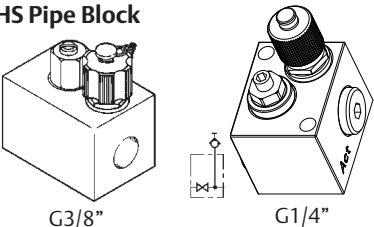
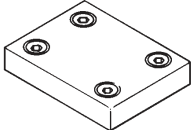
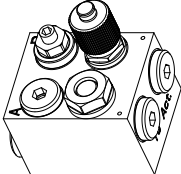
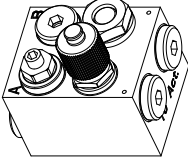
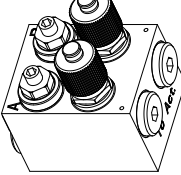
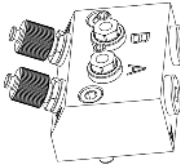
Damcos™ DPHS, PHS and P3

Accessories for valve/actuator area



Description

The following accessories for valve and actuator area are available for typical applications as described below.

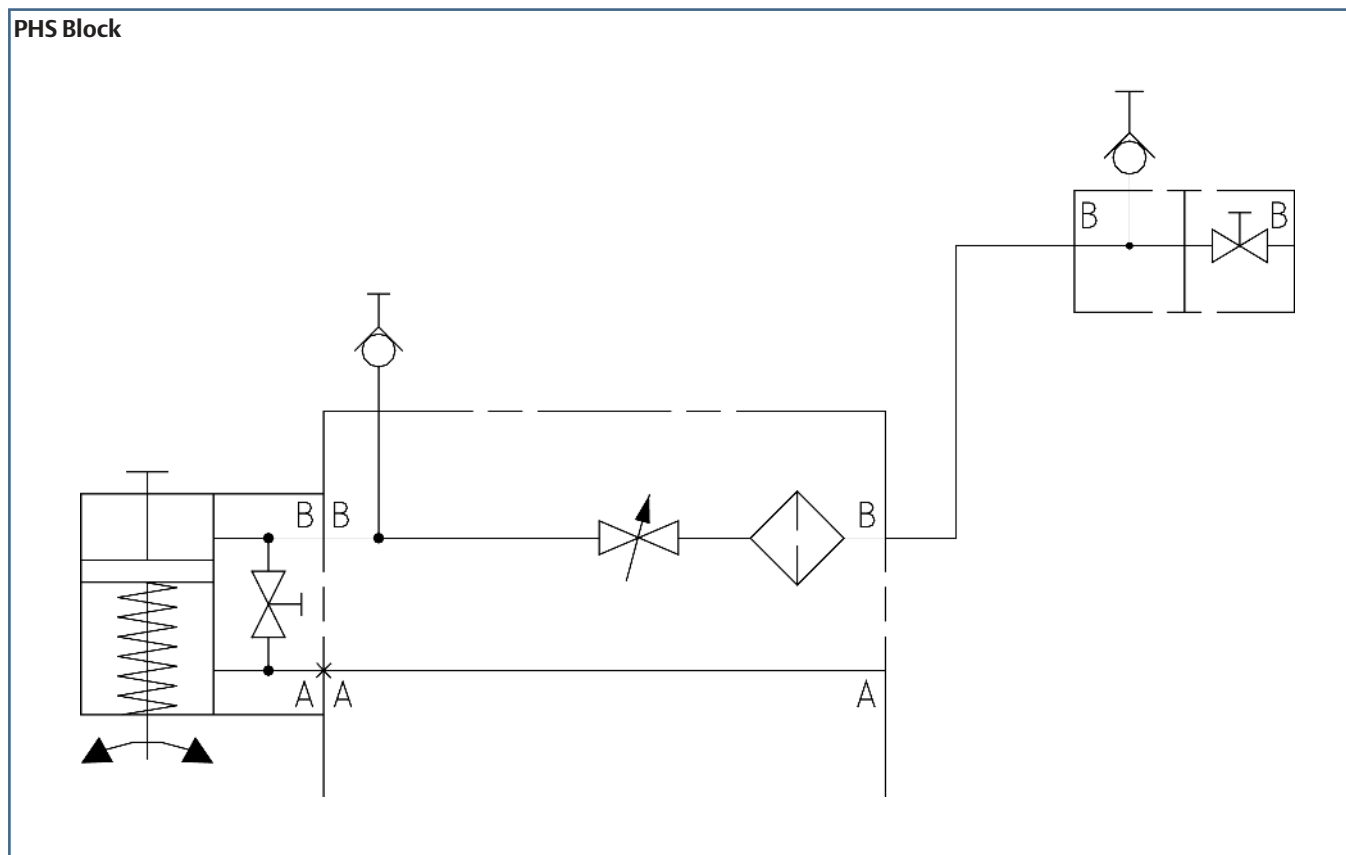
Unit	Description	Typical Application
<p>PHS Pipe Block</p>  <p>G3/8" G1/4"</p>	<p>Block with single quick connection and stop valve. The block has connection tread G3/8" or G1/4".</p>	<p>For emergency operation of 1-line actuators (spring return) by means of portable hand pump. The block is pipe mounted.</p>
<p>P3 Cross-Over Plate</p> 	<p>Plate for cross - connecting ports P and A, respectively B and T of a Cetop-3/NG 6 stack.</p>	<p>Whenever a Cetop-3/NG 6 mounting block is used for mounting of control equipment on the actuator, a P3 plate is necessary to close the Cetop-3 "sandwich".</p>
<p>PHS Bleeder Fail Close, submerged</p> 	<p>Bleed pipe from actuator can be connected to block.</p>	<p>For emergency operation of 1-line submerged actuator (fail close) by means of portable hand pump. The block is pipe mounted.</p>
<p>PHS Bleeder Fail Open, submerged</p> 	<p>Bleed pipe from actuator can be connected to block.</p>	<p>For emergency operation of 1-line submerged actuator (fail open) by means of portable hand pump. The block is pipe mounted.</p>
<p>DPHS Pipe Block, submerged</p> 	<p>For emergency operation of 2-line actuator by means of portable hand pump. The block is pipe mounted.</p>	<p>For emergency operation of 2-line actuator or system consisting LPU, both S and D, by means of portable hand pump.</p>
<p>DPHS Flushing Block for Manifold</p> 	<p>Used for shutting off connection to manifold when flushing or connecting and operating actuators by portable hand pump from outside the deck-box. The block has connection tread G3/8" (G1/4" in manifolds). Two versions one for brass manifold and one for acid proof manifold. Installation requirements: Damcos Brass manifold or acid proof manifold 75 mm pitch only.</p>	<p>For use of shutting off connection to manifold when flushing, connecting and operating actuators by portable hand pump from outside the deck-box.</p>

Technical Specification

	PHS	P3	PHS - bleed fail close	PHS - bleed fail open	DPHS pipe block	DPHS* flushing block Brass / SS
Maximum operation pressure	135 bar/2000 PSI					
Maximum test pressure	225 bar/3250 PSI					
Flow rate at 100 bar (50 cSt visc.) l/min	6	20	6	6	6	7/5
Temperature range	-20°C to +80°C					
Weight approx. kg/lb	0.6 / 1.3	0.2 / 0.4	1.1 / 2.4	1.1 / 2.4	1.1 / 2.4	1.6 / 3.5
Seals	NBR					
Housing	MS 58 or AISI 316L	MS 58	MS 58	MS 58	MS 58	MS 58 / AISI 316L
Screws	None	None	None	None	None	A4-80
Quick connection	MS 58 or AISI 316L	MS 58	MS 58	MS 58	MS 58	MS 58 / AISI 316L

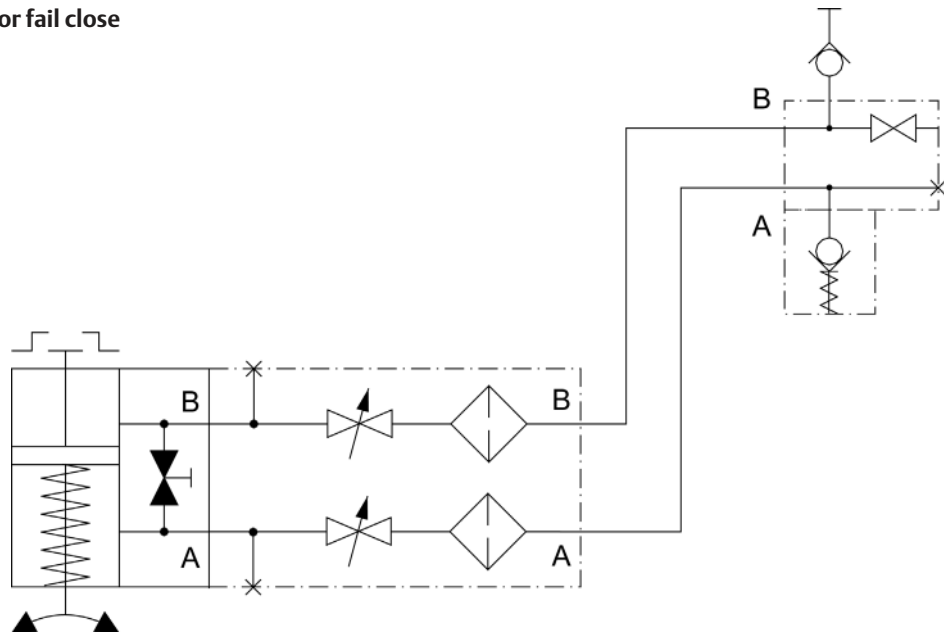
*) Versions made for 60 bar is good for burst pressure 445 bar!

Hydraulic diagram

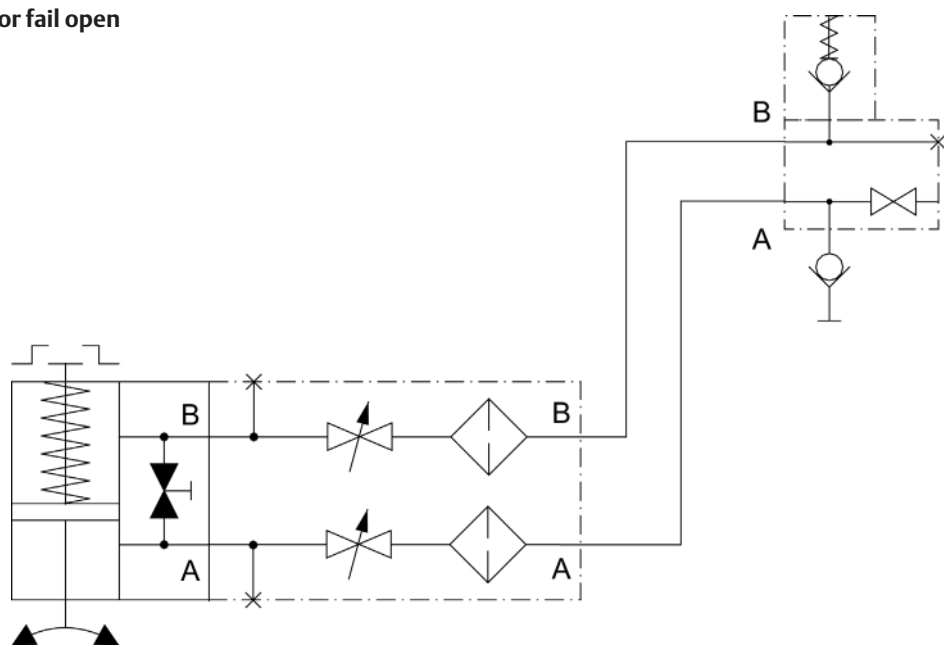


Hydraulic diagram

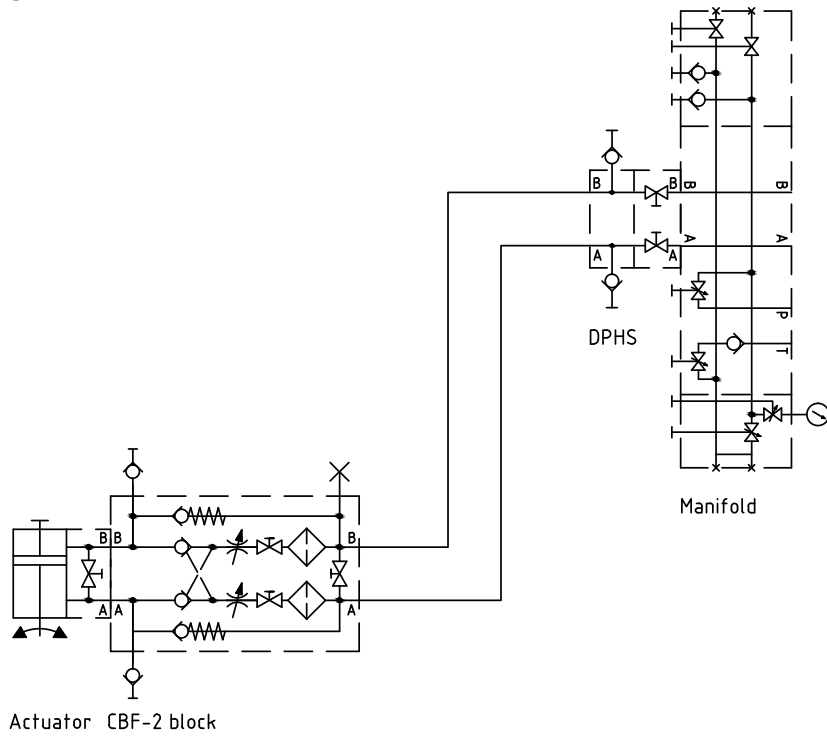
PHS block with bleeder for fail close



PHS block with bleeder for fail open

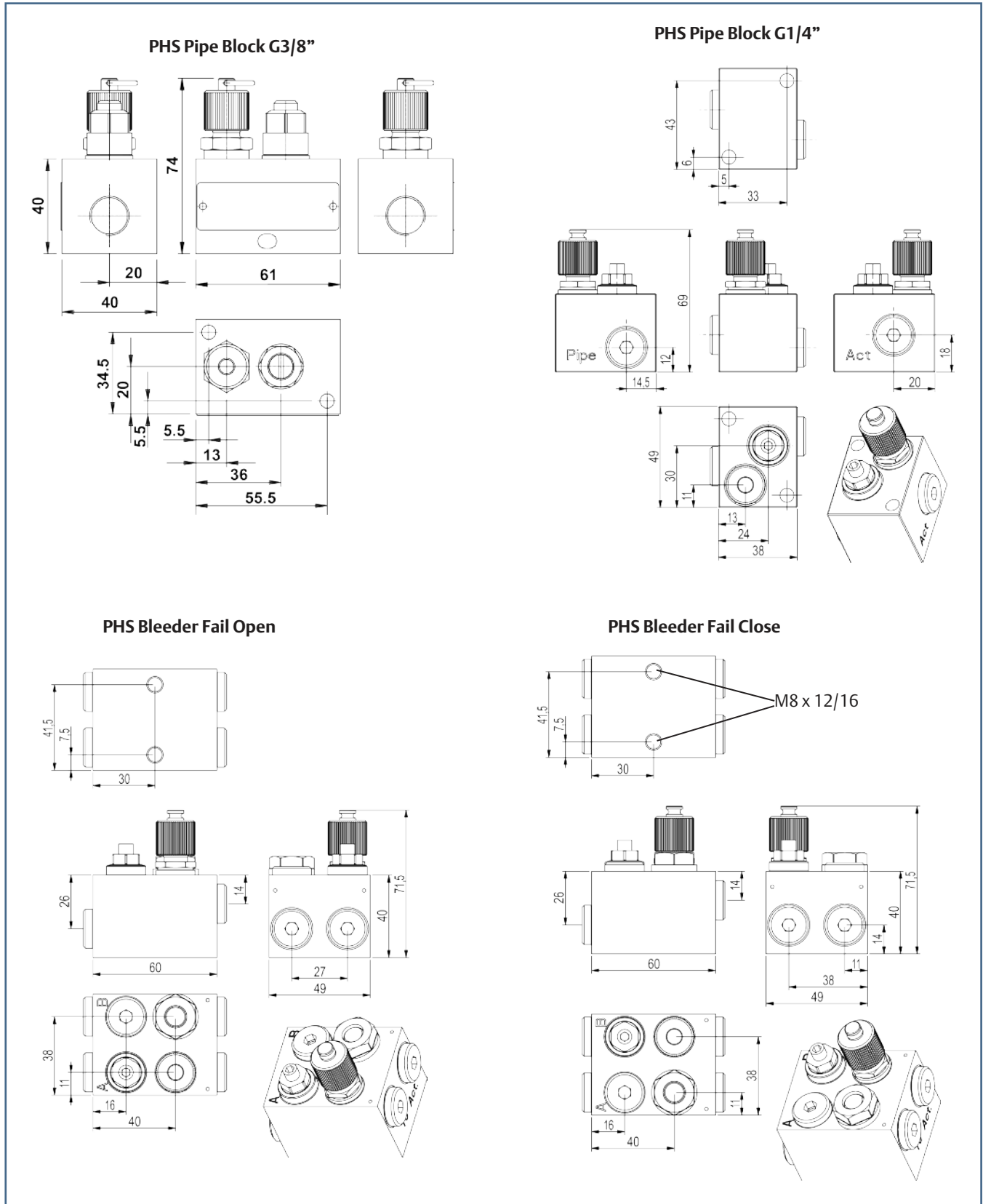


DPHS Flushing Block for Manifold

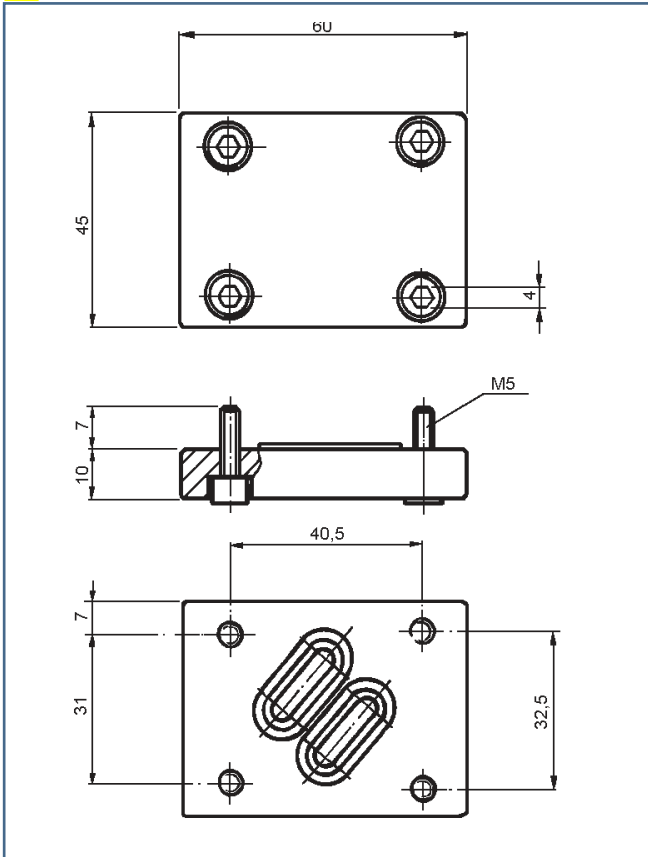


Main dimensions

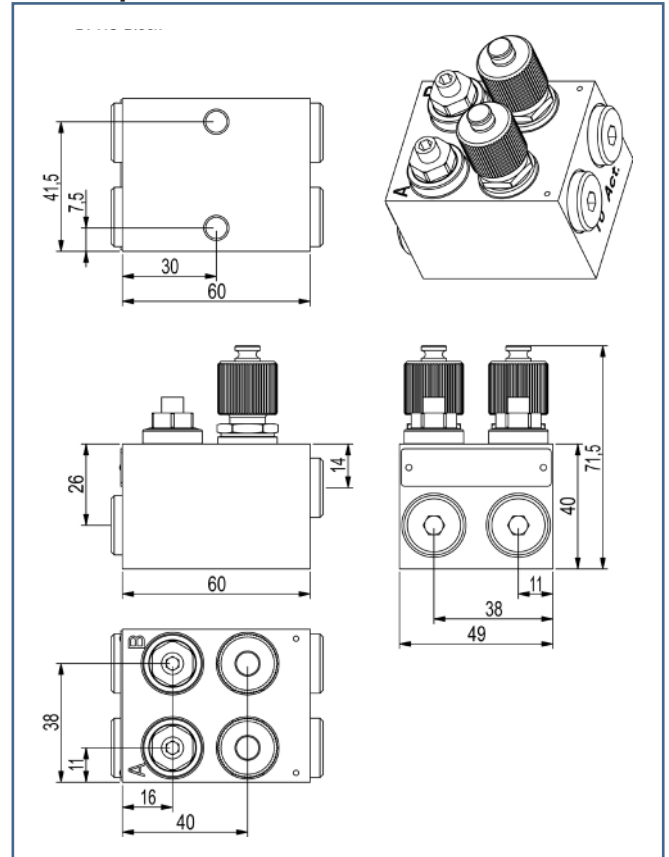
PHS



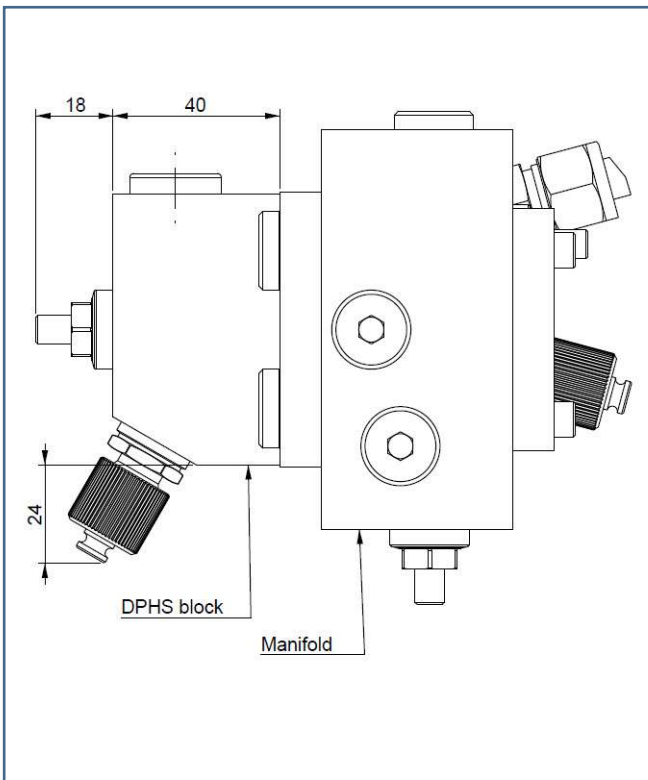
P3



DPHS Pipe Block



DPHS Mounting on Manifold



Emerson Process Management

Damcos A/S
Aaderupvej 41
DK-4700 Naestved
T +45 5578 7200
F +45 5578 7272

www.EmersonProcess.com/mtm

©2014 Emerson Process Management. All rights reserved.

The Emerson logo is a trademark and service mark of Emerson Electric Co. Damcos® and the Damcos logotype are registered trademarks of Damcos A/S.

The contents of this publication are presented for information purposes only, and while effort has been made to ensure their accuracy, they are not to be construed as warranties or guarantees, expressed or implied, regarding the products or services described herein or their use or applicability. Standard Terms and Conditions of Sale can be issued by contacting Damcos A/S. We reserve the right to modify or improve the designs and specifications of our products at any time without notice.