

BRCF 002

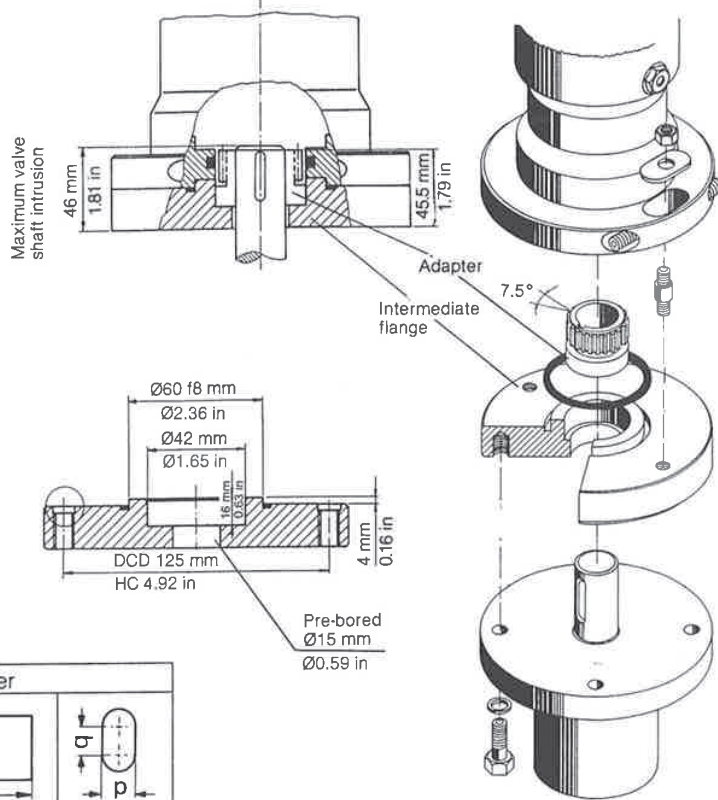
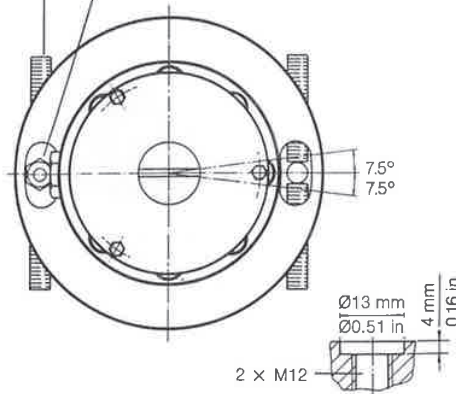
Hydraulic Single-Acting Balanced Rotary Actuator 90° (Quarterturn) Fail-safe

B1

Valve Adaption:

Adjustment screw, torque: max. 13 Nm ~ 110 lbf·in

Fastening nut, torque: 35 Nm ~ 300 lbf·in



Limits for the Machining of the Adapter

Max. shape of valve spindle					
mm	20	20	20	18	p+q: 26
in	0.79	0.79	0.79	0.71	1.02

Performance:

TORQUE

