

PARTS-, SPARE & MATERIAL LIST

Emerson Process Management
Marine Solutions
Damcos A/S

Component: type & version
ACTUATOR BRC-012/180 GR.

Material no.:
052-7451

Alt.: 1

Aaderupvej 41
DK-4700 Naestved
Denmark
T +45 5578 7200
F +45 5578 7272

Page 1 of 2

Notes: All items with stated material number can be purchased as spare parts.
When ordering spare parts: please state material number.

Document numbers referred to: 052B7451

Posnr	Material	Description/ Compound	CTM No.	Quantity	Unit
0000	----->	219-0285 PAK.S&T BRC 012/180 GR.		1,000	PC
0001	056C1691	HOUSING M/6 180 GR 0-LAGER		1,000	PC
0002	052D7361	PISTON BRC 012/180 GR. SPEC.		1,000	PC
0003	052D7391	TOP PIECE BRC 012/180 GR. SPEC		1,000	PC
0004	052D7371	SPLINED SHAFT BRC 012/180 0-STOCK		1,000	PC
0005	165F2031	INDICATOR SHAFT BRC 012 - 180°		1,000	PC
0006	390-0011	THRUST CAGE D55 USt.13 (W.no.1.0333)	POL	1,000	PC
0007	390-0111	THRUST WASHER D55 100Cr6 (W.no.1.3505)	ROL	2,000	PC
0008	051C5841	BOTTOM PART BRC 012		1,000	PC
0009	051E6541	COVER BRC 022-092		1,000	PC
0011	202-0102	X-RING Ø88,27X5,33 PD 85	PD	2,000	PC
0012	202-0046	X-RING Ø24,99X3,53 PD 85	PD	3,000	PC
0013	202-0082	X-RING Ø54,5X5,33 PD 85	PD	1,000	PC
0014	202-0031	X-RING Ø17,75X2,62 PD 85	PD	1,000	PC
0015	041E7491	PACKING FOR BRC 002		1,000	PC
0016	200-0207	O-RING Ø94,5X3 NBR 70	NBR	1,000	PC
0017	200-0183	O-RING Ø24,5X3 NBR 70	NBR	1,000	PC
0018	200-2600	O-RING Ø72,69X2,62 NBR 70	NBR	1,000	PC

PARTS-, SPARE & MATERIAL LIST

Emerson Process Management
Marine Solutions
Damcos A/S

Component: type & version
ACTUATOR BRC-012/180 GR.
Material no.:
052-7451
Alt.: 1

Aaderupvej 41
DK-4700 Næstved
Denmark
T +45 5578 7200
F +45 5578 7272

Page 2 of 2

Refnr	Material	Description/ Compound	CTM No.	Quantity	Unmsr
0019	200-2041	O-RING Ø87,1X2,4 NBR 70	NBR	1,000	PC
0020	200-0104	O-RING Ø7,1X1,6 NBR 70	NBR	1,000	PC
0021	250-2116	SCREW M10X40	08.8	16,000	PC
0022	251-1054	SCREW M5X12 X5CrNi18 9(W.no.1.4301)	7A2	3,000	PC
0023	251-7136	SET SCREW/CUP POINT M10X40 X5CrNi18 9(W.no.1.4301)	7A2	4,000	PC
0026	273-0196	PIPE PIN 4X36 W.no.1.5026	N20	1,000	PC
0028	9026E0661	PLUG 3/8 INCH BSP		2,000	PC
0029	230-0177	NAME PLATE 51X74X0,5	F90	1,000	PC
0030	260-0412	RIVET D1,9X5	5/A4	4,000	PC
9900	----->	MÅLSKITSE BRC-012/180 GR.		1,000	PC

PARTS-, SPARE & MATERIAL LIST

Emerson Process Management
Marine Solutions
Damcos A/S

Component: type & version

SET OF SEALS FOR BRC 012/180 GR.

Material no.:

219-0285

Alt.: 1

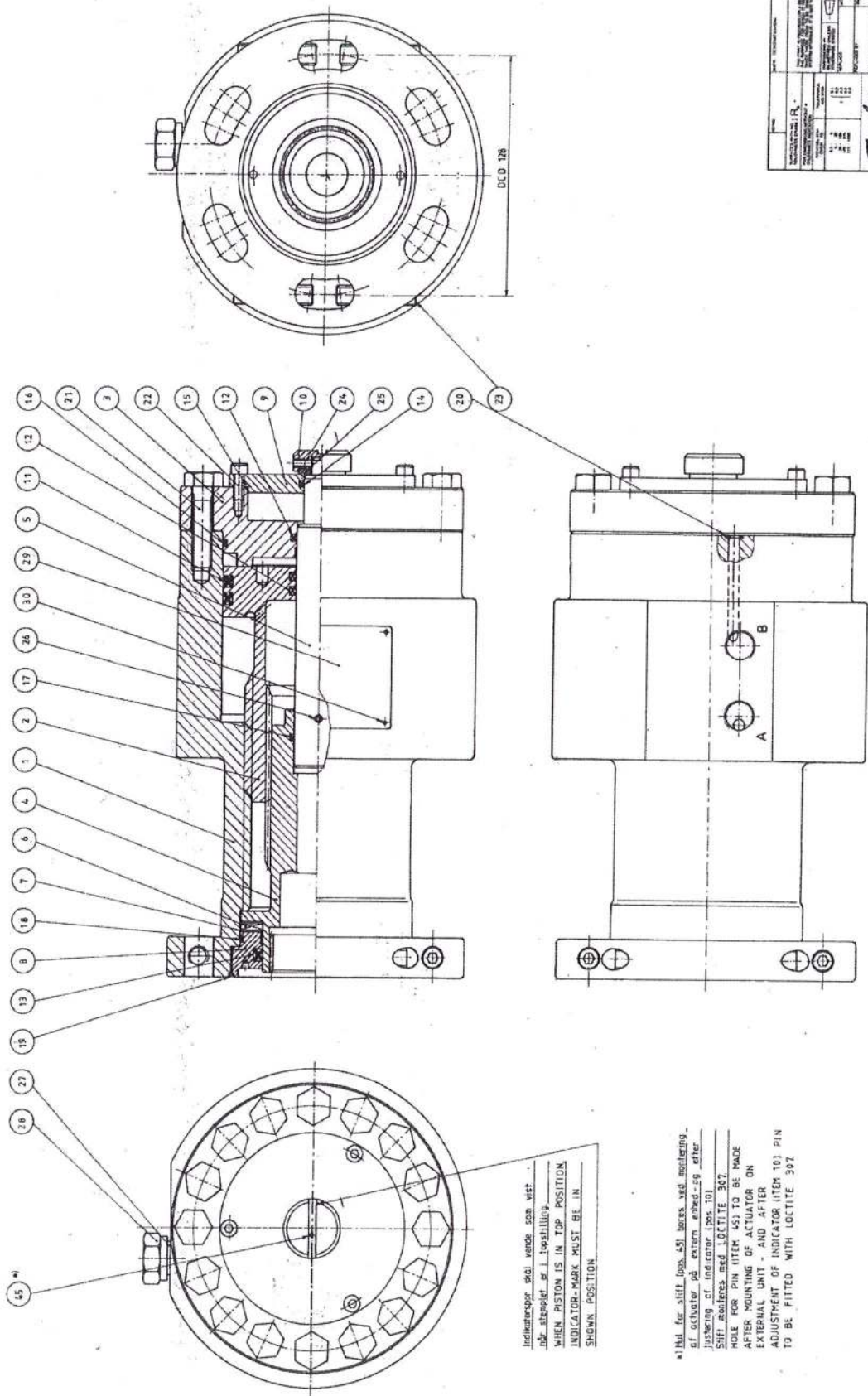
Aaderupvej 41
DK-4700 Naestved
Denmark
T +45 5578 7200
F +45 5578 7272

Page 1 of 1

Notes: All items with stated material number can be
purchased as spare parts.

When ordering spare parts: please state material number.

Posnr	Material	Description/ Compound	CTM No.	Quantity	Unit
0011	202-0102	X-RING Ø88,27X5,33 PD 85	PD	2,000	PC
0012	202-0046	X-RING Ø24,99X3,53 PD 85	PD	3,000	PC
0013	202-0082	X-RING Ø54,5X5,33 PD 85	PD	1,000	PC
0014	202-0031	X-RING Ø17,75X2,62 PD 85	PD	1,000	PC
0015	041E7491	PACKING FOR BRC 002		1,000	PC
0015	----->	200-2541 O-RING Ø72,75X1,78 Valid from 19870116 to 19880107		1,000	PC
0016	200-0207	O-RING Ø94,5X3 NBR 70	NBR	1,000	PC
0017	200-0183	O-RING Ø24,5X3 NBR 70	NBR	1,000	PC
0018	200-2600	O-RING Ø72,69X2,62 NBR 70	NBR	1,000	PC
0019	200-2041	O-RING Ø87,1X2,4 NBR 70	NBR	1,000	PC
0020	200-0104	O-RING Ø7,1X1,6 NBR 70	NBR	1,000	PC
0025	046E2951	FILTDISC Ø24/Ø10*3.0		1,000	PC



Indikatorpin. skal vende som vist
 ind. skævt for i. Ispærring.
 WHEN PISTON IS IN TOP POSITION
 INDICATOR-MARK MUST BE IN
 SHOWN POSITION

*Hul. for slift. (pos. 45) beres ved monterg.
 af aktuator på extern anord. se efter
 justering af indikator. (pos. 10)
 Slift. monteres med LOCTITE 307
 HOLE FOR PIN (ITEM 45) TO BE MADE
 AFTER MOUNTING OF ACTUATOR ON
 EXTERNAL UNIT - AND AFTER
 ADJUSTMENT OF INDICATOR (ITEM 10) PIN
 TO BE FITTED WITH LOCTITE 307

Danfoss DANFOSS SYSTEM HYDRAULIK A/S		Model: BFC 012/180* Serienr.: 052B7451
Tekn. afd. 18.12.82	Udarb. 18.12.82	Kontrolleret af 18.12.82
Godkendt af 18.12.82	Udarb. af 18.12.82	Kontrolleret af 18.12.82
Tekn. afd. 18.12.82	Udarb. 18.12.82	Kontrolleret af 18.12.82