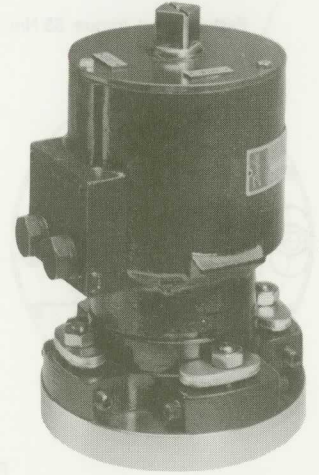


# Hydraulic Double-Acting Balanced Rotary Actuator 90° (Quarterturn)

A1

### Main Data:

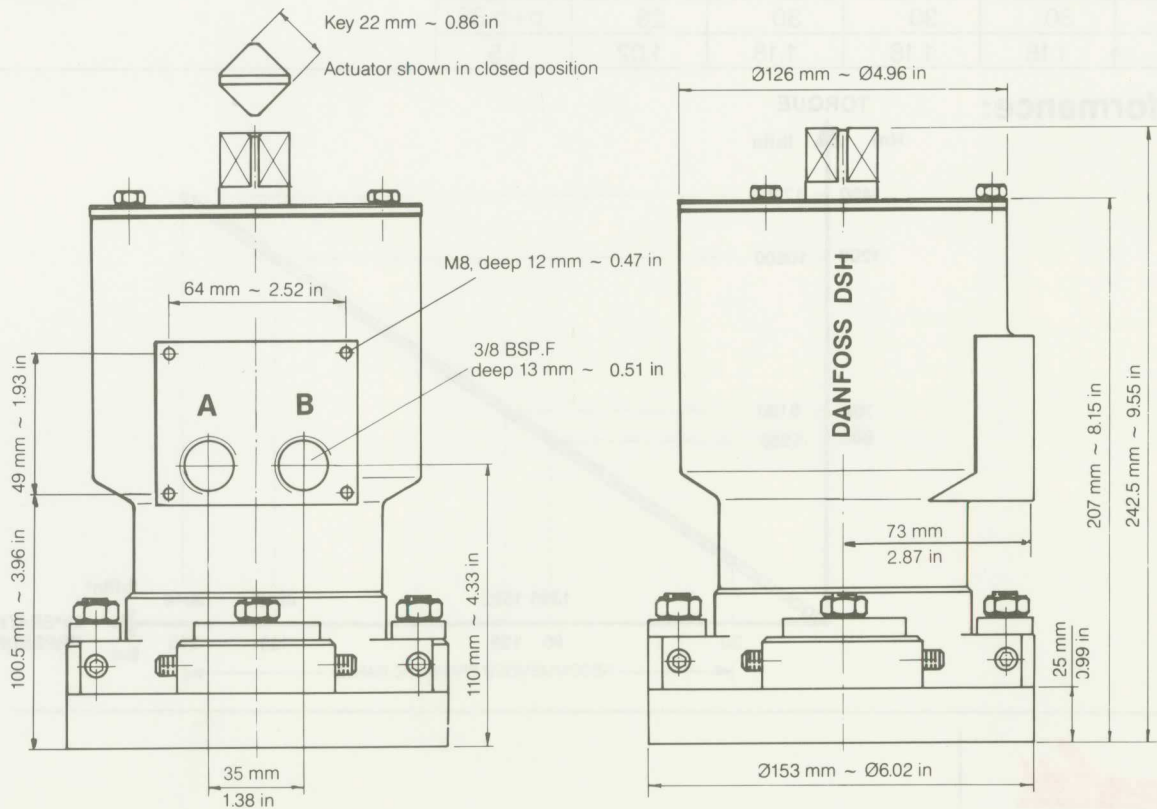
Max. working pressure: 210 bar ~ 3046 lbf/in<sup>2</sup>  
 Total dry weight: 16 kg ~ 35 lb incl. 4.2 kg ~ 9.3 lb for mounting set.  
 Oil displacement: 187 cm<sup>3</sup> ~ 11.4 in<sup>3</sup> - identical for both directions.  
 Temperature range: -20°C to 80°C ~ -4°F to 176°F.  
 Rotation: 90° ± 1°.  
 Hydraulic media and viscosities: We recommend acid-free hydraulic oil.  
 Viscosity range: 15 - 200 cSt. For recommended brands and for other media than oil please refer to separate data sheet.



### Tests and Approvals:

Burst tested to 740 bar ~ 10733 lbf/in<sup>2</sup>  
 Hyperbaric test: 4570 meters ~ 15000 feet.  
 Vibration and high impact shock tested to U.S. Mil. standard 167 and 901 C.

### Main Dimensions:



A port: Close (clockwise seen from above), B port: Open

The company policy aims at continuous improvement of the products and therefore all rights to the specifications without notice are reserved.



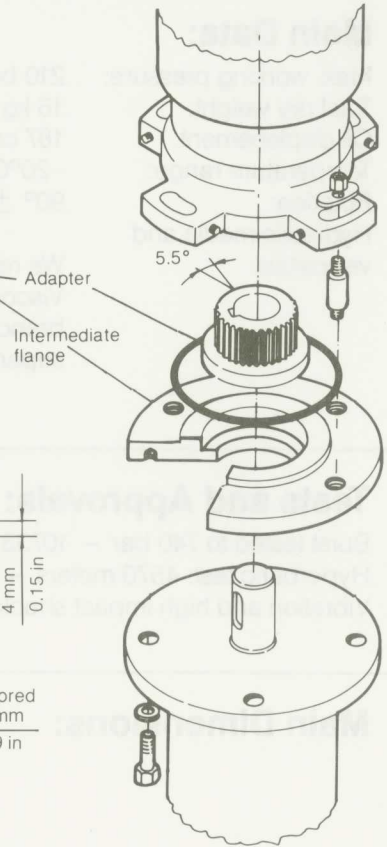
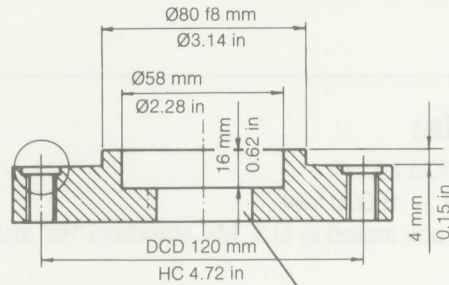
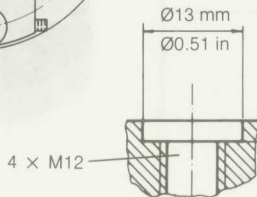
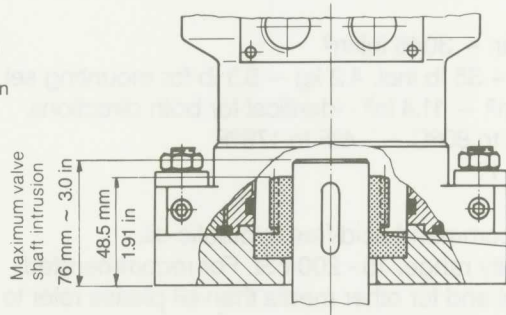
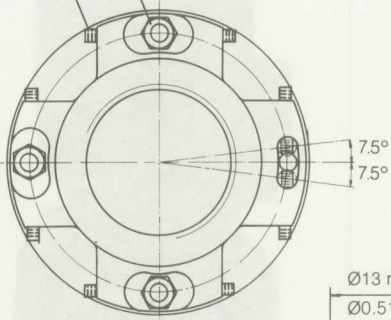
# BRC 012

## Hydraulic Double-Acting Balanced Rotary Actuator 90° (Quarterturn)

A1

### Valve Adaption:

Adjustment screw, torque: 13 Nm ~ 110 lbf·in  
Fastening nut, torque: 35 Nm ~ 300 lbf·in



Limits for the Machining of the Adapter

Shape					
mm	30	30	30	26	p+q 38
in	1.18	1.18	1.18	1.02	1.5

Pre-bored  
Ø20 mm  
Ø0.79 in

### Performance:

