

PARTS-, SPARE & MATERIAL LIST

Emerson Process Management
Marine Solutions
Damcos A/S

Component: type & version

ACTUATOR BRC 250 B1

Material no.:

160N1098

Alt.: 1

Aaderupvej 41
DK-4700 Naestved
Denmark
T +45 5578 7200
F +45 5578 7272

Page 1 of 2

Notes: All items with stated material number can be purchased as spare parts.
When ordering spare parts: please state material number.

Document numbers referred to: 160N9046

Posnr	Material	Description/ Compound	CTM No.	Quantity	Unit
0001		HOUSING BRC 250 GGG40 (W.no.0.7040)	A05	1,000	PC
0002		PISTON BRC 250 GGG40 (W.no.0.7040)	A10	1,000	PC
0003	160N0551	TOP PART BRC 250 GGG40 (W.no.0.7040)	A10	1,000	PC
0004	160N0783	POS.SHAFT BRC 250 B1 X5CrNiMo17 12 2 (W.no.1.4401)	F20	1,000	PC
0005	160N0784	Splined shaft BRC 250 B1 20MnV6 (W.no.1.5217)	B54	1,000	PC
0006	160N0557	Bottom cover BRC 250 GGG40 (W.no.0.7040)	A10	1,000	PC
0007	160N0841	TOP PART COVER BRC 250 X5CrNiMo17 13 3 (W.no.1.4436)		1,000	PC
0008	160N0559	WASHER BRC 250 9SMnPb28 (W.no.1.0718)	B 10	1,000	PC
0009		X-RING Ø23,39X3,53 PD 85	PD	3,000	PC
0010		X-RING Ø45.69*2.62 NBR 80	NBR	1,000	PC
0011		X-RING Ø56,75*3,53 NBR 80	NBR	3,000	PC
0013		O-RING Ø23,52X1,78 NBR 70	NBR	1,000	PC
0014		O-RING Ø23,4X3,53 NBR 70	NBR	1,000	PC

PARTS-, SPARE & MATERIAL LIST

Emerson Process Management
Marine Solutions
Damcos A/S

Component: type & version
ACTUATOR BRC 250 B1
Material no.:
160N1098
Alt.: 1

Aaderupvej 41
DK-4700 Naestved
Denmark
T +45 5578 7200
F +45 5578 7272

Page 2 of 2

Refnr	Material	Description/ Compound	CTM No.	Quantity	Unmsr
0015		O-RING Ø69,52*2.62 NBR 70	NBR	1,000	PC
0016	251-1529	SCREW M4X12 X5CrNiMo18 12 (W.no.1.4436)	7A4	3,000	PC
0017	251-0103	SCREW M8X20	08.8	1,000	PC
0018	390-0009	THRUST CAGE D45 USt.13 (W.no.1.0333)	P0L	1,000	PC
0019	390-0109	THRUST WASHER D45 100Cr6 (W.no.1.3505)	ROL	2,000	PC
0021		SEALING PLUG D6/5.3X6.5		1,000	PC
0022	160G2280	STOP VALVE D4		1,000	PC
0023		NAME PLATE FOR BRC 250 B1 160N1098	F90	1,000	PC
0024		RIVET D1,9X5	5/A4	2,000	PC
0025	160N1049	VALVE SEAT		1,000	PC
0026	160G5044	PLUG 3/8 INCH WG		1,000	PC
0027	160B4500	YOKE F. DPI BRC 125 - 250, L=18,0 POM-C	P01	1,000	PC
	160N1082	PAINT PLUG 1/4 INCH F.BRC		2,000	PC
SPARE	----->	160N1260, SET OF SEALS FOR BRC 250 POS.9,10,11,13,14,15,25,33.		1,000	PC
INFO	----->	160N1170 COMMON PART BRC 250 POS.30,31,32,33,34,35,36.		1,000	PC
INFO	----->	160N1194 COMMON PARTS BRC 250 STAINLESS POS.30,31,32,33,34,35,36.		1,000	PC

PARTS-, SPARE & MATERIAL LIST

Component: type & version
SET OF SEALS FOR BRC 250 B1

Material no.:
160N1260

Bom usage: Production. Alt.:1

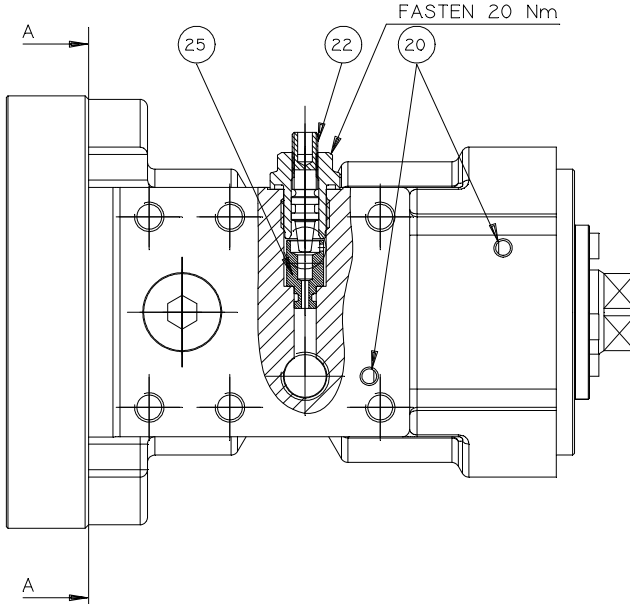
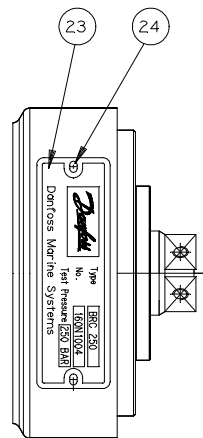
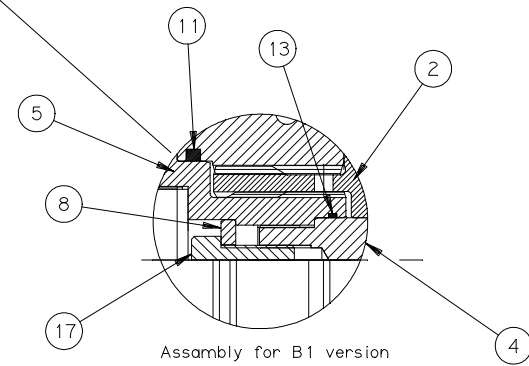
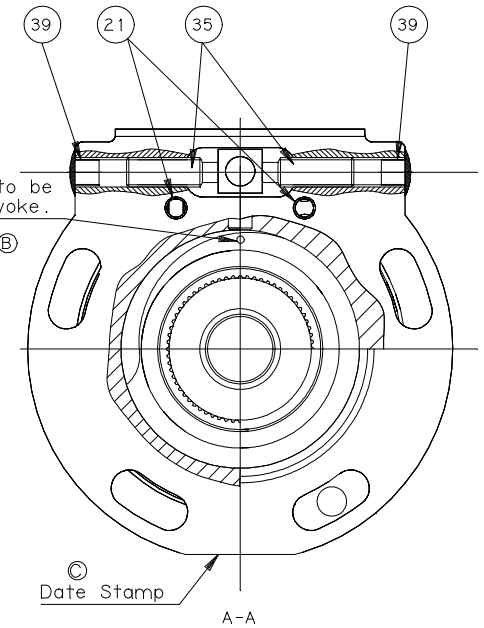
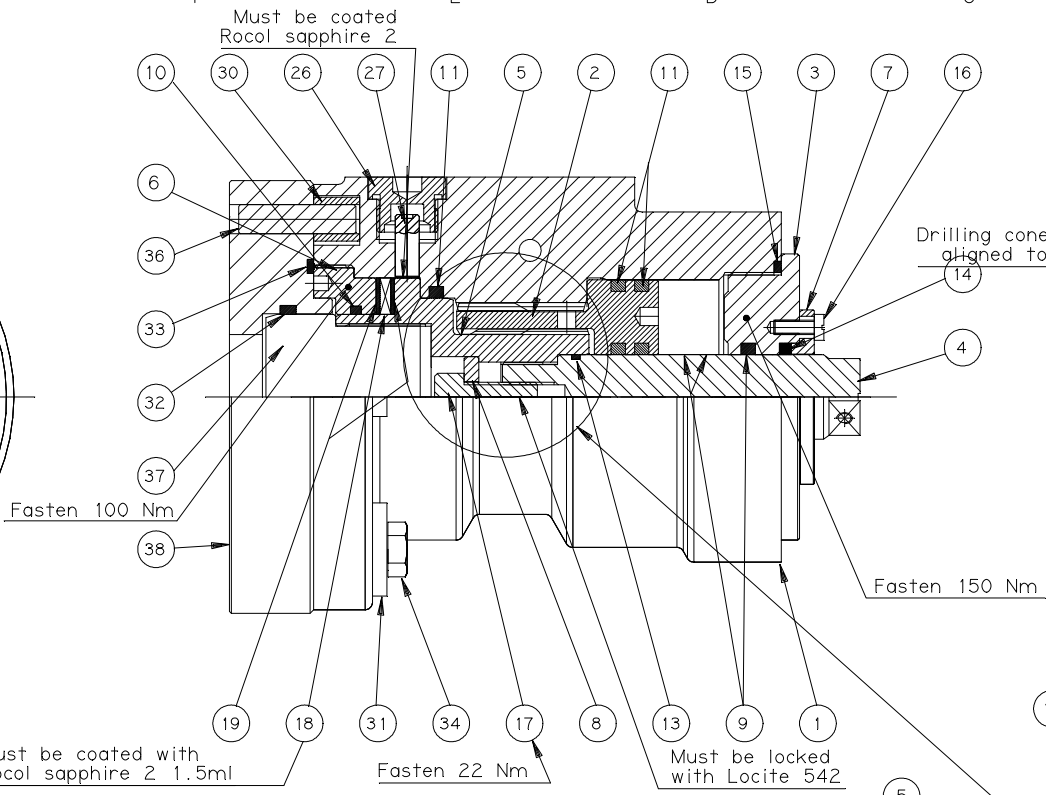
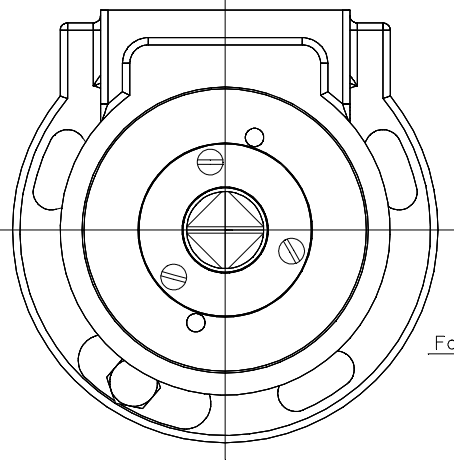
Emerson Process Management
 Marine Tank Management
 Damcos A/S

Aaderupvej 41
 DK-4700 Naestved
 Denmark
 T +45 5578 7200
 F +45 5578 7272

Page 1 of 1

Notes: All items with stated material number can be purchased as spare parts.
 When ordering spare parts: please state material number.

Refnr	Material	Description/ Compound	CTM No.	Quantity	Unmsr
0009		X-RING Ø23,39X3,53 PD 85	PD	3,000	PC
0010		X-RING Ø45.69*2.62 NBR 80	NBR	1,000	PC
0011		X-RING Ø56,75*3,53 NBR 80	NBR	3,000	PC
0013		O-RING Ø23,52X1,78 NBR 70	NBR	1,000	PC
0014		O-RING Ø23,4X3,53 NBR 70	NBR	1,000	PC
0015		O-RING Ø69,52*2.62 NBR 70	NBR	1,000	PC
0025		O-RING Ø3,1X1,6 NBR 70	NBR	1,000	PC
0033		O-RING Ø67,95*2,62 NBR 70	NBR	1,000	PC
0033		O-RING Ø66,04X5,33 NBR 70	NBR	1,000	PC



ORDER NO.:	QUANTITY	THIS PRINT IS PROVIDED ON A RESTRICTED BASIS. THIS PRINT IS TO BE RETURNED UPON REQUEST. IT IS TO BE USED ONLY FOR THE PURPOSE FOR WHICH IT WAS DESIGNED, IF PROVIDED AND IS NOT TO BE COPIED, IN ANY MANNER, NOR INFORMATION THEREFROM TO BE PASSED ON TO OTHERS WITHOUT THE EXPRESSED PERMISSION OF DAMCOS A/S.	NUMBER:	UNITY	MAT. QUALITY/SURFACE TREATMENT																																																																																												
IF NOTHING ELSE SPECIFIED GENERAL INFORMATION:		SCALE:	EDITION:	REV.:	DATE:																																																																																												
<table border="1"> <tr> <th>NUMBER</th> <th>TOLERANCE</th> <th>FINISH</th> <th>ROUGHNESS</th> </tr> <tr> <td>0.1 - 3</td> <td>± 0.1</td> <td>12.5</td> <td>3.2</td> </tr> <tr> <td>3 - 30</td> <td>± 0.2</td> <td>6.3</td> <td>1.6</td> </tr> <tr> <td>30 - 150</td> <td>± 0.3</td> <td>3.2</td> <td>0.8</td> </tr> <tr> <td>150 - 510</td> <td>± 0.5</td> <td>1.6</td> <td>0.4</td> </tr> <tr> <td>510 - 1000</td> <td>± 0.8</td> <td>0.8</td> <td>0.2</td> </tr> </table>	NUMBER	TOLERANCE	FINISH	ROUGHNESS	0.1 - 3	± 0.1	12.5	3.2	3 - 30	± 0.2	6.3	1.6	30 - 150	± 0.3	3.2	0.8	150 - 510	± 0.5	1.6	0.4	510 - 1000	± 0.8	0.8	0.2	<table border="1"> <tr> <th>FIRST ANGLE PROJECTION</th> <th>ISO METHOD C</th> </tr> <tr> <td>1:1</td> <td></td> </tr> </table>	FIRST ANGLE PROJECTION	ISO METHOD C	1:1		<table border="1"> <tr> <th>REV.</th> <th>DATE</th> <th>CHKD.</th> <th>APPV.</th> </tr> <tr> <td>0</td> <td>010207</td> <td>HGL</td> <td>FRI</td> </tr> <tr> <td></td> <td>010322</td> <td>UHC</td> <td>HGL</td> </tr> <tr> <td></td> <td>5462</td> <td>010815</td> <td>HGL</td> </tr> <tr> <td></td> <td>5499</td> <td>011002</td> <td>HGL</td> </tr> <tr> <td></td> <td>6152</td> <td>041109</td> <td>HGL</td> </tr> <tr> <td></td> <td>6304</td> <td>050526</td> <td>HGL</td> </tr> <tr> <td></td> <td>6740</td> <td>080516</td> <td>KBE</td> </tr> <tr> <td></td> <td>6874</td> <td>090901</td> <td>SJO</td> </tr> <tr> <td></td> <td>7142</td> <td>120306</td> <td>KBE</td> </tr> </table>	REV.	DATE	CHKD.	APPV.	0	010207	HGL	FRI		010322	UHC	HGL		5462	010815	HGL		5499	011002	HGL		6152	041109	HGL		6304	050526	HGL		6740	080516	KBE		6874	090901	SJO		7142	120306	KBE	<table border="1"> <tr> <th>DESCRIPTION</th> <th>IS-NO:</th> <th>TOTAL WEIGHT</th> </tr> <tr> <td>A</td> <td>D3</td> <td>6740</td> </tr> <tr> <td>B</td> <td></td> <td>6874</td> </tr> <tr> <td>C</td> <td>B4</td> <td>7142</td> </tr> </table>	DESCRIPTION	IS-NO:	TOTAL WEIGHT	A	D3	6740	B		6874	C	B4	7142	<table border="1"> <tr> <th>REV.</th> <th>DATE</th> <th>CHKD.</th> <th>APPV.</th> </tr> <tr> <td>/</td> <td></td> <td></td> <td></td> </tr> </table>	REV.	DATE	CHKD.	APPV.	/				<table border="1"> <tr> <th>DATE</th> <th>DRAW. NO.:</th> </tr> <tr> <td>/</td> <td>160N9046</td> </tr> </table>	DATE	DRAW. NO.:	/	160N9046
NUMBER	TOLERANCE	FINISH	ROUGHNESS																																																																																														
0.1 - 3	± 0.1	12.5	3.2																																																																																														
3 - 30	± 0.2	6.3	1.6																																																																																														
30 - 150	± 0.3	3.2	0.8																																																																																														
150 - 510	± 0.5	1.6	0.4																																																																																														
510 - 1000	± 0.8	0.8	0.2																																																																																														
FIRST ANGLE PROJECTION	ISO METHOD C																																																																																																
1:1																																																																																																	
REV.	DATE	CHKD.	APPV.																																																																																														
0	010207	HGL	FRI																																																																																														
	010322	UHC	HGL																																																																																														
	5462	010815	HGL																																																																																														
	5499	011002	HGL																																																																																														
	6152	041109	HGL																																																																																														
	6304	050526	HGL																																																																																														
	6740	080516	KBE																																																																																														
	6874	090901	SJO																																																																																														
	7142	120306	KBE																																																																																														
DESCRIPTION	IS-NO:	TOTAL WEIGHT																																																																																															
A	D3	6740																																																																																															
B		6874																																																																																															
C	B4	7142																																																																																															
REV.	DATE	CHKD.	APPV.																																																																																														
/																																																																																																	
DATE	DRAW. NO.:																																																																																																
/	160N9046																																																																																																
Damcos ASSEMBLY DRAWING BRC 250																																																																																																	