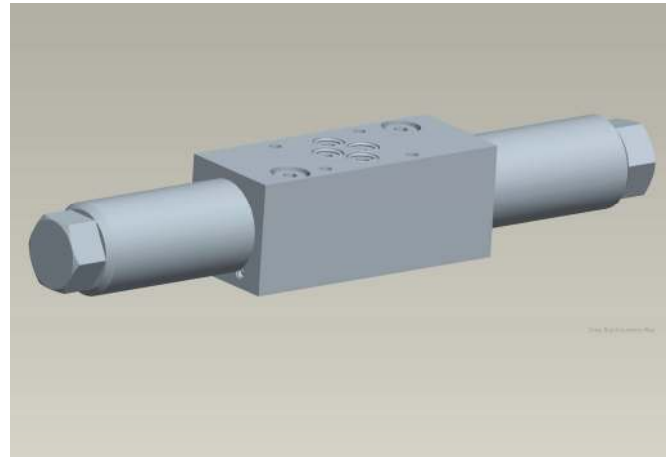


Damcos™ DRLV-3

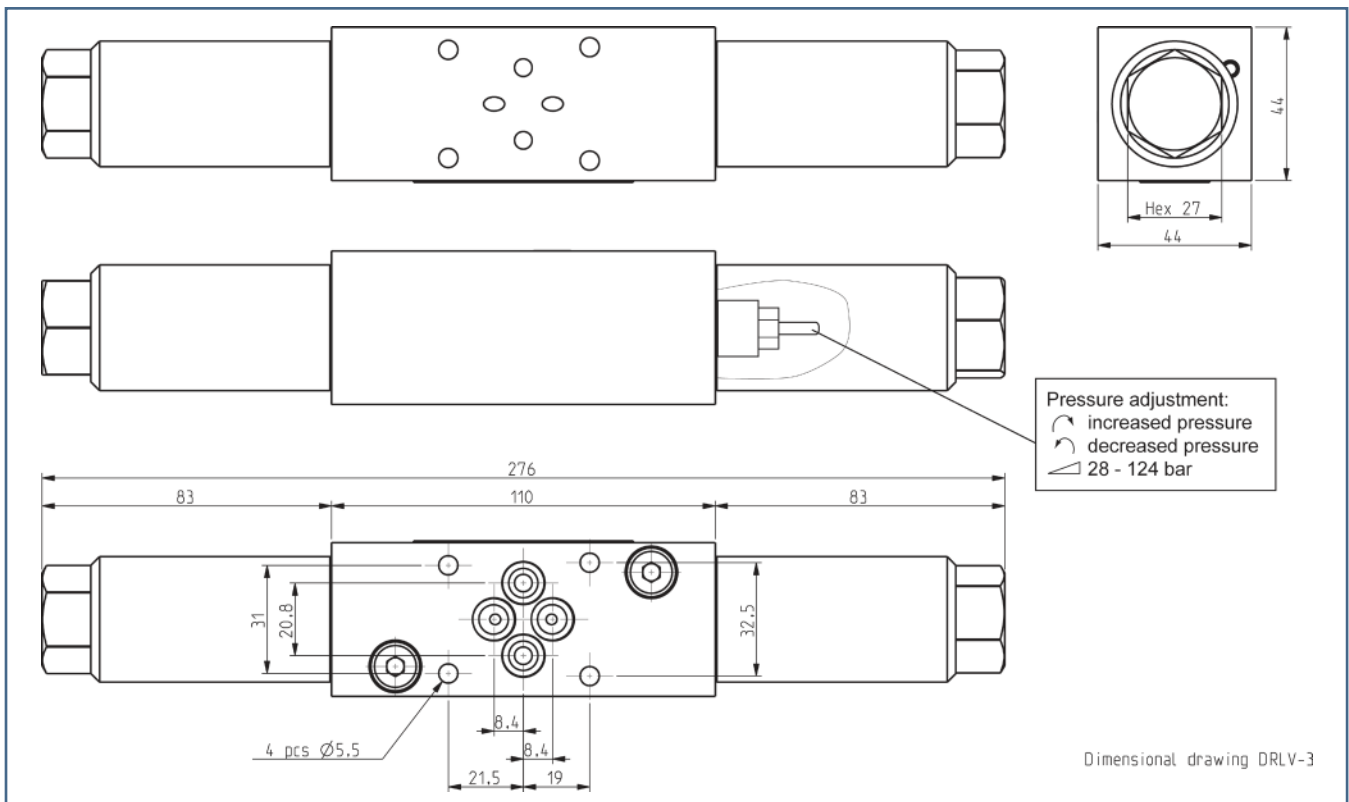
Double Pressure Reduction Valve

The DRLV-3 is a double pressure reduction valve used to reduce actuators torque/thrust. It adjust actuators with a high torque/thrust to protect the valve. The DRLV-3 is used both for rotary and linear actuators that in some cases provides too high torque/thrust to the valves. The throttle block has NG6 connection.



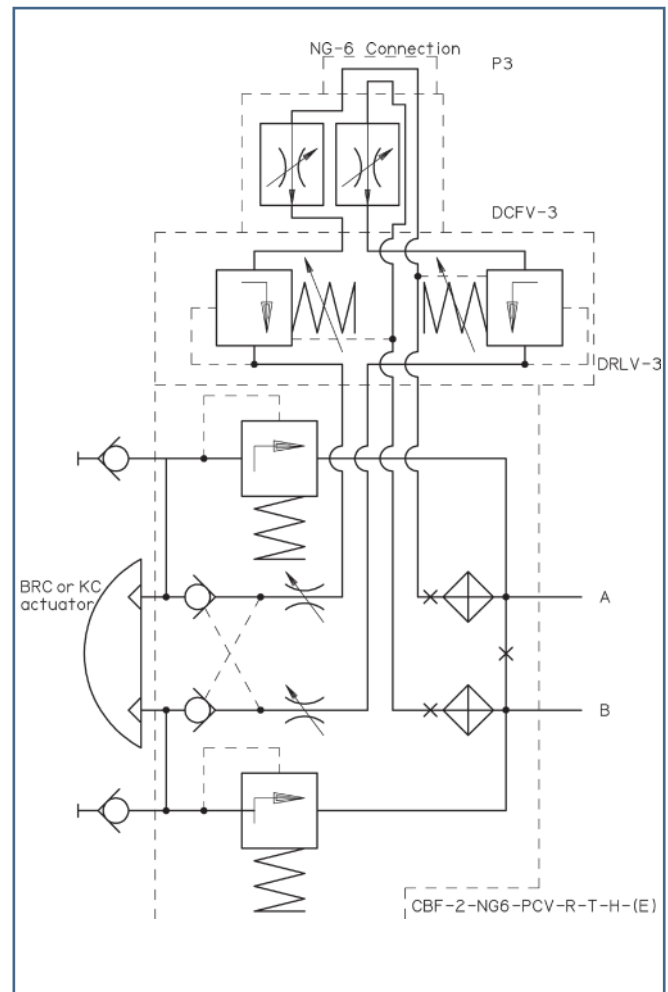
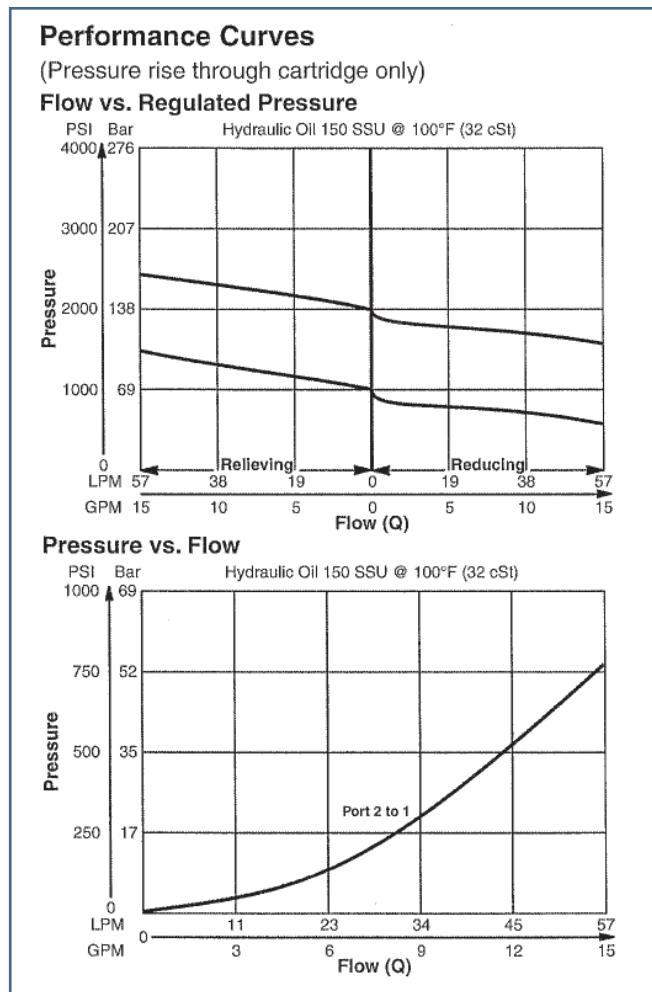
Technical Data	
Maximum working pressure	135 bar
Maximum test pressure	225 bar
Weight	2.5 kg
Materials	Body of brass

Main Dimensions



Performance Curve DRLV-3

Application Example



©2012 Emerson Process Management. All rights reserved.

The Emerson logo is a trademark and service mark of Emerson Electric Co. Damcos® and the Damcos logotype are registered trademarks of Damcos A/S.

Emerson Process Management

Damcos A/S
Aaderupvej 41
DK-4700 Naestved
T +45 5578 7200
F +45 5578 7272

www.EmersonProcess.com/mtm

The contents of this publication are presented for information purposes only, and while effort has been made to ensure their accuracy, they are not to be construed as warranties or guarantees, expressed or implied, regarding the products or services described herein or their use or applicability. Standard Terms and Conditions of Sale can be issued by contacting Damcos A/S. We reserve the right to modify or improve the designs and specifications of our products at any time without notice. Damcos A/S accepts no responsibility for any errors that may appear in this publication.