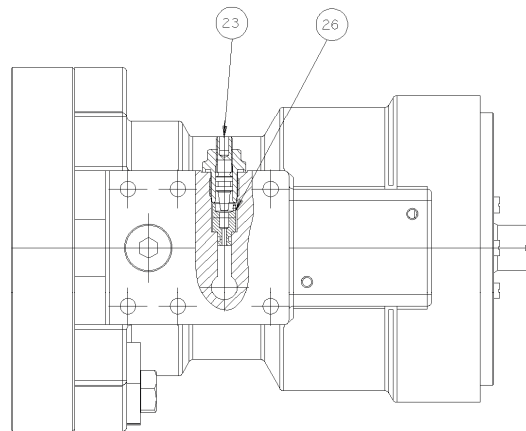


NOTE: This assembly used  
for items: - VAI20779  
- VA000-114-97



**SH 4.5**  
**VA000-105-09**

BILL OF MATERIALS AND SPARE PARTS LIST FOR SH 4.5			SH Series Actuator
Bill of Material no.: <b>VA000-105-09</b>			Page 1 of 1
Notes: Order all items with a listed material number as spare parts. When ordering spare parts: please state material number.			
Reference Drawing: VA000-105-09			
Balloon Number	Material	Description/Compound	Quan.
1	GGG 40 Duct. Iron	HOUSING BRC 1000	1
2	GGG 40 Duct. Iron	Piston BRC 1000	1
3	160N0601	Top Cover BRC 1000 (GG40)	1
4	160N0787	Pos. Shaft BRC 1000 BRC B1 (X5CRNiMo17 12 2)	1
5	160N0788	Splined Shaft BRC 1000 B1 OVAKO 520M	1
6	160N0605	Bottom Cover BRC 1000 (GGG40)	1
7	160N0843	Shaft Seal Cover BRC 1000-2000-4000-8000-16000 (X5CRNiMo17 13 3)	1
9	Buna-N	X-Ring 212 70 Duro	3
10	Buna-N	X-Ring 149 70 Duro	1
11	Buna-N	X-Ring 236 70 Duro	1
12	Buna-N	X-Ring 239 70 Duro	2
13	Buna-N	O-Ring 875 ID x .094 479 70	1
14	Buna-N	O-Ring 568-212 479 70	1
15	Buna-N	O-Ring 568-157 479 70	1
16	Buna-N	O-Ring 568-254 479 70	1
17	251-1531	Screw M4 X 16	3
18	267-0014	Snap Ring External Ø17	1
19	390-0014	Thrust Bearing Ø70 USt.13	1
20	390-0114	Thrust Washer Ø70 100Cr6	2
23	160G2280	Stop Valve Ø4	1
26	160N1049	Valve Seat NBR 70	1
27	160G5044	Plug 3/8 Inch WG CuZn39PPb3 (W.no.2.0401)	1
28	160B4503	Yoke F. DPI BRC 1000 – 2000 L=27.75 POM –C	1
32	160N1020	Bearing for Alignment BRC 1000	1
33	160N0609	Banana Washer BRC 1000	6
34	160N0611	Bearing Strip	1
35	Buna N	O-ring 568-154 479-70	1
36	251-2132	Screw M10 x 40	6
37	250-1682	Screw M10 x 65	2
38	271-2285	Cylinder Pin 012 x 40	1
39	160N0610	Adapter	1
40	160N0646	Flange Adapter BRC 1000	1