

PARTS-, SPARE & MATERIAL LIST				Emerson Process Management Marine Solutions Damcos A/S	
Component: type & version ACTUATOR BRC 2000 B1				Aaderupvej 41 DK-4700 Naestved Denmark T +45 5578 7200 F +45 5578 7272	
Material no.: 160N1101					
Alt.: 1					
Notes: All items with stated material number can be purchased as spare parts. When ordering spare parts: please state material number.				Page 1 of 2	
Document numbers referred to: 160N9045					
Posnr	Material	Description/ Compound	CTM No.	Quantity	Unit
0001		HOUSING BRC 2000 GGG40 (W.no.0.7040)	A05	1,000	PC
0002		Piston BRC 2000 GGG40 (W.no.0.7040)	A10	1,000	PC
0003	160N0562	TOP PART BRC 2000 GGG40 (W.no.0.7040)	A10	1,000	PC
0005	160N0790	Splined shaft BRC 2000 B1 20MnV6 (W.no.1.5217)	B54	1,000	PC
0006	160N0566	Bottom cover BRC 2000 GGG40 (W.no.0.7040)	A10	1,000	PC
0007	160N0843	TOP PART BRC 1000-2000-4000-8000-16000 X5CrNiMo17 13 3 (W.no.1.4436)		1,000	PC
0009		X-RING Ø21,82X3,53 PD 85	PD	3,000	PC
0010		X-RING Ø94,92*2,62 NBR 80	NBR	1,000	PC
0011		X-RING Ø104,37*3,53 NBR 80	NBR	1,000	PC
0012		X-RING Ø113,89*3,53 NBR 90	NBR	2,000	PC
0013		O-RING Ø22,3X2,4 NBR 70	NBR	1,000	PC
0014		O-RING Ø21,82*3,53 NBR 70	NBR	1,000	PC
0015		O-RING Ø133.07*1.78 NBR 70	NBR	1,000	PC

PARTS-, SPARE & MATERIAL LIST

Emerson Process Management
Marine Solutions
Damcos A/S

Component: type & version
ACTUATOR BRC 2000 B1
Material no.:
160N1101
Alt.: 1

Aaderupvej 41
DK-4700 Naestved
Denmark
T +45 5578 7200
F +45 5578 7272

Page 2 of 2

Refnr	Material	Description/ Compound	CTM No.	Quantity	Unmsr
0016		O-RING Ø113.97*2.62 NBR 70	NBR	1,000	PC
0017	251-1531	SCREW M4X16 X5CrNiMo18 12 (W.no.1.4436)	7A4	3,000	PC
0018	267-0014	SNAP RING EXTERNAL Ø17 W.no.1.1248	Y05	1,000	PC
0019	390-0018	THRUST CAGE D90 USt.13 (W.no.1.0333)	POL	1,000	PC
0020	390-0118	THRUST WASHER D90 100Cr6 (W.no.1.3505)	ROL	2,000	PC
0021		SEALING PLUG D6/5.3X6.5		1,000	PC
0023		SET SCREW/CUP POINT M10X30 X5CrNiMo17 12 2 (W.no.1.4401)	7A4	2,000	PC
0024	160G2280	STOP VALVE D4		1,000	PC
0025		NAME PLATE FOR BRC 2000 B1 160N1101	F90	1,000	PC
0026		RIVET D1,9X5	5/A4	2,000	PC
0027	160N1049	VALVE SEAT		1,000	PC
0028	160G5044	PLUG 3/8 INCH WG		1,000	PC
0029	160B4503	YOKE F. DPI BRC 1000 - 2000 L=27,75 POM-C	P01	1,000	PC
	160N1082	PAINT PLUG 1/4 INCH F.BRC		2,000	PC
SPARE	----->	160N1263, SET OF SEALS FOR BRC 2000 POS. 9, 10, 11, 12, 13, 14, 15, 16, 27, 35.		1,000	PC
INFO	----->	160N1173, COMMON PART BRC 2000 POS. 32, 33, 34, 35, 36, 37, 38.		1,000	PC
INFO	----->	160N1197 COMMON PARTS BRC 2000 STAINLESS POS. 32, 33, 34, 35, 36, 37, 38.		1,000	PC

PARTS-, SPARE & MATERIAL LIST

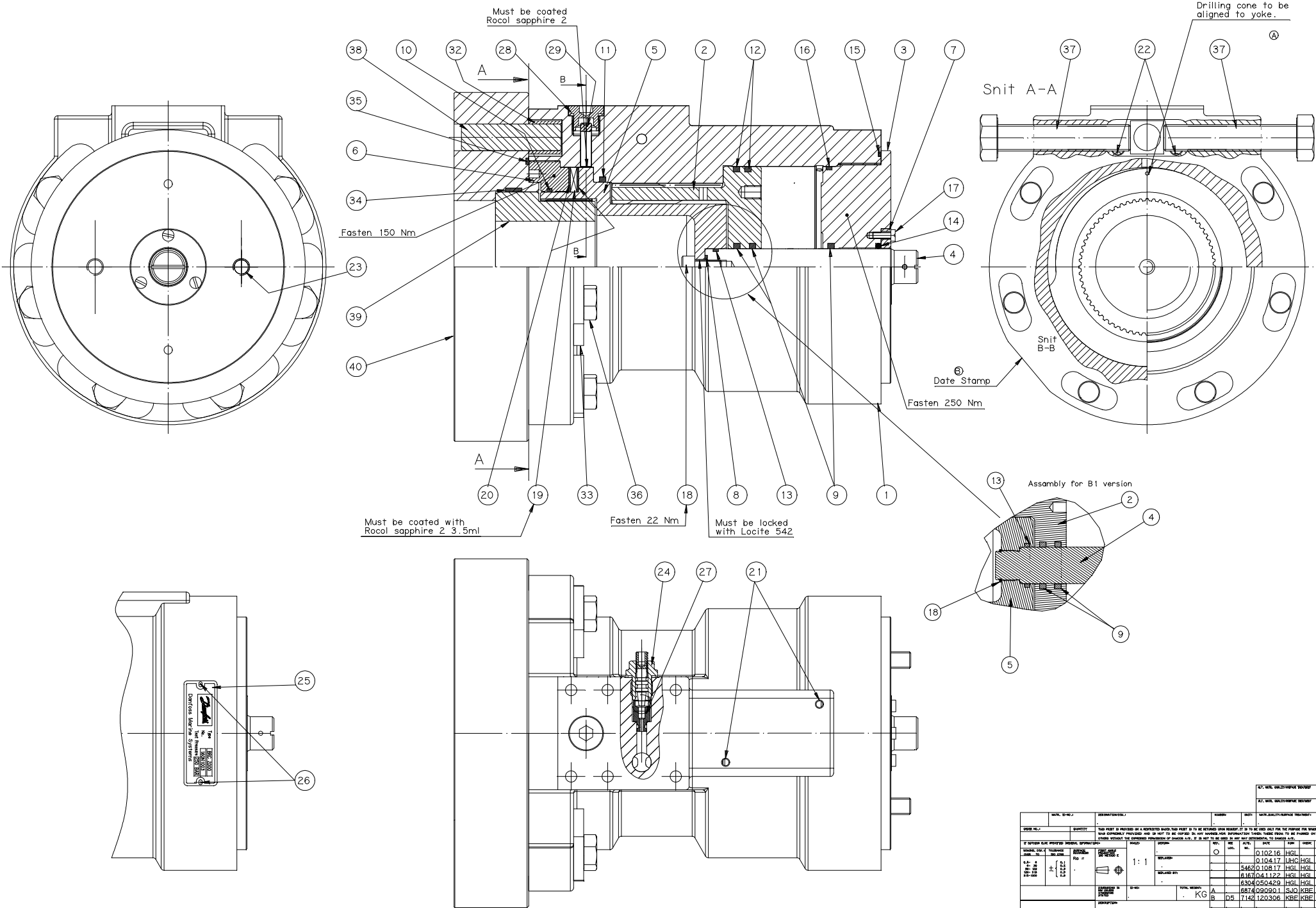
Component: type & version
SET OF SEALS FOR BRC 2000 B1
 Material no.:
160N1263
 Bom usage: Production. Alt.:1

Emerson Process Management
 Marine Tank Management
 Damcos A/S

Aaderupvej 41
 DK-4700 Naestved
 Denmark
 T +45 5578 7200
 F +45 5578 7272

Notes: All items with stated material number can be purchased as spare parts.
 When ordering spare parts: please state material number.

Refnr	Material	Description/ Compound	CTM No.	Quantity	Unmsr
0009		X-RING Ø21,82X3,53 PD 85	PD	3,000	PC
0010		X-RING Ø94,92*2,62 NBR 80	NBR	1,000	PC
0011		X-RING Ø104,37*3,53 NBR 80	NBR	1,000	PC
0012		X-RING Ø113,89*3,53 NBR 90	NBR	2,000	PC
0013		O-RING Ø22,3X2,4 NBR 70	NBR	1,000	PC
0014		O-RING Ø21,82*3,53 NBR 70	NBR	1,000	PC
0015		O-RING Ø133.07*1.78 NBR 70	NBR	1,000	PC
0016		O-RING Ø113.97*2.62 NBR 70	NBR	1,000	PC
0027		O-RING Ø3,1X1,6 NBR 70	NBR	1,000	PC
0035		O-RING Ø120,32X2,62 NBR 70	NBR	1,000	PC
0035		O-RING Ø120,02X5,33 NBR 70	NBR	1,000	PC



OBJEKT		MATERIAL		MATERIAL		MATERIAL		MATERIAL					
OBJEKT	QUANTITÄT	PROZESS	PROZESS	PROZESS	PROZESS	PROZESS	PROZESS	PROZESS	PROZESS				
010216	HGL	010417	LHC	HGL	5462	010817	HGL	HGL	8167	041122	HGL	HGL	
6304	050429	HGL	HGL	6874	090801	SJO	KBE	7142	120306	KBE	KBE		
DAMCOS		ASSEMBLY DRAWING		BRC 2000									
160N9045													