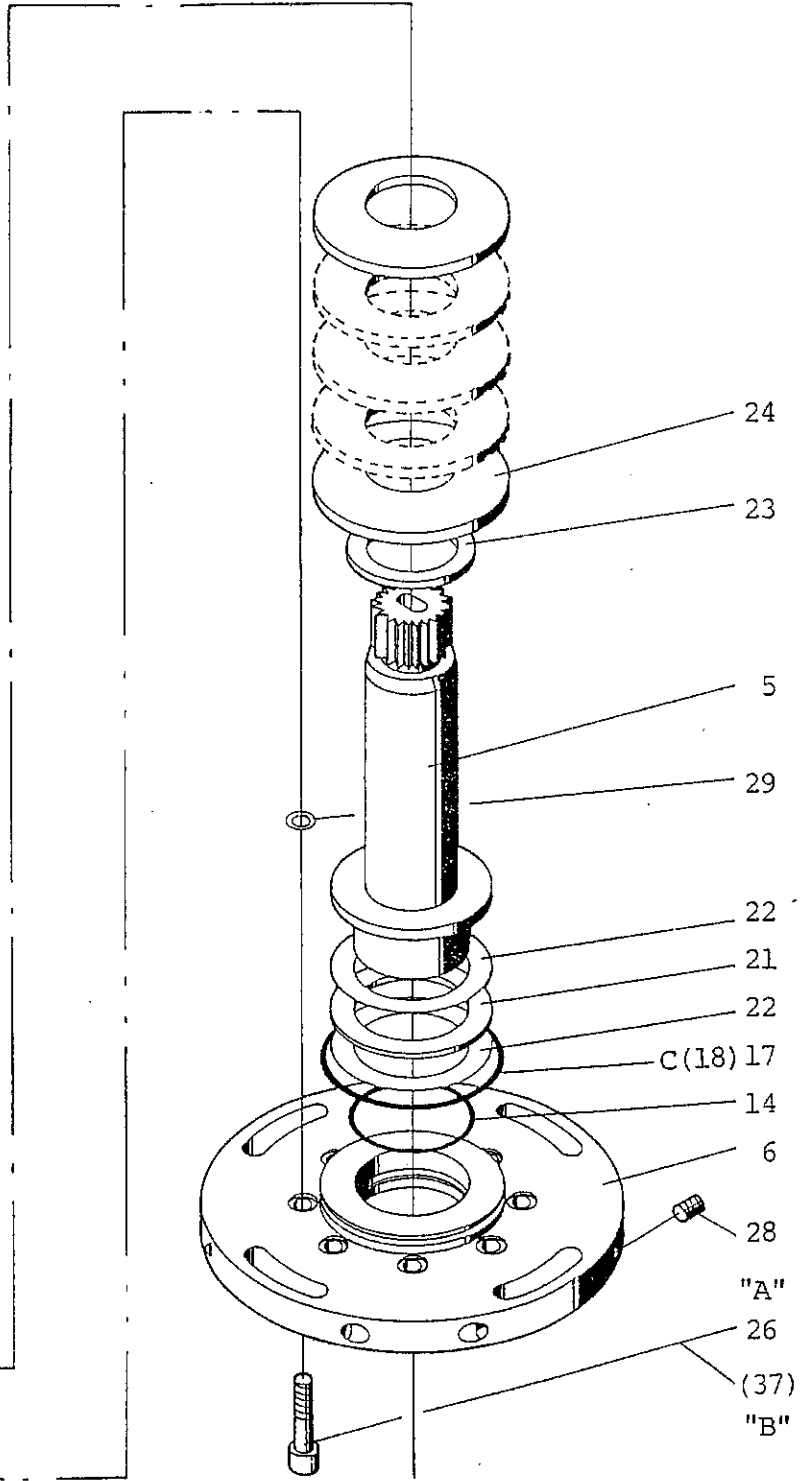
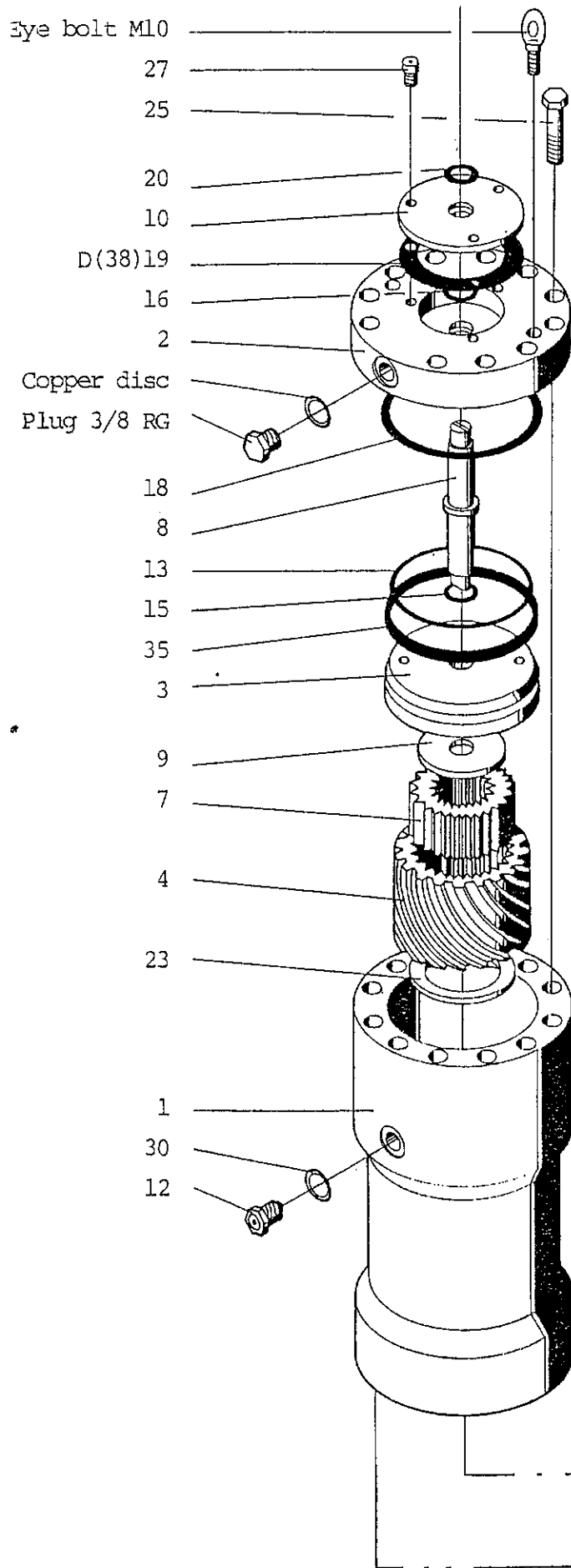


C: BPCF-B1: 002, 012, 014

D: Approx. BRCF 002-B1



B: Covered with warning plates