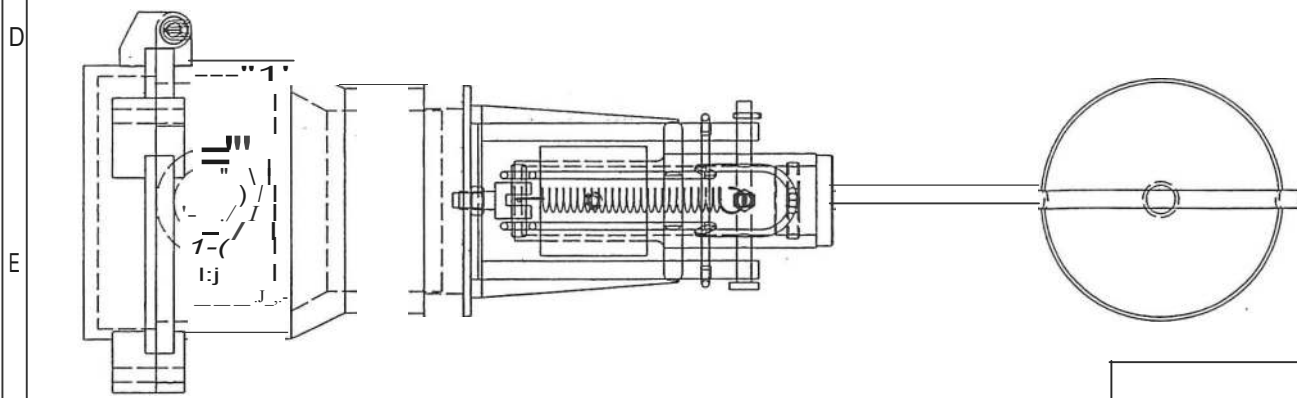


106

188



Parts list					
Part Drawing	Item	Description	Material	Vendor	Cn. I Mass
Description	1	MOBREYS01DB	Bronze	BMS01DB	1
Description		MAGNETSOI	Bronze	BMSK138	1
			Messing	BMLVA:GTKLOPSI	
		IOJEKSELS01DB	Plast		
Description		SPUT4MM	Rustfritstal		
Description		GAFBOLT	Rustfritstal		
Description		2MMB0JLE2	Bronze		
Description	11	FJEDERSPUT	Rustfritstal		
Description	12	M4MTRMESS	Messing		
Description	13	FJEDERSKRUE	Messing		
Description	14	SPUT4MML15	Rustfritstal		
Description	15	FJEDER	Bronze		
Description	16	3-SSPUT	Rustfritstal		1 1
Description	17	SPUT	Rustfritstal		
Description	18	MSMTRSS	Rustfritstal		
Description	19	M4UNBRACO	Rustfritstal		
Description	20	OIL-CUP-188- TYPE II	Rustfritstal		

<p>v.m3:w.,lW:ev•••g.l j•:J•F•WI Roekildevej 0-10. DX U20 IctU. 43M757S Jylland 63UU33</p>			Surface	Sete	Position	Outlity
Date	Name		<p>Mabrey Oil Swit ch L18812511 Samletegning</p>			
Drawn	106.10.2000	I. Warnecke				
Checked	06.10.2000	I. Warnecke				
<p>Slald Changes</p>			<p>10061000</p>		<p>Pg 6.10.1000</p>	
Date	Name	Filename	<p>FILE: /p/06.10.2000/10061000/10061000.dwg</p>			