

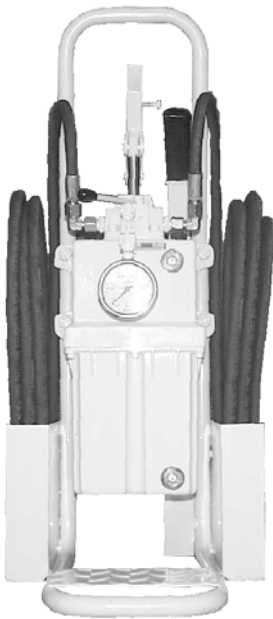
Product Data Sheet

SD 6601-2E03

August 2008

Damcos® PHP 25-05

Portable hand pump unit 5 l.



DAMCOS®


EMERSON™
Process Management

Damcos® PHP 25-05

General description

Double-acting portable hand pump incl. 5 l. reservoir and built-in 4/3-way pilot valve for opening and closing of valves mounted with DKMS actuators.

The pump is mounted with female screw connections, which fit the male part mounted on DKMS connection and mounting blocks.

Main data

Max. system working pressure:	135 bar - 1960 lbf/in ²
Max. system test pressure:	205 bar - 2970 lbf/in ²
Max. hand pump pressure:	300 bar - 4300 lbf/in ²
Safety valve settings:	180 bar
Weight with 5 l. oil:	20 kg - 44 lbs
Oil displacement per double stroke:	25 cm ³ - 1.525 in ³
Oil viscosity range:	15 - 300 cSt
Temperature range:	-15°C to 80°C - 5°F to 176°F
Recommended oil filtration:	Should meet or be better than NAS 1630/10 or ISO Solid contaminant code 18/15
Standard hose:	4 m, other hoses on request

Product Data Sheet

SD 6601-2E03

August 2008

Damcos® PHP 25-05

Operation

In a 2-line system

Opening of valve:

- Close the stop valves on the control block mounted on the actuator.
- Connect the hoses "B" and "A" to the emergency control block (e.g. HS-block) mounted on the actuator.
- Turn the pilot valve on the hand pump to "open" position and continue to pump until the actuator or pressure gauge for nominal working pressure 105 (135) bar.
- The valve is prevented from closing when the pilot valve is placed in centre position.

Closing of valve:

- Turn the pilot valve on the handpump to "closed" position - otherwise as above.

In 1-line system

Opening of valve:

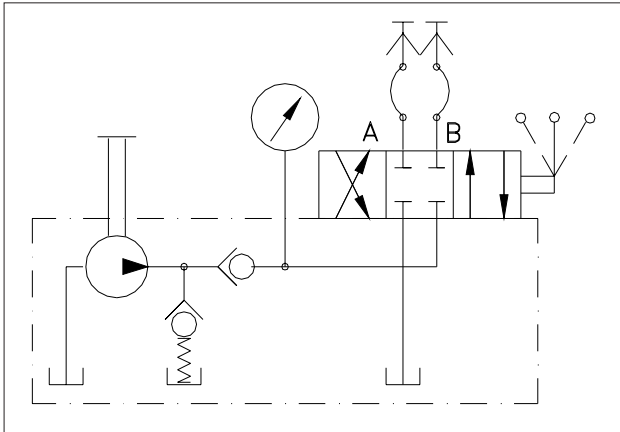
- Only hose "B" is used - otherwise as above.

Closing of valve:

- Turn the pilot valve on the hand pump to "closed" position. The actuator/valve closes with out pumping.

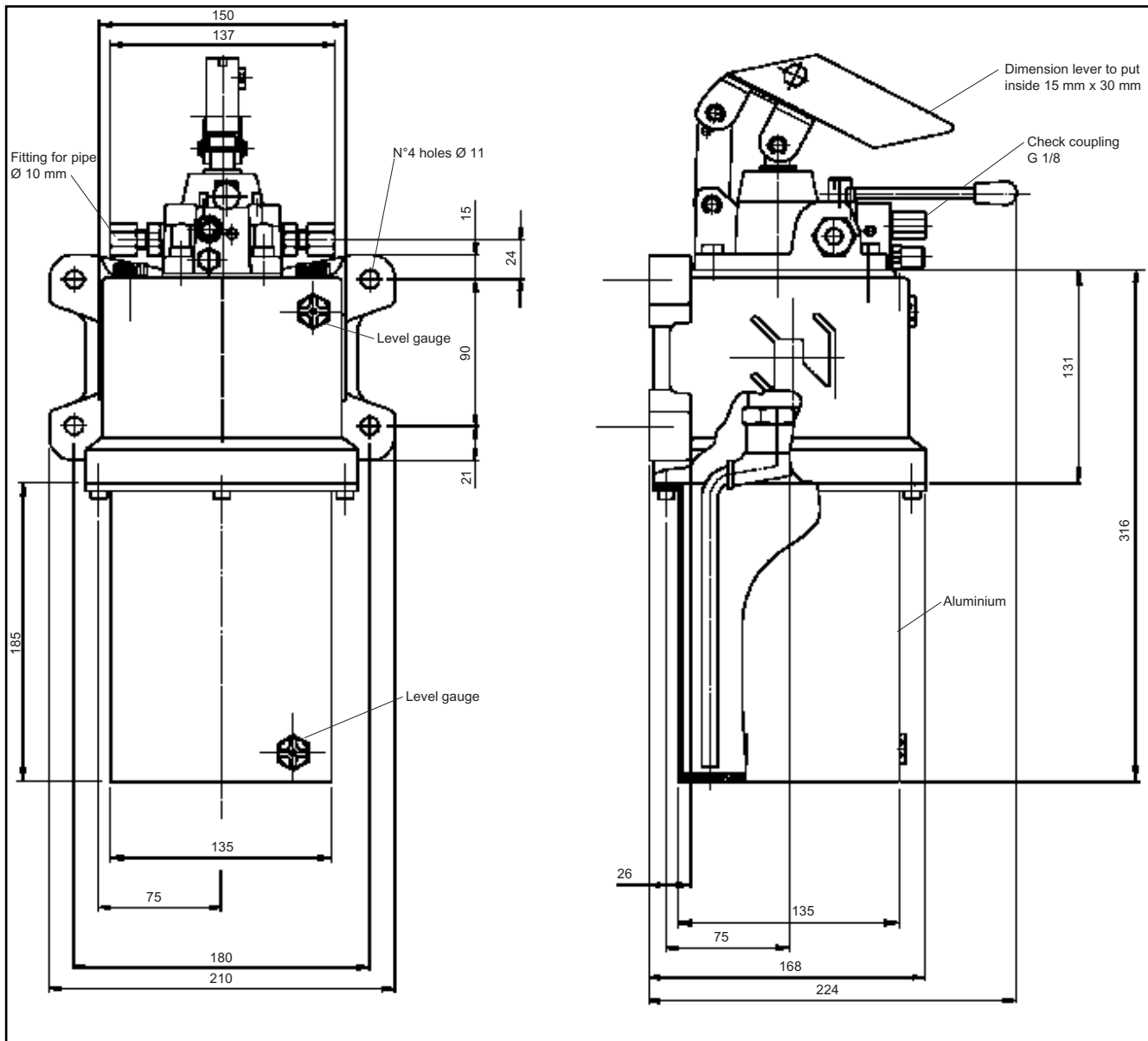
Note: After operation disconnect the hoses from the control block on the actuator and open the stop valves again.

Hydraulic diagram



Damcos® PHP 25-05

Main Dimensions



The Emerson logo is a trademark and service mark of Emerson Electric Co. Damcos and the Damcos logotype are registered trademarks of Damcos A/S. All rights reserved. The contents of this publication are presented for information purposes only, and while effort has been made to ensure their accuracy, they are not to be construed as warranties or guarantees, expressed or implied, regarding the products or services described herein or their use or applicability. All sales are governed by our terms and conditions, which are available upon request. We reserve the right to modify or improve the designs and specifications of our products at any time without notice. Damcos A/S accepts no responsibility for any errors that may appear in this publication.

This product is developed and managed by:
Emerson Process Management

Damcos A/S
Aaderupvej 41
DK-4700 Naestved
T +45 5578 7200
F +45 5578 7272

For global contacts:
www.EmersonProcess.com/marine