

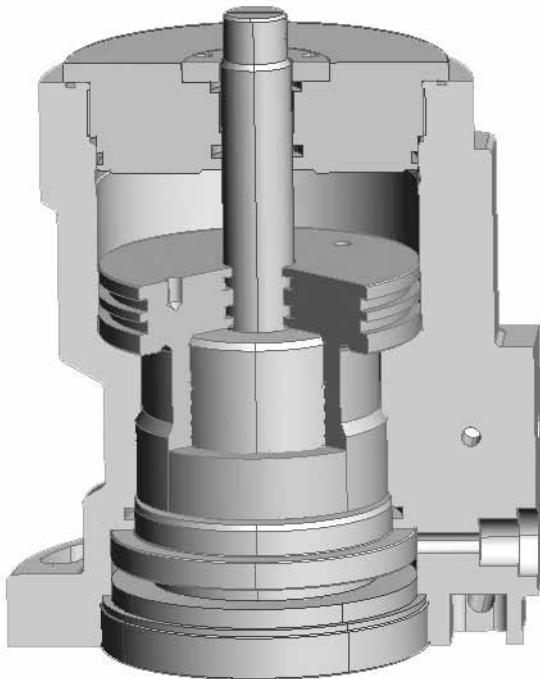
Product Data Sheet

SD 0100-2E03

September 2011

Damcos® BRC Series

Hydraulic double-acting balanced rotary actuator
90° quarter-turn



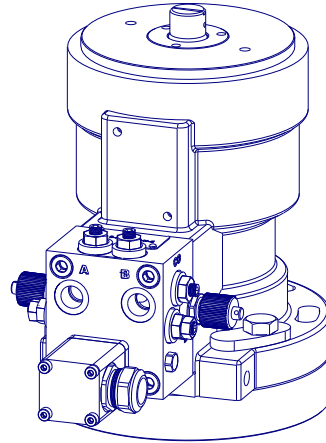
Damcos®


EMERSON™
Process Management

Damcos® BRC Series

The BRC actuator for operation of quarter-turn valves

- Unique and simple design with built-in crossover valve.
- Compactness and high-torque output.
- Reliable and rugged, with more than 30 years service records on basic design.
- Balanced rotary principle eliminates side forces and/or bending of valve spindle.
- Will operate in sea air as well as sea water.
- Easy adaption to all well-known quarter-turn valves.
- Unlimited mounting positions and with built-in adjustments for end stops of rotary movement.
- Prepared for direct built-on modular control functions.



Actuator mounted with control block and EI indicator

Standard optionals

- Hydraulic on/off indication (bypass).
- EI on/off or continuous indication IP 68.
- Connection block with e.g. filter.
- Double pilot operated non-return valve.
- Double release valve.
- Double throttle valve.
- Quick connection for emergency operation with portable hand pump.
- Built-on emergency operation hand pump.
- Submersion cover.
- Epoxy coating.

On request spec. features as:

- Flushing valve built into the connection block making it possible to flush the system without disconnection of pipes.
- Safety equipment as mechanical locking device of actuator in closed position.

Actuator mounted control equipment

See separate data sheet for the whole range of control blocks and other actuator mounted control components.

(Interface for Cetop 3 valves).

Manufacture

The BRC actuators are manufactured in accordance with the guidelines for quality system stated in the ISO standard.

After assembly each actuator is flushed according to ISO 4406 21/19/16 standard and plugged. Flushing according to ISO 4406 18/16/13 standard can be performed on request.

Product Data Sheet

SD 0100-2E03

September 2011

Damcos® BRC Series

Classification

Meets the requirements from the major classification and approval authorities like:

- Det Norske Veritas
- Lloyd's Register of Shipping
- American Bureau of Shipping
- RINA
- Russian Register of Shipping
- Bureau Veritas
- Germanischer Lloyd
- U.S. Coast Guard

Main data

Temperature range:	-20°C to +80°C, seals NBR (other temp. ranges on request)
Housing:	GGG 40
Piston:	GGG 40
Output shaft:	SS 2142
Indicator shaft:	AISI 316
Intermediate flange:	St 52-3/AISI 316/GGG40
Adapter:	SS 2142
Coating:	Primer: Min. 40 micron, type Hempel EE 13140 Top coat: min. 25 micron alkyd, red no. 51320

Operating restrictions

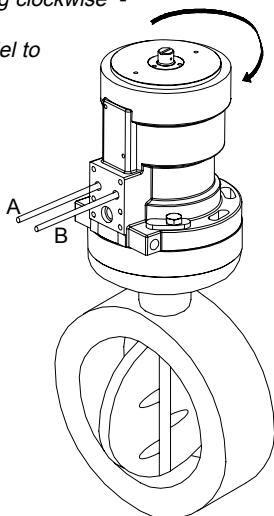
Please observe specific rules and demands from the classification societies and authorities concerning operating pressure and temperature range.

(Example - ABS: Max. operating pressure = 20% of burst pressure).

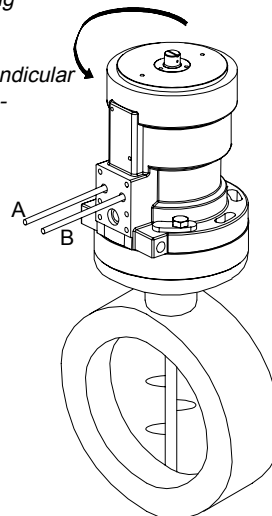
For extreme cycle speeds, loads and lifetime expectations please consult manufacturer.

Turning direction in relation to "A" and "B"

Pressure on "A" -
Indicator slot is moving clockwise -
Valve closed and
indicator slot is parallel to
mounting area.



Pressure on "B" -
Indicator slot is moving
counter clockwise -
Valve open and
indicator slot is perpendicular
to the mounting area -



The Emerson logo is a trademark and service mark of Emerson Electric Co. Damcos and the Damcos logotype are registered trademarks of Damcos A/S. All rights reserved. The contents of this publication are presented for information purposes only, and while effort has been made to ensure their accuracy, they are not to be construed as warranties or guarantees, expressed or implied, regarding the products or services described herein or their use or applicability. All sales are governed by our terms and conditions, which are available upon request. We reserve the right to modify or improve the designs and specifications of our products at any time without notice. Damcos A/S accepts no responsibility for any errors that may appear in this publication.

This product is developed and managed by:

Emerson Process Management

Damcos A/S

Aaderupvej 41

DK-4700 Naestved

T +45 5578 7200

F +45 5578 7272

For global contacts:

www.EmersonProcess.com/mtm