

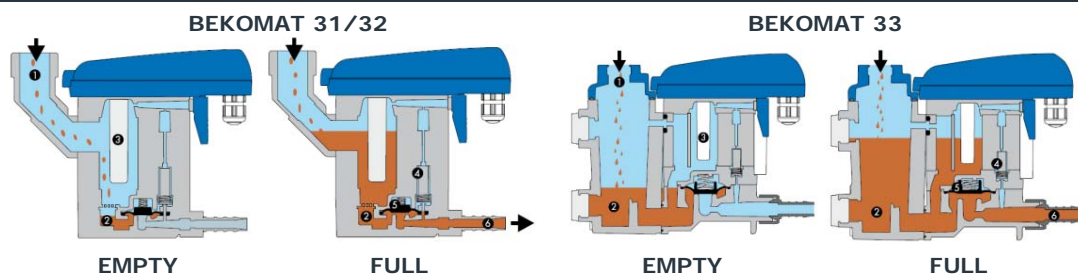
Stenhøj BEKOMAT

Stenhøj BEKOMAT

-Condensate drain

STENHØJ BEKOMAT is characterized by reliability, fast and smooth installation, and maintenance with minimum time requirements. This is achieved through an innovative construction which consists of only 2 or 3 units with quick release connectors. This means STENHØJ BEKOMAT can be serviced fast without decoupling from the electrical outlet.

STENHØJ BEKOMAT saves energy as it discharges according to demand. The housing is made of aluminium for high durability and the unit is sensor-controlled.



When the BEKOMAT is empty:

Via the inlet line (1) the condensate flows into the BEKOMAT and accumulates in the housing (2). A capacitive sensor (3) continuously registers the filling level and relays a signal to the electronic control as soon as the container is filled.

When the BEKOMAT is full:

The pilot valve (4) is activated and the membrane (5) opens the outlet line (6) to discharge the condensate. When the BEKOMAT is empty, the outlet line is re-closed tightly in time before unnecessary compressed-air losses occur.



STENHØJ
lifting the level

Service and maintenance is made easier with the STENHØJ BEKOMAT:

- No installation of seals or single components.
- Only one replacement part.




The BEKOMAT is pressure- and function-tested by the manufacturer.

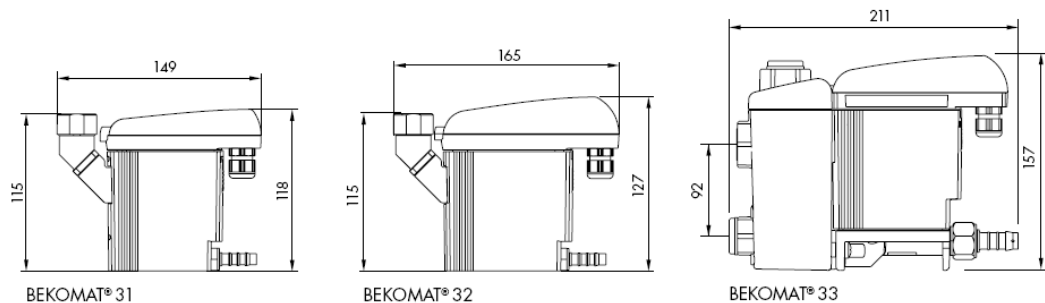
Type BEKOMAT	Operating pressure (bar)		Connections			Max. compressor performance m3/min. (m3/h)		
	Min.	Max.	Inlet	Outlet				
				Hose connection	Hose diameter			
31	0,8	16	1 x 1/2	1 x 1/4	8-10 mm	3 (180)	2,5 (150)	1,5 (90)
32	0,8	16	1 x 1/2	1 x 1/4	8-10 mm	6 (360)	5 (300)	3,5 (210)
33	0,8	16	3 x 1/2	1 x 1/2	13 mm	12 (720)	10 (600)	7 (420)

Type BEKOMAT	Max. dryer performance (m3/min.)			Max. filter performance (m3/min.)		
31	6	5	3	30	25	15
32	12	10	7	60	50	35
33	24	20	14	120	100	70

Temperature: +1 to +60 degrees C.

For region-specific design of the BEKOMAT condensate drains please refer to the three climate zones below.

-  Northern Europe, Canada, Northern USA, Central Asia
-  Central and Southern Europe, Central America
-  South-East Asian costal regions, Oceania, Amazon, Congo region



STENHØJ
lifting the level

Stenhøj A/S
Denmark

Tel: +45 76 82 13 30
Fax: +45 76 82 13 31
Mail: info@stenhoj.dk
Web: www.stenhoj.dk

No liability accepted for specifications which are subject to alteration