

Foride/Front Page



STENHØJ KOMPRESSOR A/S

Y/D-Starter SCREWCOMPRESSOR

30-45KW - 230/400V

T53065

Client : Stenhøj Kompressor A/S - Barrit Langgade 188 - 7150 Barrit - DK - Tel: +45 76821260 - Fax: +45 76821226 - Web: www.stenhoj.dk - Mailto: kompessor@stenhoj.dk



STENHØJ
Kompressor A/S

Project Name : Y/D-Starter for Screwcompressor - 30-45KW - 230/400V - T53065

Revision No : C

Constructor : KBJ

Uni EL Drawing No : 3-108-12>14+ 20>22+ 70>72+ 95+ 96 Construction Date : 04-09-03

Revision Date : 08-12-03

Page 1 of 21



Indholdsfortegnelse/ Table Of Contents

Supply, Max Fuse & Composition Of Units	4
Hovedstrøm - Y/D enhed/Electric Diagram - Y/D unit	5
Hovedstrøm - Trafo Enhed/Electric Diagram - Transformer Unit	6
Styring - Y/D Enhed/Electric Diagram - Y/D unit	7
Styring - Print Enhed/Electric Diagram - Print unit	8
Styring - Print Enhed/Electric Diagram - Print unit	9
Styring - Print Enhed/Electric Diagram - Print unit	10
Styring - Print Enhed/Electric Diagram - Print unit	11
Styring - Print Enhed/ Electric Diagram - Print unit	12
Styring - Print Enhed/Electric Diagram - Print unit	13
Styring - Blandet/Electric Diagram - Mixed	14



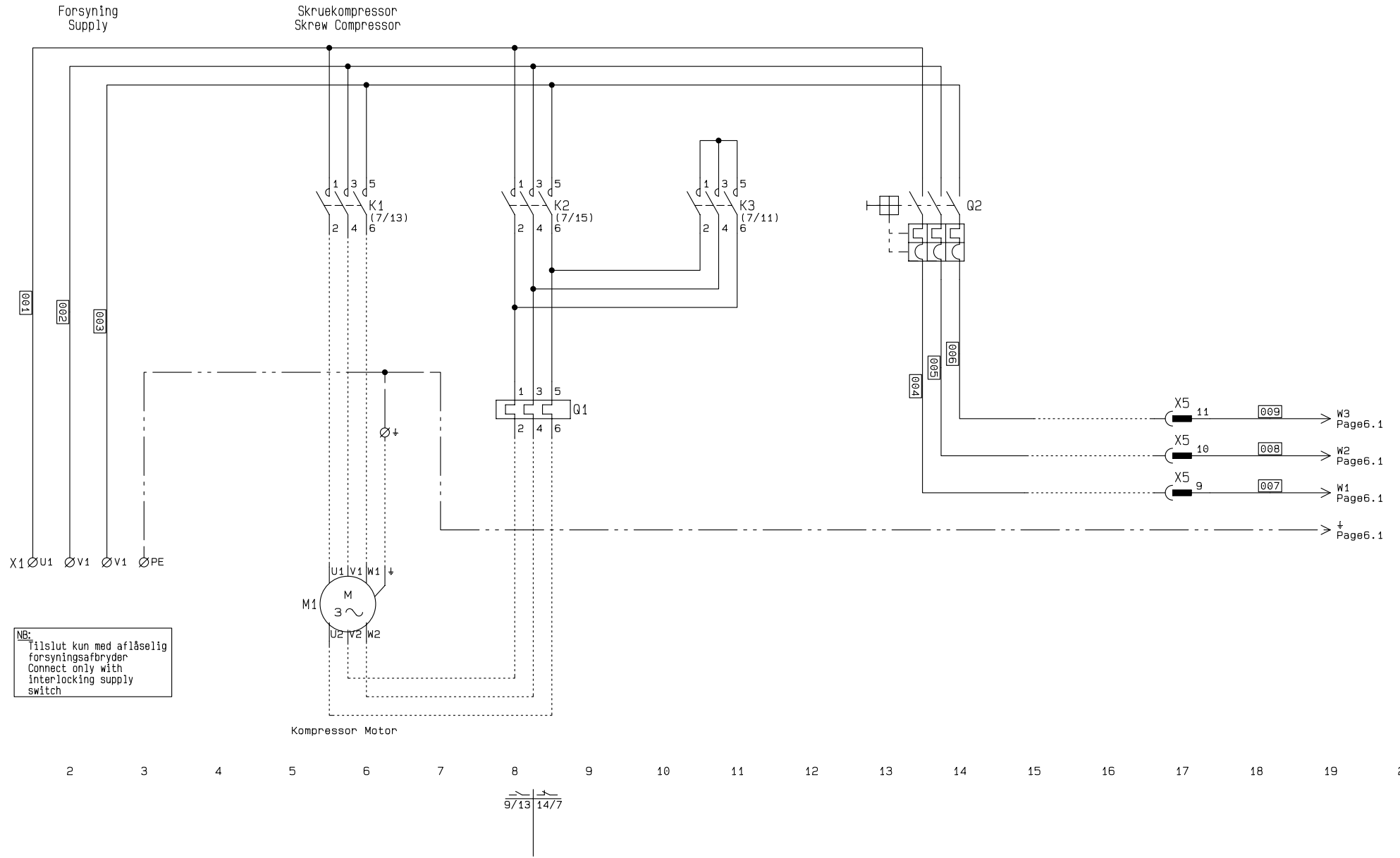
Indholdsfortegnelse/ Table of Contents

Klemrække Oversigt/ Clamp Rows	15
Klemrække Oversigt/ Clamp Rows	16
Klemrække Oversigt/ Clamp Rows	17
Stykliste/ Item List	18
Component List	20
Component List	21

Supply, Max Fuse & Composition Of Units

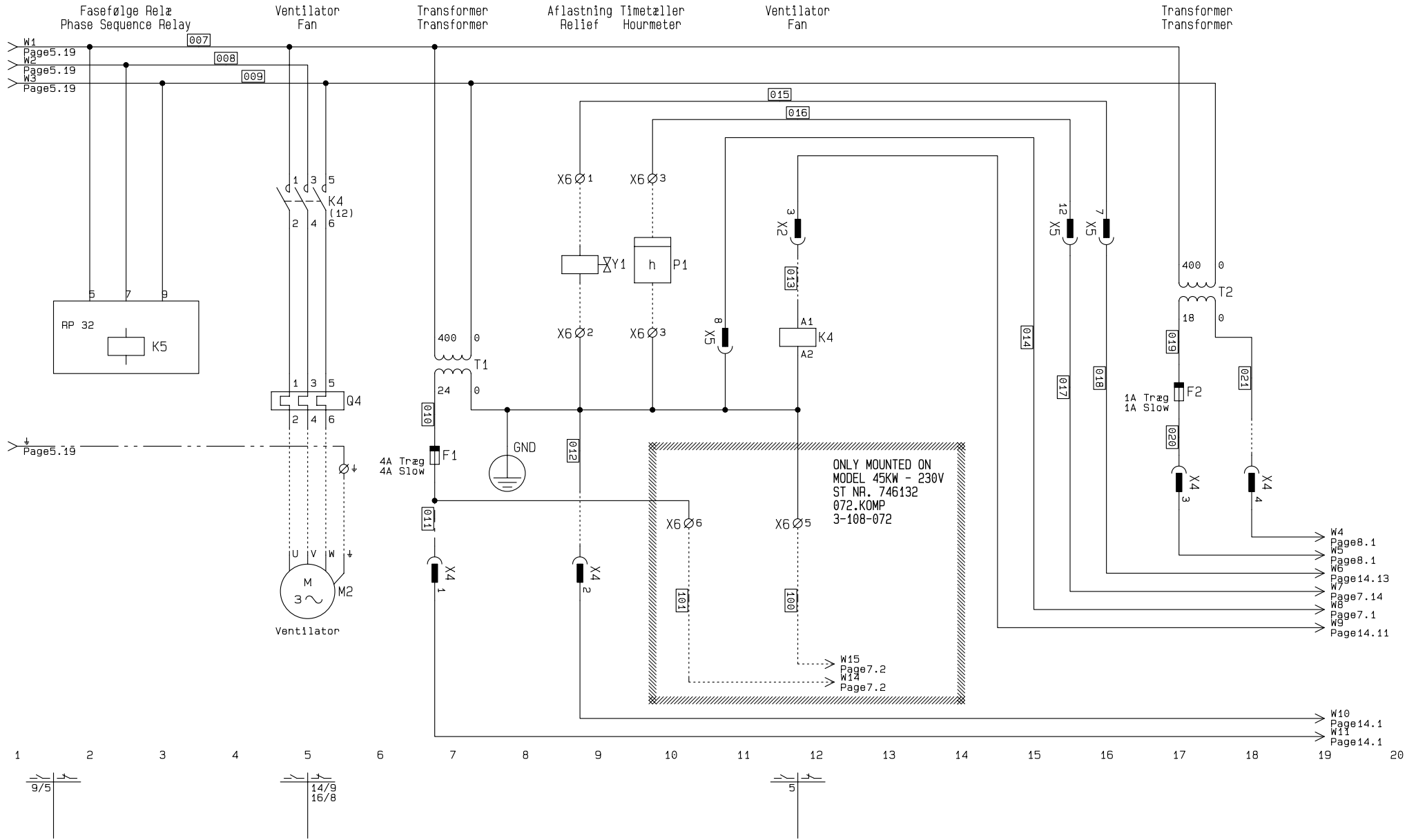
TYPE	SUPPLY	MAX FUSE	TRANSFORMER UNIT	OPERATOR PANEL	
				NO OPTIONS	WITH OPTIONS
012.KOMP 3-108-012 ST 746030	3*400VAC-50Hz+PE	100A D03 100A gG	020.KOMP 3-108-020 ST 746605	095.KOMP 3-108-095 ST 746604	096.KOMP 3-108-096 ST 746606
013.KOMP 3-108-013 ST 746031	3*400VAC-50Hz+PE	100A D03 100A gG	020.KOMP 3-108-020 ST 746605	095.KOMP 3-108-095 ST 746604	096.KOMP 3-108-096 ST 746606
014.KOMP 3-108-014 ST 746032	3*400VAC-50Hz+PE	100A D03 100A gG	020.KOMP 3-108-020 ST 746605	095.KOMP 3-108-095 ST 746604	096.KOMP 3-108-096 ST 746606
070.KOMP 3-108-070 ST 746130	3*230VAC-50Hz+PE	125A gG	021.KOMP 3-108-021 ST 746607	095.KOMP 3-108-095 ST 746604	096.KOMP 3-108-096 ST 746606
071.KOMP 3-108-071 ST 746131	3*230VAC-50Hz+PE	125A gG	022.KOMP 3-108-022 ST 746608	095.KOMP 3-108-095 ST 746604	096.KOMP 3-108-096 ST 746606
072.KOMP 3-108-072 ST 746132	3*230VAC-50Hz+PE	200A gG	022.KOMP 3-108-022 ST 746608	095.KOMP 3-108-095 ST 746604	096.KOMP 3-108-096 ST 746606

Hovedstrøm - Y/D enhed/Electric Diagram - Y/D unit



NB:
Tilslut kun med aflåselig
forsyningsafbryder
Connect only with
interlocking supply
switch

Hovedstrøm - Trafo Enhed/Electric Diagram - Transformer Unit



- W4 Page8.1
- W5 Page8.1
- W6 Page14.13
- W7 Page7.14
- W8 Page7.1
- W9 Page14.11
- W10 Page14.1
- W11 Page14.1



Project Name : Y/D-Starter for Screwcompressor - 30-45KW - 230/400V - T53065
 Uni EL Drawing No : 3-108-12>14+ 20>22+ 70>72+ 95+ 96 Construction Date : 04-09-03

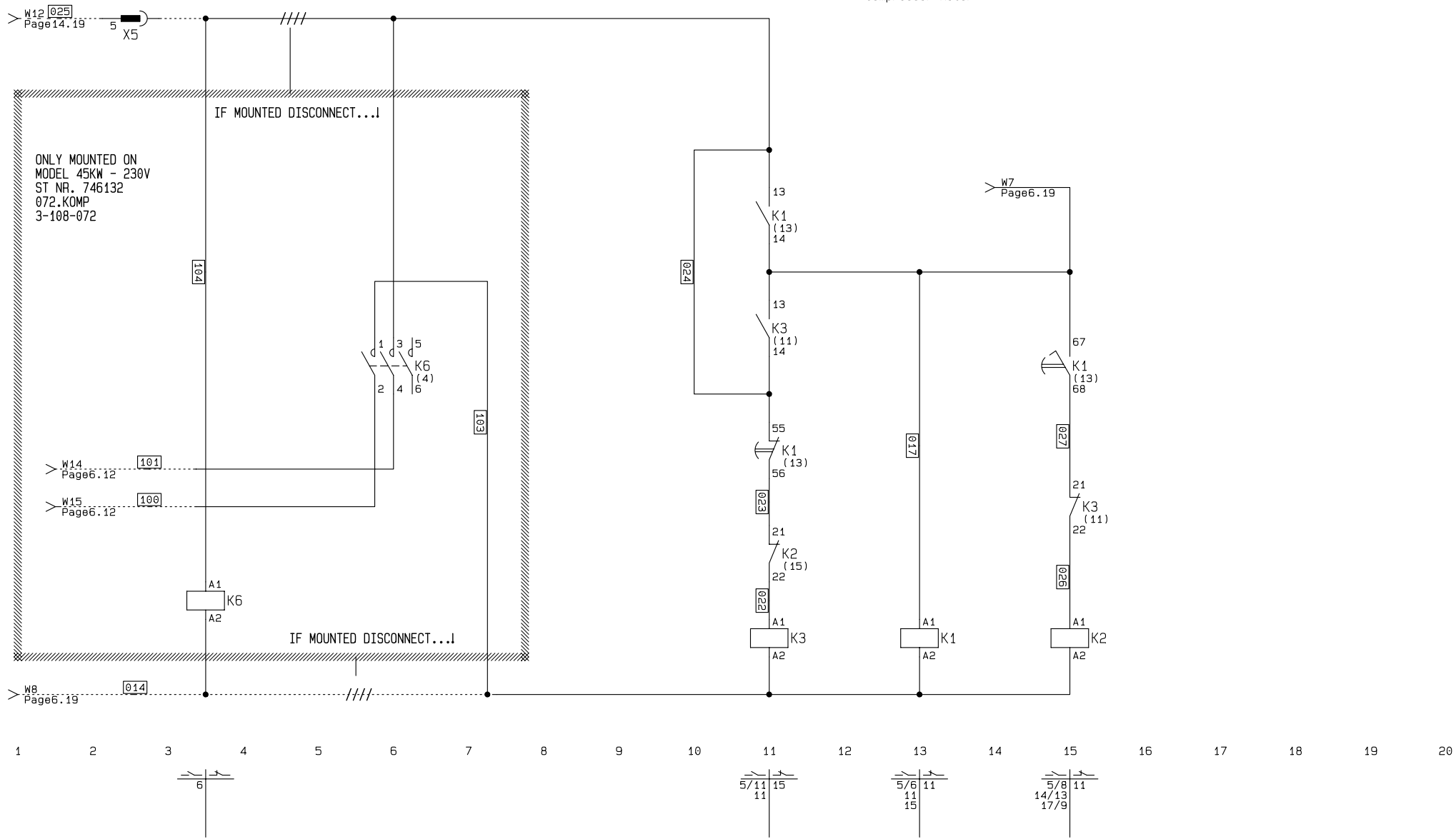
Revision No : C
 Revision Date : 08-12-03

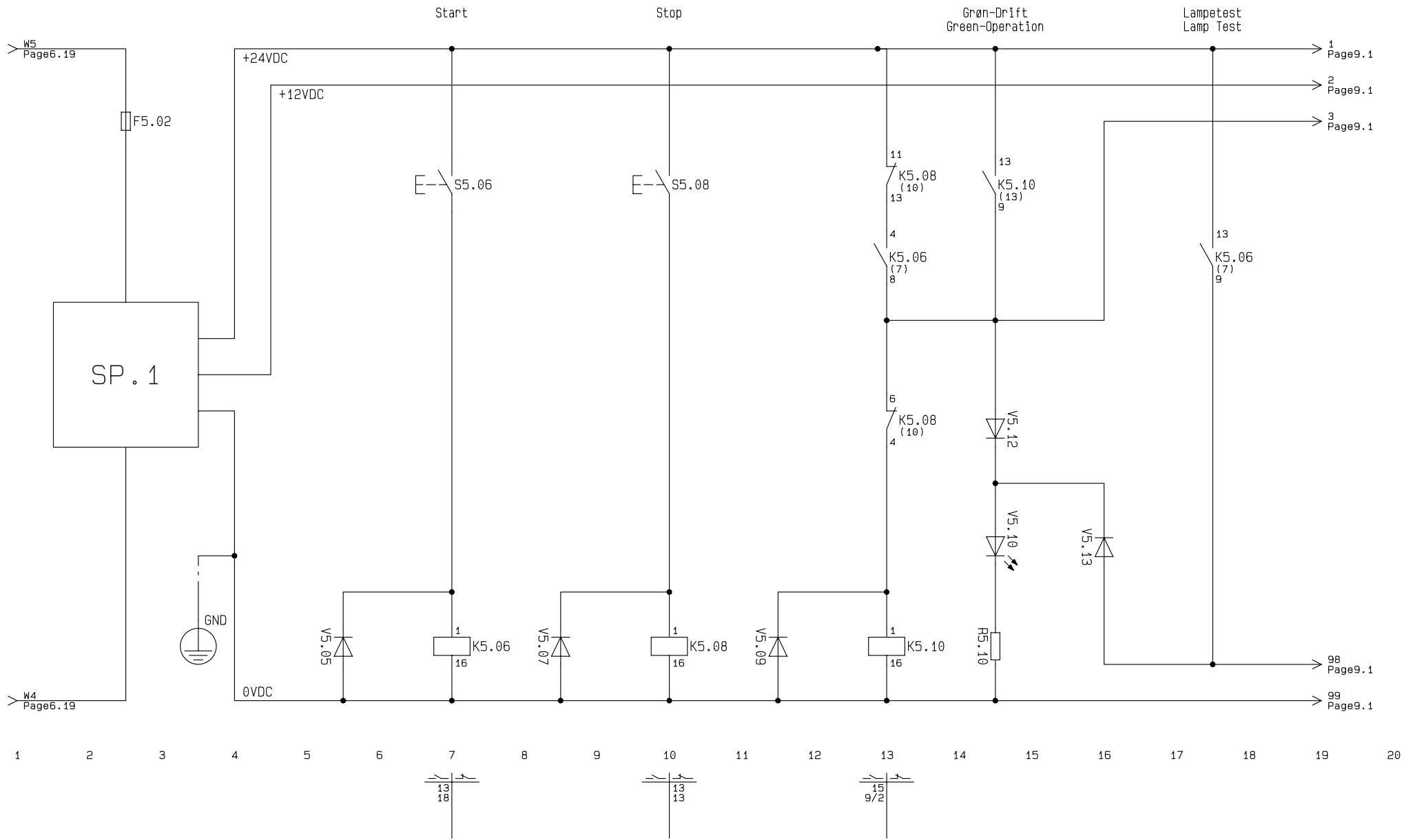
Constructor : KBJ
 Page 6 of 21

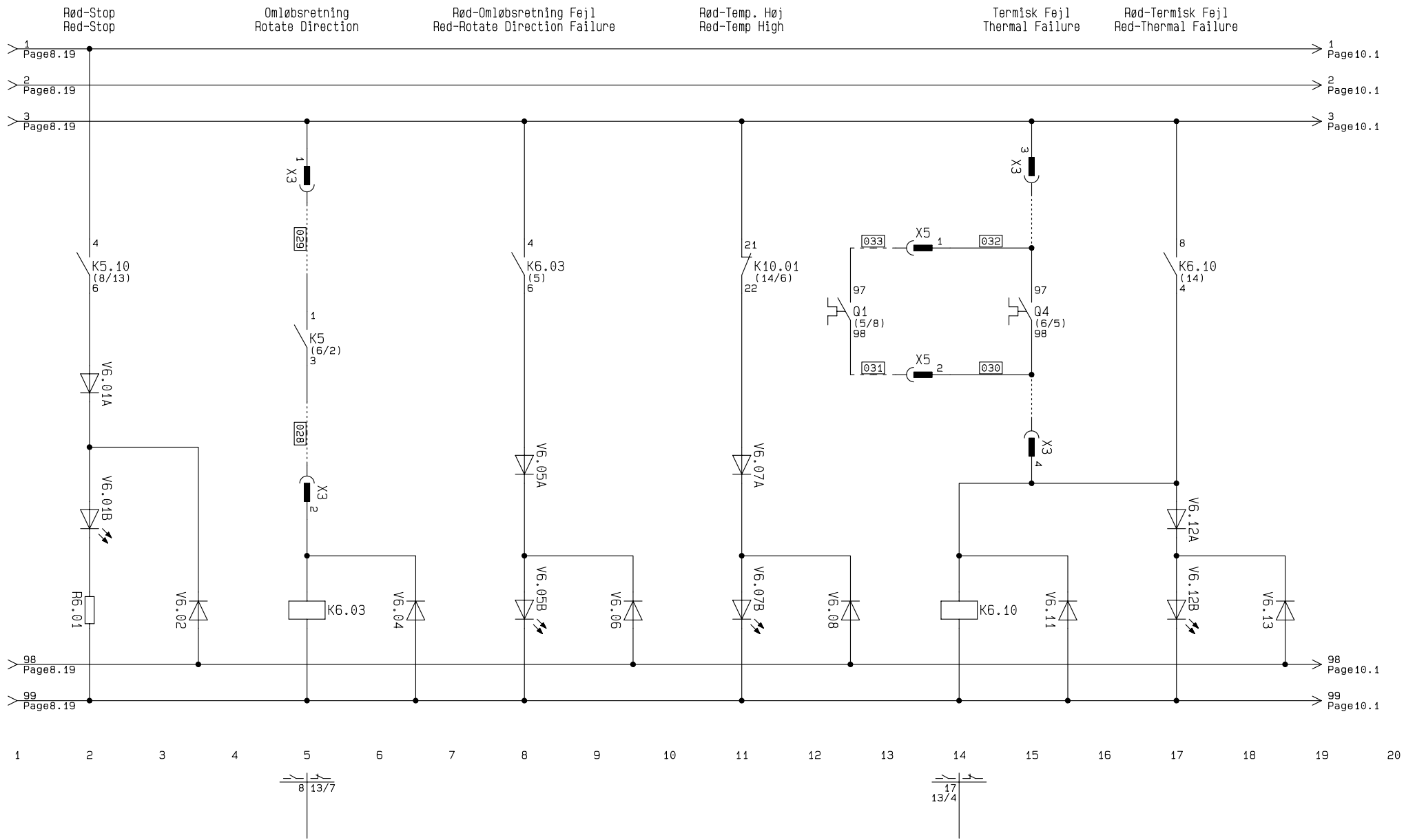


Styring - Y/D Enhed/Electric Diagram - Y/D unit

Kompressor Motor
Compressor Motor





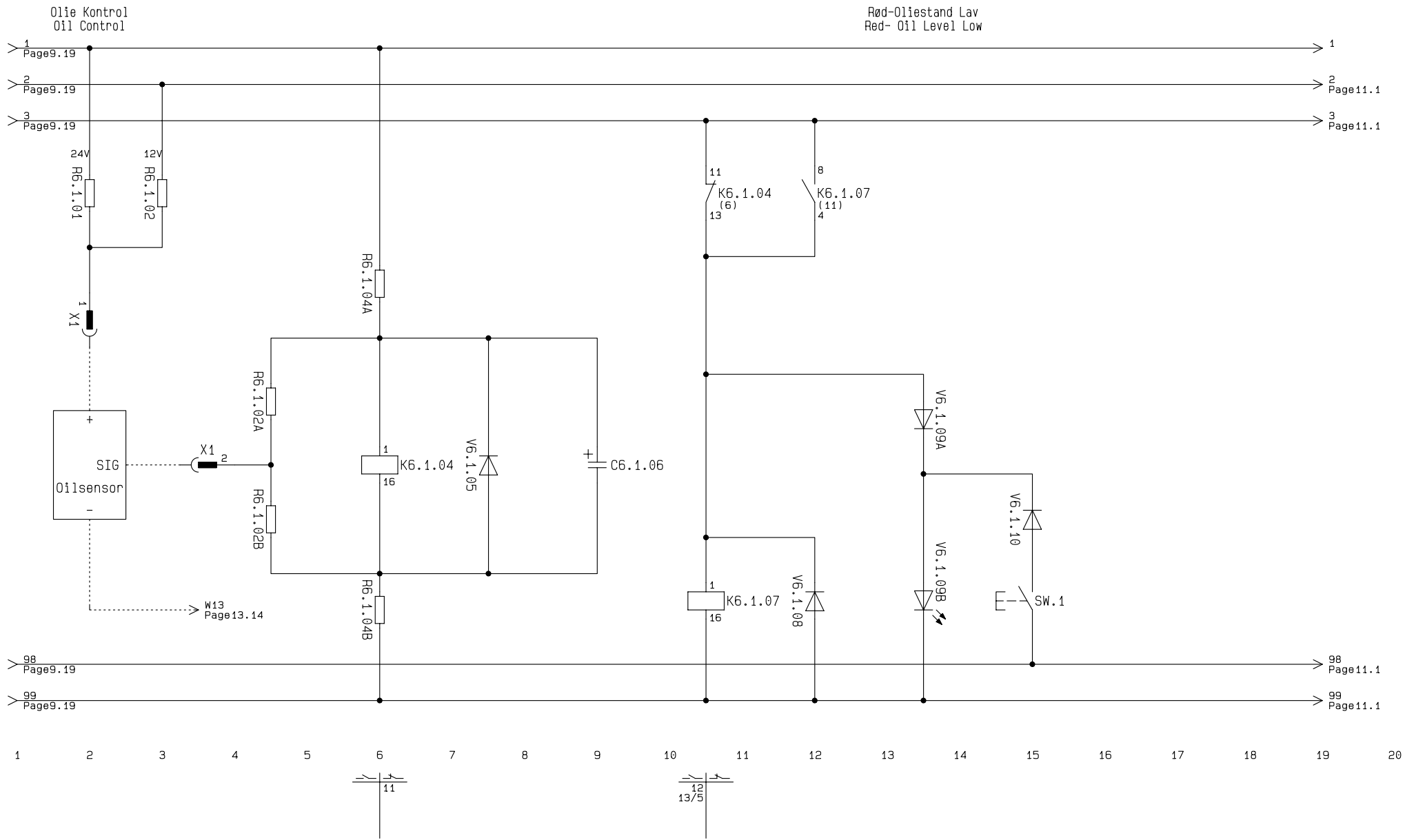


Project Name : Y/D-Starter for Screwcompressor - 30-45KW - 230/400V - T53065
 Uni EL Drawing No : 3-108-12>14+ 20>22+ 70>72+ 95+ 96 Construction Date : 04-09-03

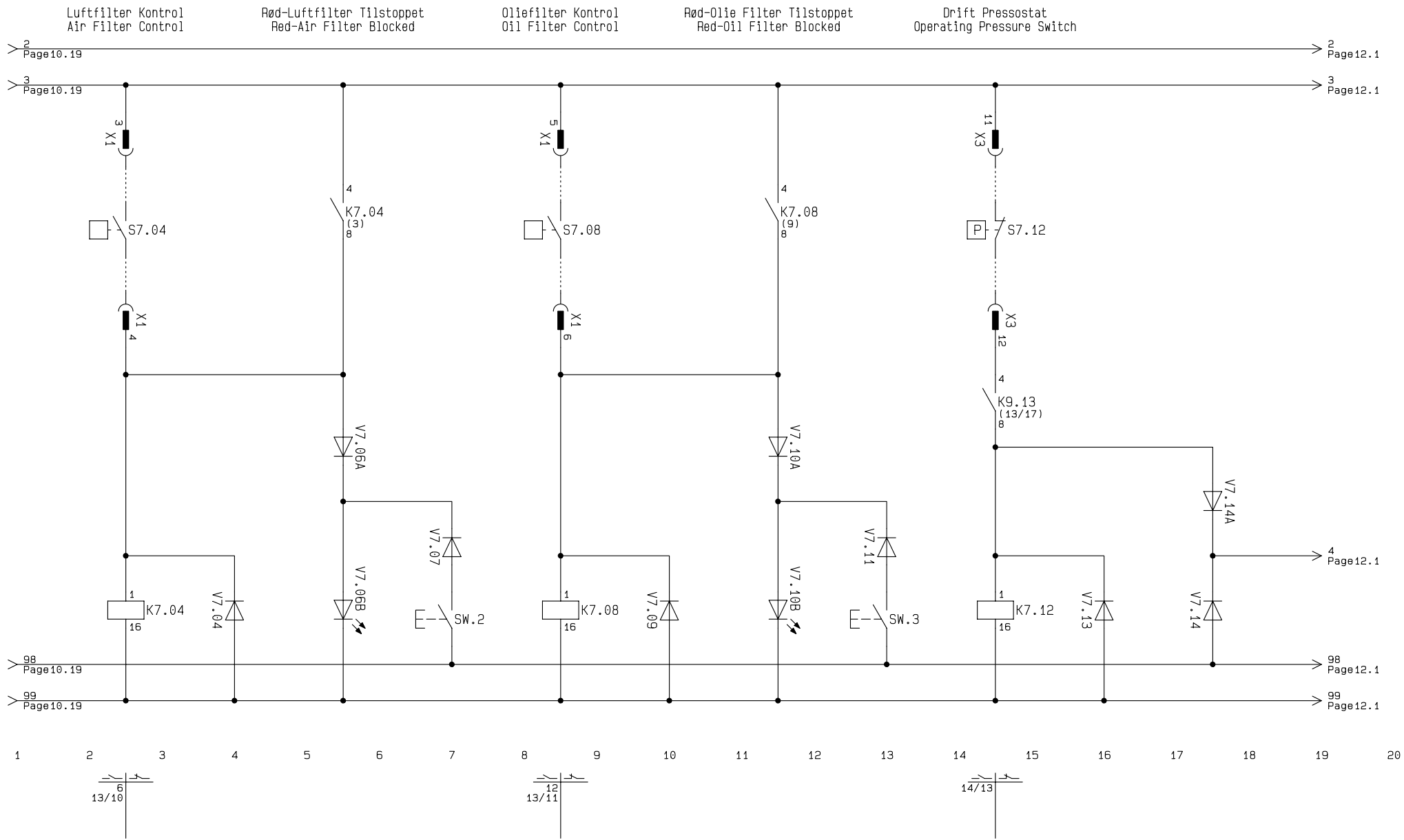
Revision No : C
 Revision Date : 08-12-03

Constructor : KBJ
 Page 9 of 21





Styring - Print Enhed/Electric Diagram - Print unit

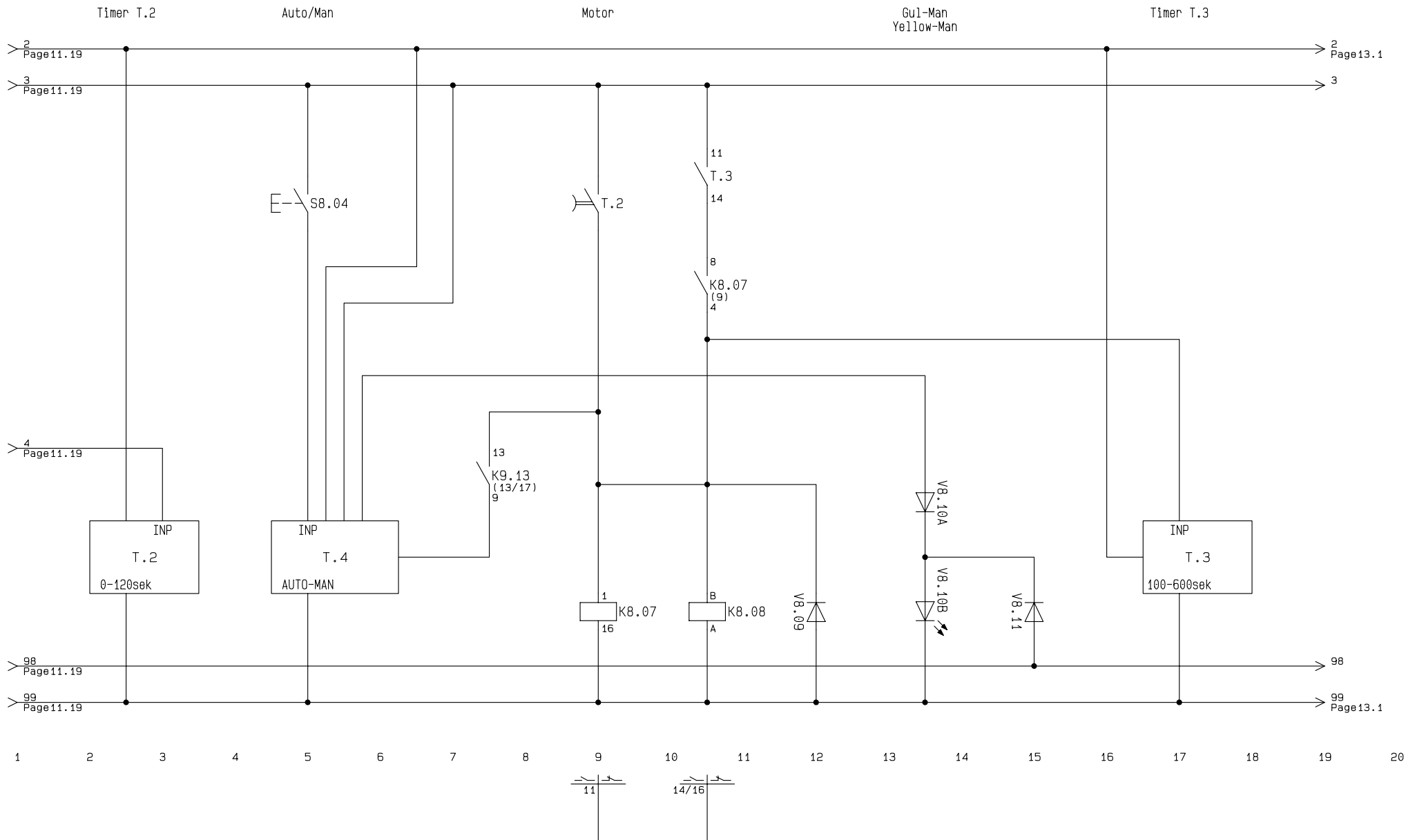


Project Name : Y/D-Starter for Screwcompressor - 30-45KW - 230/400V - T53065
 Uni EL Drawing No : 3-108-12>14+ 20>22+ 70>72+ 95+ 96 Construction Date : 04-09-03

Revision No : C
 Revision Date : 08-12-03

Constructor : KBJ
 Page 11 of 21





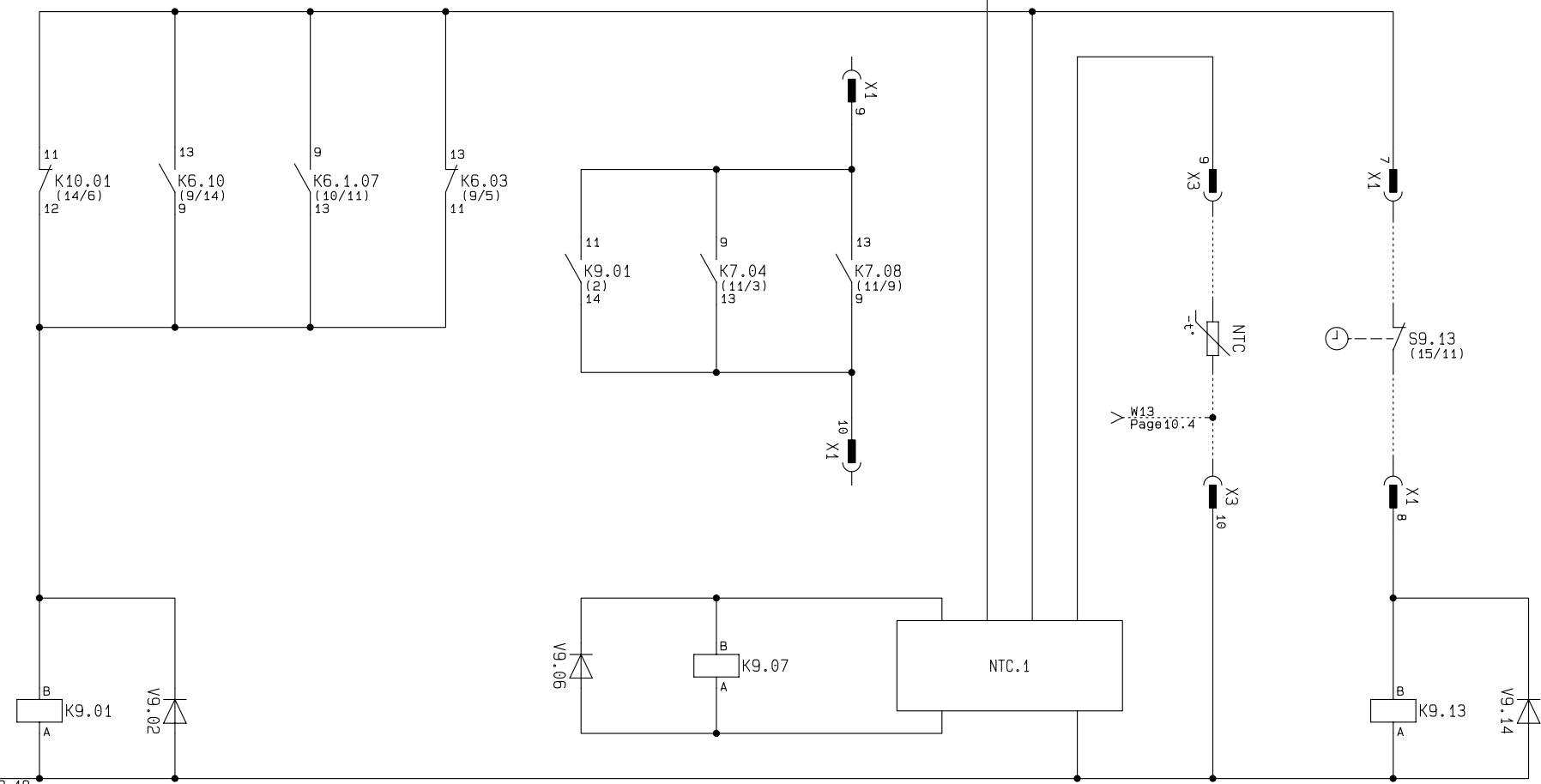
Fjernalarm
Distance Alarm

Temperatur Kontrol
Temperature Control

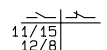
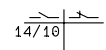
Ur-Styring
Clock-Operation

> 2
Page12.19

> 99
Page12.19



1 2 3 4 5 6 7 8 9 10 11 12 13 14 15 16 17 18 19 20



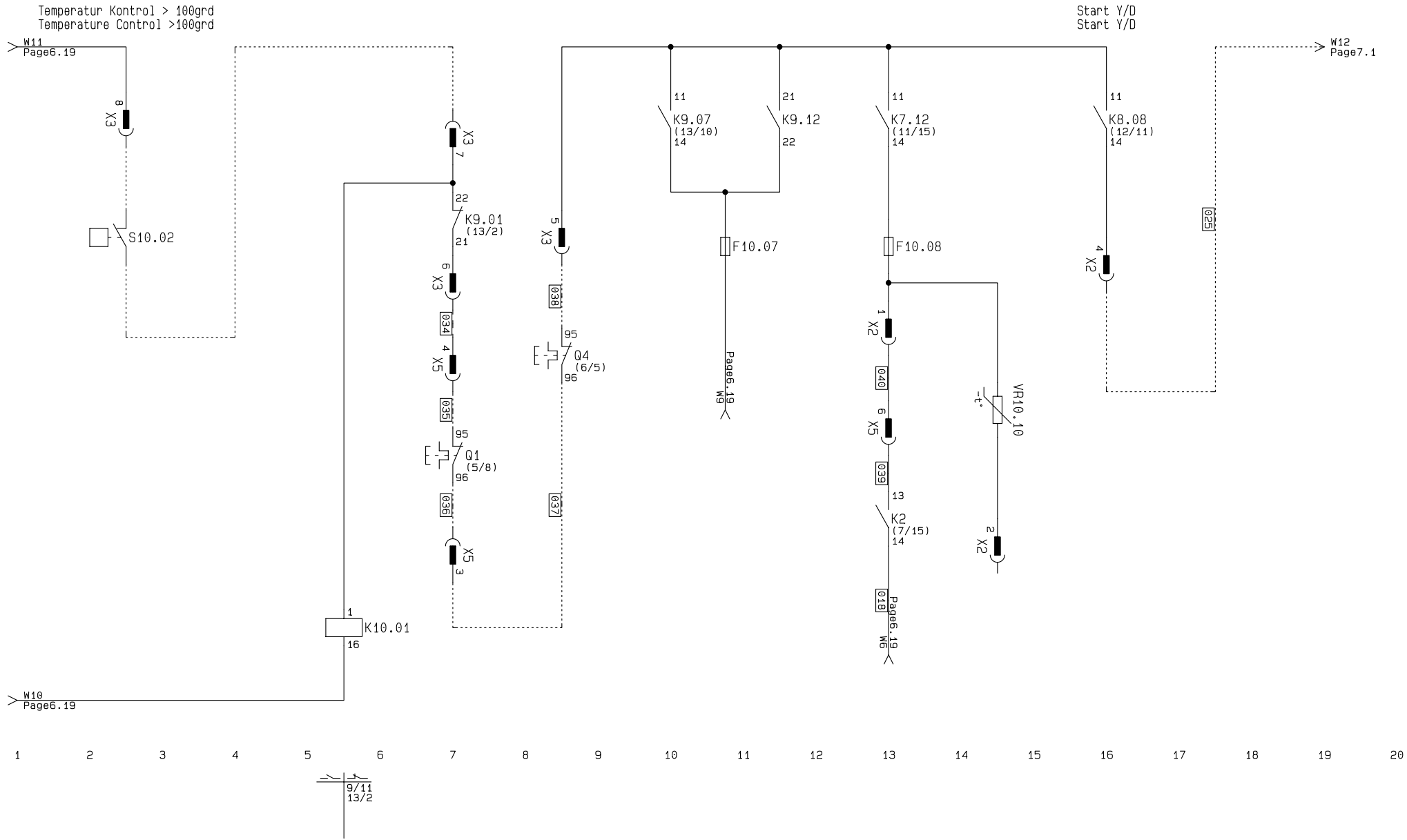
Project Name : Y/D-Starter for Screwcompressor - 30-45KW - 230/400V - T53065
 Uni EL Drawing No : 3-108-12>14+ 20>22+ 70>72+ 95+ 96 Construction Date : 04-09-03

Revision No : C
 Revision Date : 08-12-03

Constructor : KBJ
 Page 13 of 21



Styring - Blandet/Electric Diagram - Mixed



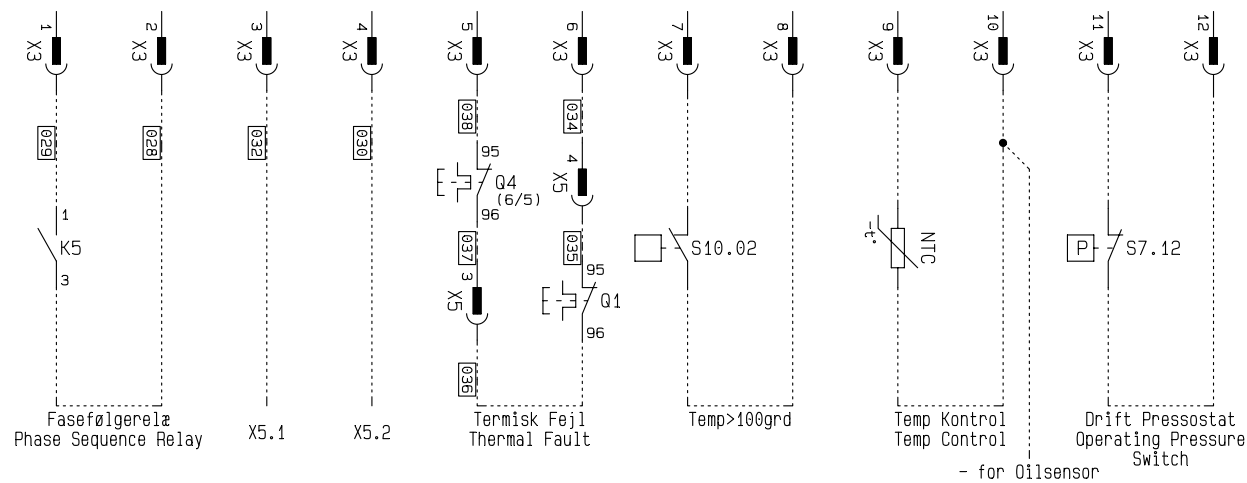
Project Name : Y/D-Starter for Screwcompressor - 30-45KW - 230/400V - T53065
 Uni EL Drawing No : 3-108-12>14+ 20>22+ 70>72+ 95+ 96 Construction Date : 04-09-03

Revision No : C
 Revision Date : 08-12-03

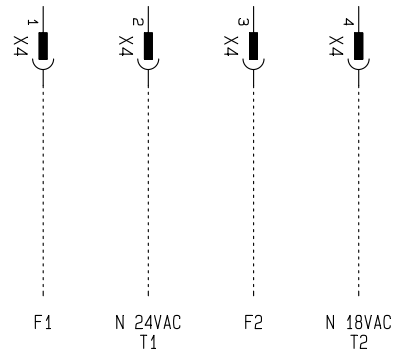
Constructor : KBJ
 Page 14 of 21



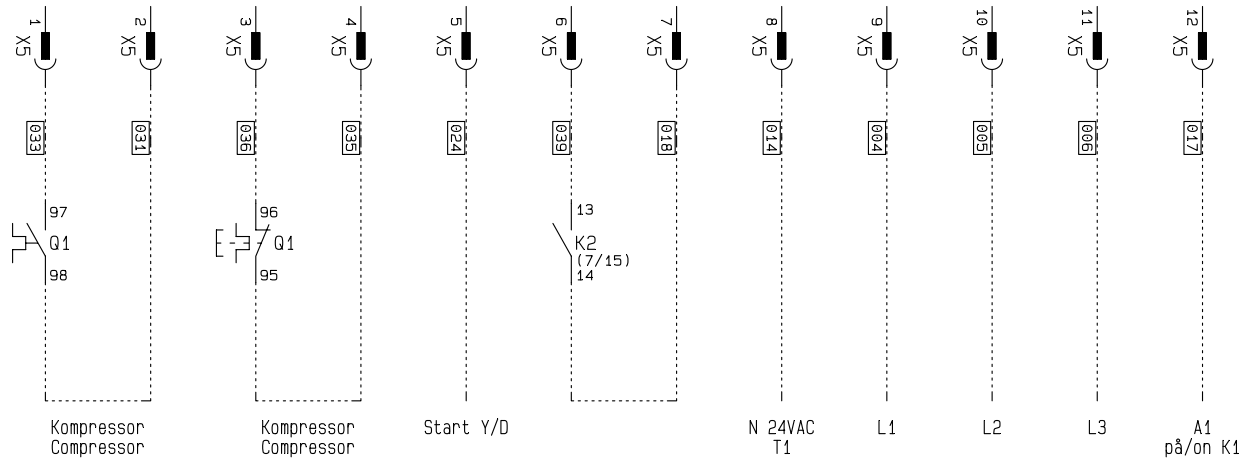
Periferi Udstyr - Periphery Equipment
 Klemrække - Clamp Row
 X3



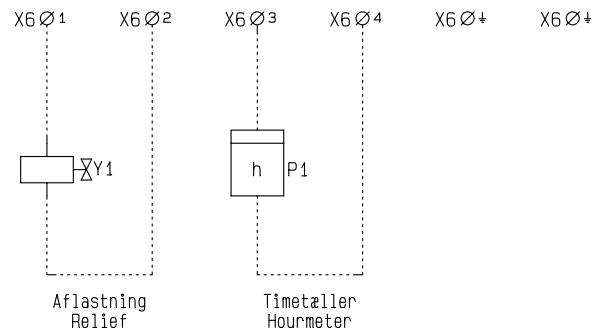
Strømforsyning Print - Power Supply Print
 Klemrække - Clamp Row
 X4



Forbindelse til Y/D-plade - Connection to Y/D-unit
 Klemrække - Clamp Row
 X5



Aflastning og Timetæller - Relief and Hourmeter
 Klemrække - Clamp Row
 X6



Stykliste/Item List

Type	Description (DK)	Description (UK)	Stenhøj	EAN Number	Article No	Product
2131012530	Kronemuffe 2,5mm ² 12P, klømliste hun	Straight-Through Joint 2,5mm ² 12		4015573164284	2131012530	Wieland
24348	C60N 3P 6A C-kurve, aut.sikr. 10kA/415V	Auto. Fuse C60N 3P 6A C-Curve, 1		3303430243489	3322243487	Merlin Gerin
5*20mm Sikring	Finsikring-træg, 5*20mm, 1,00A, 250V	Fuse, Slow, 5*20mm, 1,00A, 250V	264572	5701765320130	4792320133	ESKA
5*20mm Sikring	Finsikring-træg, 5*20mm, 4,00A, 250V	Fuse, Slow, 5*20mm, 4,00A, 250V		5701765320208	4792320201	ESKA
BW 40.18	Paladin timetæller 24V 50HZ f. tavlemontage	Paladin Hourmeter 24V 50Hz for F		4022709000750	5423501026	PALADIN
WK 4/U	Rækkelemme 4mm ²	Clamp 4mm ²	264567	4015573392687	5750400530	Wieland
WK 4 SL/U	Rækkelemme 4mm ² Jordklemme	Earth Clamp 4mm ²	264569	4015573213012	5750490530	Wieland
WKN 35/U	Rækkelemme 35mm ²	Clamp 35mm ²	264566	4015573213678	5753501530	Wieland
WK 35 SL/U	Rækkelemme 35mm ² Jordklemme	Earth Clamp 35mm ²	264577	4015573213739	5753590530	Wieland
WKN 70/U	Rækkelemme 70mm ²	Clamp 70mm ²	264553	4015573506855	5757001530	Wieland
WK 4/THSI 5U	Klemme sikringsholder for 5x20mm sikring	Clamp Fuseholder for 5x20mm fuse	264536	4015573392670	5790453530	Wieland
LC1F115	Kontaktor 115A 3P.u/spole FF	Contactor 115A 3poles - without		3389110122213	7522056001	Telemecanique
LR9F5367	Elektronisk termorelæ 60-100A			3389110565997	7522057291	Telemecanique
LADS2	Tidsblok 1NO+1NC fors.indk. 1...30s	Timer block 1NO+1NC on delay 1..	264520	3389110386103	7522404226	Telemecanique
LC1D09B7	Kontaktor 9A 3P+1NO+1NC, Uc 24V AC	Contactor 9A 3poles+1NO+1NC, Uc	264375	3389110348675	7522405924	Telemecanique
LC1D18B7	Kontaktor 18A 3P+1NO+1NC, Uc 24V AC	Contactor 18A 3poles+1NO+1NC, Uc	264377	3389110349399	7522408235	Telemecanique
LC1D25B7	Kontaktor 25A 3P+1NO+1NC, Uc 24V AC	Contactor 25A 3poles+1NO+1NC, Uc		3389110349658	7522408934	Telemecanique
LC1D40B7	Kontaktor 40A 3P+1NO+1NC, Uc 24V AC	Contactor 40A 3poles+1NO+1NC, Uc		3389110416503	7522411031	Telemecanique
LC1D50B7	Kontaktor 50A 3P+1NO+1NC, Uc 24V AC	Contactor 50A 3poles+1NO+1NC, Uc		3389110420913	7522411374	Telemecanique
LC1D80B7	Kontaktor 80A 3P+1NO+1NC, Uc 24V AC	Contactor 80A 3poles+1NO+1NC, Uc		3389110440034	7522412072	Telemecanique
LRD07	Termorelæ 1,6-2,5A klasse 10 A	Thermo Relay 1,6-2,5A - Class 10		3389110346770	7522421678	Telemecanique

Stykliste/Item List

Type	Description (DK)	Description (UK)	Stenhøj	EAN Number	Article No	Product
LRD08	Termorelæ 2,5-4A klasse 10 A	Thermo Relay 2,5-4A - Class 10A		3389110346787	7522421717	Telemecanique
LRD-3355	Termorelæ 30-40A klasse 10 A	Thermo Relay 30-40A - Class 10A	264515	3389110519938	7522422936	Telemecanique
LRD-3357	Termorelæ 37-50A klasse 10 A	Thermo Relay 37-50A - Class 10A	264517	3389110519952	7522422949	Telemecanique
LRD-3361	Termorelæ 55-70A klasse 10 A	Thermo Relay 55-70A - Class 10A	264530	3389110519983	7522422965	Telemecanique
MM-43	Monteringsplade f. CRN-43	Mounting Plate for CRN-43		8411314004035	7614008145	Himmel
MM-44	Monteringsplade f. CRN-44	Mounting PLate for CRN-44		8411314004042	7614008158	Himmel
MM-64	Monteringsplade f. CRN-64	Mounting Plate for CRN-64		8411314004073	7614008187	Himmel
Ikke lev. af UNI-EL	Ikke lev. af UNI-EL A/S	Not Delivered by Uni-El A/S		-	-	
DT6826-1	Transformer 400/230V-->18/24V - 25VA	Transformer 400/230V-->18/24V -	264568	-	DT6826-1	Dantrafo
DT 10852-1	Transformer 230/18V - 190VA	Transformer 230/18V - 190VA		-	DT 10852-1	DANTRAF0
NT 24051	Transformer 230V-24V - 120VA	Transformer 230V-24V - 120VA	264513	NT 24051	NT 24051	DANTRAF0
NT25051	Transformer 400/24V - 120VA	Transformer 400/24V - 120VA		-	NT 25051	DANTRAF0
RP32-1-3-230	Fasefølgerelæ m skiftekontakt 230V	Fase Sequence Relay w/ change-ov		RP32-1-3-230	RP32-1-3-230	C-mac
RP32-1-3-400	Fasefølgerelæ m skiftekontakt 400V	Fase Sequence Relay w/ change-ov		RP32-1-3-400	RP32-1-3-400	C-mac



Component List

Component List

Component	Type	37kW - 400V	45kW - 400V	30kW - 230V	37kW - 230V	45kW - 230V
	30kW - 400V ST40 - 400	ST50 - 400	ST60 - 400	ST40 - 230	ST50 - 230	ST60 - 230
A1	MM-44	MM-44	MM-44	MM-44	MM-44	MM-64
A2	MM-43	MM-43	MM-43	MM-43	MM-43	MM-43
F1	WK 4/THSI 5U	WK 4/THSI 5U	WK 4/THSI 5U	WK 4/THSI 5U	WK 4/THSI 5U	WK 4/THSI 5U
F1	4, 0A Slow 5*20mm	4, 0A Slow 5*20mm	4, 0A Slow 5*20mm	4, 0A Slow 5*20mm	4, 0A Slow 5*20mm	4, 0A Slow 5*20mm
F2	WK 4/THSI 5U	WK 4/THSI 5U	WK 4/THSI 5U	WK 4/THSI 5U	WK 4/THSI 5U	WK 4/THSI 5U
F2	1, 0A Slow 5*20mm	1, 0A Slow 5*20mm	1, 0A Slow 5*20mm	1, 0A Slow 5*20mm	1, 0A Slow 5*20mm	1, 0A Slow 5*20mm
K1	LC1D40B7	LC1D40B7	LC1D50B7	LC1D50B7	LC1D80B7	LC1F115
K1	LADS2	LADS2	LADS2	LADS2	LADS2	LADS2
K2	LC1D40B7	LC1D40B7	LC1D50B7	LC1D50B7	LC1D80B7	LC1F115
K3	LC1D25B7	LC1D25B7	LC1D40B7	LC1D40B7	LC1D50B7	LC1D80B7
K4	LC1D09B7	LC1D09B7	LC1D09B7	LC1D09B7	LC1D09B7	LC1D09B7
K5	RP32-1-3-400	RP32-1-3-400	RP32-1-3-400	RP32-1-3-230	RP32-1-3-230	RP32-1-3-230
K5	S411	S411	S411	S411	S411	S411
K6	---	---	---	---	---	LC1D18B7
M1	Not Delivered by Uni-E1	Not Delivered by Uni-E1	Not Delivered by Uni-E1	Not Delivered by Uni-E1	Not Delivered by Uni-E1	Not Delivered by Uni-E1
M2	Not Delivered by Uni-E1	Not Delivered by Uni-E1	Not Delivered by Uni-E1	Not Delivered by Uni-E1	Not Delivered by Uni-E1	Not Delivered by Uni-E1
P1	5423501026	5423501026	5423501026	5423501026	5423501026	5423501026
Q1	LRD-3355	LRD-3357	LRD-3357	LRD-3361	LRD-3363	LR9F5376
Q2	24348	24348	24348	24348	24348	24348
Q4	LRD07	LRD07	LRD07	LRD07	LRD08	LRD08
T1	NT 25051	NT 25051	NT 25051	NT 24051	NT 24051	NT 24051



Project Name : Y/D-Starter for Screwcompressor - 30-45KW - 230/400V - T53065

Revision No : C

Constructor : KBJ

Uni EL Drawing No : 3-108-12>14+ 20>22+ 70>72+ 95+ 96 Construction Date : 04-09-03

Revision Date : 08-12-03

Page 20 of 21



Component List

Component List

Component	Type 30kW - 400V ST40 - 400	37kW - 400V ST50 - 400	45kW - 400V ST60 - 400	30kW - 230V ST40 - 230	37kW - 230V ST50 - 230	45kW - 230V ST60 - 230
T2	DT6826-1	DT6826-1	DT6826-1	DT6826-1	DT6826-1	DT 10852-1
X1	WKN 35SL/U	WKN 35SL/U	WKN 35SL/U	WKN 70SL/U	WKN 70SL/U	WKN 70SL/U
X1	WKN 35/U	WKN 35/U	WKN 35/U	WKN 70/U	WKN 70/U	WKN 70/U
X5	2131012530	2131012530	2131012530	2131012530	2131012530	2131012530
X6	WK 4/U	WK 4/U	WK 4/U	WK 4/U	WK 4/U	WK 4/U
X6	WK 4SL/U	WK 4SL/U	WK 4SL/U	WK 4SL/U	WK 4SL/U	WK 4SL/U
Y1	Not Delivered by Uni-E1	Not Delivered by Uni-E1	Not Delivered by Uni-E1	Not Delivered by Uni-E1	Not Delivered by Uni-E1	Not Delivered by Uni-E1



Project Name : Y/D-Starter for Screwcompressor - 30-45KW - 230/400V - T53065

Revision No : C

Constructor : KBJ

Uni EL Drawing No : 3-108-12>14+ 20>22+ 70>72+ 95+ 96

Construction Date : 04-09-03

Revision Date : 08-12-03

Page 21 of 21

