

Truflo

Protective Flow Switch

DN6 - DN40 (1/4" - 1 1/4")

Description

The TRUFLO switch ensures protection against flow changes that could be detrimental to equipment and processes. The TRUFLO functions by diaphragm action brought about by a flow through a calibrated nozzle. The movement of the diaphragm is used to operate a microswitch.

The underside of the diaphragm is in direct contact with the inlet flow, the upperside with the outlet flow from the calibrated nozzle. With no flow through the TRUFLO a spring loaded plunger holds the diaphragm in the down position.

Flow through the calibrated nozzle causes a pressure differential between top and bottom of the diaphragm, with the higher pressure on the underside of the diaphragm, pushing it upwards. This in turn causes the plunger to move, which changes over the microswitch.



Maximum Working Pressure (MWP)

Max. Working Pressure - 150psi (10.6 kg/cm²)

Min. Working Pressure - 3psi (0.21 kg/cm²)

Max Temp: 70 °C (160 °F)

Min Temp: 1 °C (34 °F)

Features

- Life Expectancy - 500,00 ops @ 15amps / 6,000,000 ops @ 5amps
- Further models available:
 - Standard; Freshwater etc
 - Industrial; Waterproof & for demineralised water
 - Marine M.O.D. (N) and NATO materials
 - Silicone; Diaphragm

Technical

CE Marking according to Pressure Equipment Directive 97/23/EC.

π Marking to Directive 99/36/EC only on written request complete with purchase order.

For other options please contact us.



TRUFLO

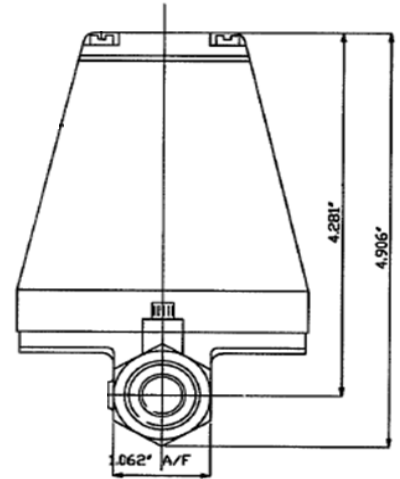
DN6 - DN40 (1/4" - 1 1/4")

Materials

Body	Gunmetal BS1.400/LG.2
Flang Plate	Brass BS.251*
Pressure plate	Stainless Steel EN58
Plunger	Stainless Steel EN58
Main Diaphragm	NITRILE (standard)

*may be plated for special fluids.

Note - for the main diaphragm; Other materials are available on request.



Valve Selection Data

Model numbers 102194, 94424 & 102988 with female 1/2" BSPT (BS21/ISO R7) end connections. Intermediate sizes fitted with reducers as required below.

Model No.	Flow suffix	Water Flow (2psi - 136 atm)		Air Flow (2psi - 136 atm)		Min Pipe Dia
		galls/min	l/min	cu. ft./min	m3/hr	
	/01N	1/10			.75	
	/02N		.50	1/2		
	/03N	1/8				
	/04N		.65	5/8	1.00	
	/05N		.75	3/4	1.25	Reducers
	/06N	3/16				
Commercial	/07N	1/5	.88	7/8	1.50	to
Type	/08N		1.00	1	1.75	
102194	/09N	1/4	1.13	1 1/8	2.00	1/4 inch
Industrial	/10N		1.25	1 1/4	2.13	
Type	/12N	5/16		1 3/8	2.50	or 3/4 inch
94424	/14N	3/8	1.50	1 5/8	2.75	
	/15N		1.75	1 7/8	3.00	BSPT
Marine	/16N		2.00	2	3.50	if required
Type	/17N	1/2	2.25	2 1/4	3.75	
102988	/18N		2.50	2 1/2	4.25	
	/20N	5/8	3.00	2 7/8	4.75	
	/21N	3/4	3.25	3 1/4	5.50	
	/22N		3.50	3 5/8	6.00	Reducers
	/23N	7/8	4.00	4	7.00	
	/24N	1	4.50	4 1/2	7.75	to
	/25N	1 1/8	5.00	5	8.50	
	/26N	1 1/4	5.50	5 5/8	9.50	3/8 inch
	/27N	1 3/8	6.25	6 1/4	10.00	
	/28N	1 1/2	7.25	7 1/4	12.25	BSP
	/29N	1 3/4	8.00	8	14.00	if required
	/30N	2	9.00	9	15.00	
	/31N	2 1/4	10.00	10 1/8	17.00	
	/32N	2 1/2	11.00	11 1/4	19.00	1/2 inch
	/33N	2 3/4	12.50	12 1/2	21.50	BSPT
	/34N	3	14.00	14 1/4	24.00	
	/35N	3 1/2	16.00	16	27.00	
	/36N	4	18.00	18	31.00	



TRUFLO

DN6 - DN40 (1/4" - 1 1/4")

Commercial			Marine Industrial	
No. Size	102194 1/2" B.S.P.T.	102917 1 1/4" B.S.P.T.	102988 94424 1/2" B.S.P.T.	102989 94425 1 1/4" B.S.P.T.
A	108mm	113mm	108mm	113mm
B	122mm	121mm	125mm	153mm
C	106mm	117mm	109mm	120mm
D	27mm	51mm	27mm	51mm
E	119mm	119mm	82mm	82mm
F	54mm	54mm	81mm	94mm
G	1/2" B.S.P.T.	1 1/4" B.S.P.T.	1/2" B.S.P.T.	1 1/4" B.S.P.T.

When Ordering, please quote:	Example
Model No. and Flow Suffix	102194/24N
Pipe Size	3/8
Fluid	Fresh Water
Max. Pressure	120psi
Max. Temp	60 °C
Critical Flow	1gall/min
Switch Action	To make on flow falling to 1gall/min