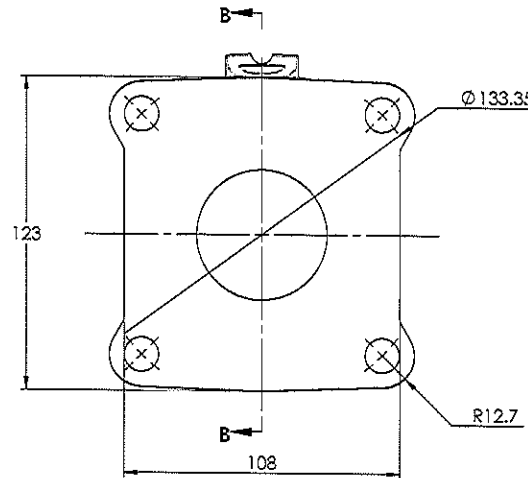


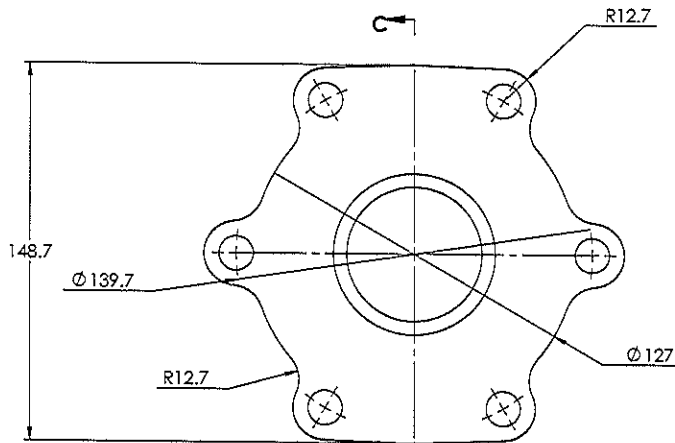
SECTION A-A

B11537



SECTION B-B

B11522



SECTION C-C

B11543

UNLESS OTHERWISE SPECIFIED DIMENSIONS ARE IN MILLIMETERS
 UNSPECIFIED TOLERANCES: M/C FINISH: 1/1 ALL OVER EXCEPT WHERE STATED
 LINEAR: ± 0.25mm REMOVE ALL BURRS & SHARP EDGES
 ANGULAR: ± 0.5° CHAMFER ALL THREADS 45° x DEPTH
 SUPERSEDES ALL PREVIOUS ISSUES MATERIAL: CU ALLOY
 BS EN 1982 CC491K

DATE: 15/01/2015
 K.D.MOTHERWELL
 CHECKED: DATE: SCALE: 1:2

RELEASE STATUS: PROPOSAL A3 DO NOT SCALE DRAWING