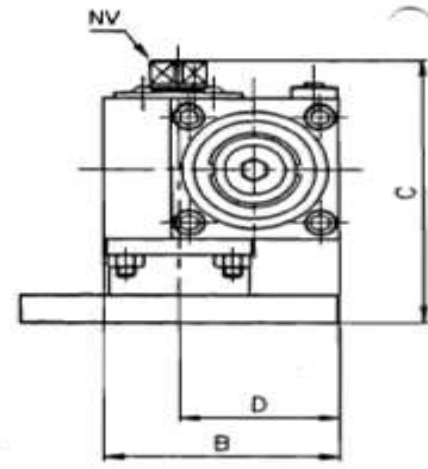
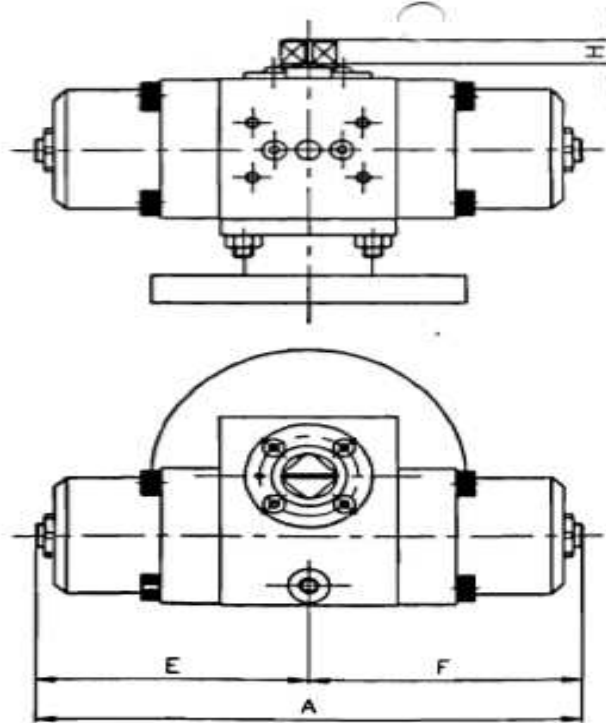





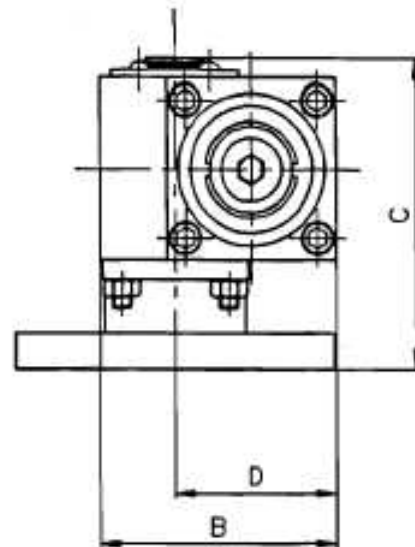
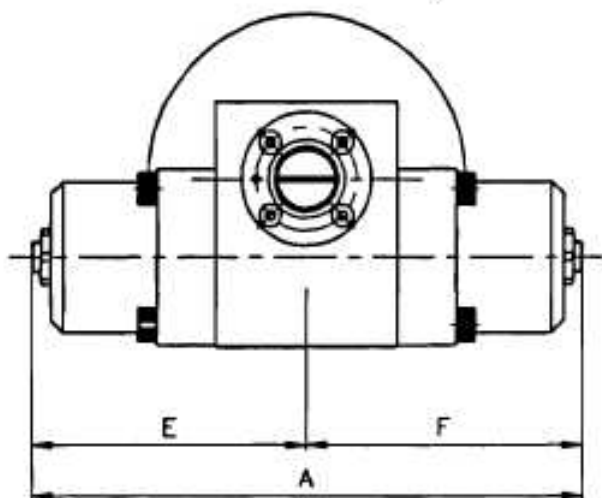
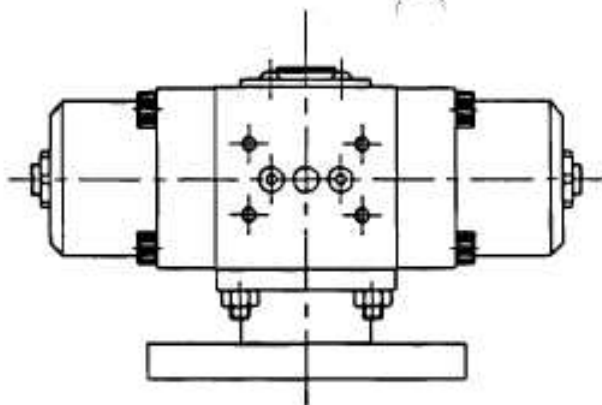
# Best Engineering (Service Division) Ltd



The torque is calculated at working pressure=135bar  
All dimensions are in millimeter


BHA 3	1600Nm	402	150	196	102	201	201	18	34	31kg
BHA 2	760Nm	328	123	165	87	164	164	14	27	14.6kg
BHA 1	275Nm	228	97	135	65	114	114	12.5	17	6.6kg
BHA 0	100Nm	192	71	108	48	96	96	11.5	12	3.3kg
ACTUATOR	TORQUE	A	B	C	D	E	F	H	NV	WEIGHT

BHA 3	018-1632	022D1283
BHA 2	018-1762	
BHA 1	018-1942	
BHA 0	018-2812	
ACTUATOR	ID-NUMBER	ASS. DWG.
<small>This print is the property of N.M.H. and is provided on a restricted basis. It is not to be copied, transferred or otherwise made available to any unauthorized person.</small>		
DESCRIPTION: ACTUATOR BHA MARK 2 DIMENSION SHEET		
 NORDISK MARINE HYDRAULIK DANMARK A/S Sønderboen 8 - DK-4700 Roskilde Tel. 35771800 - Telex 46124 - Fax 35773177		
3-2		0240065X

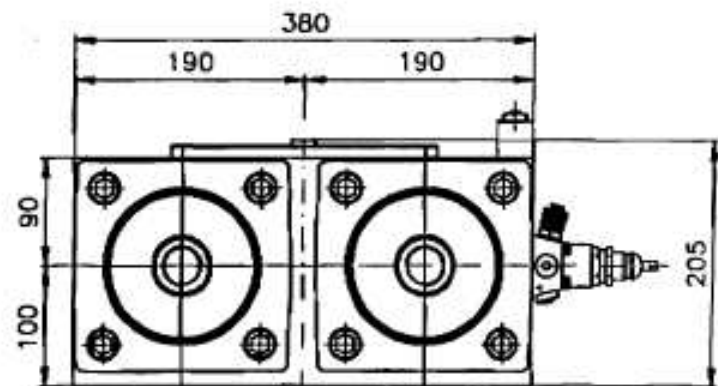
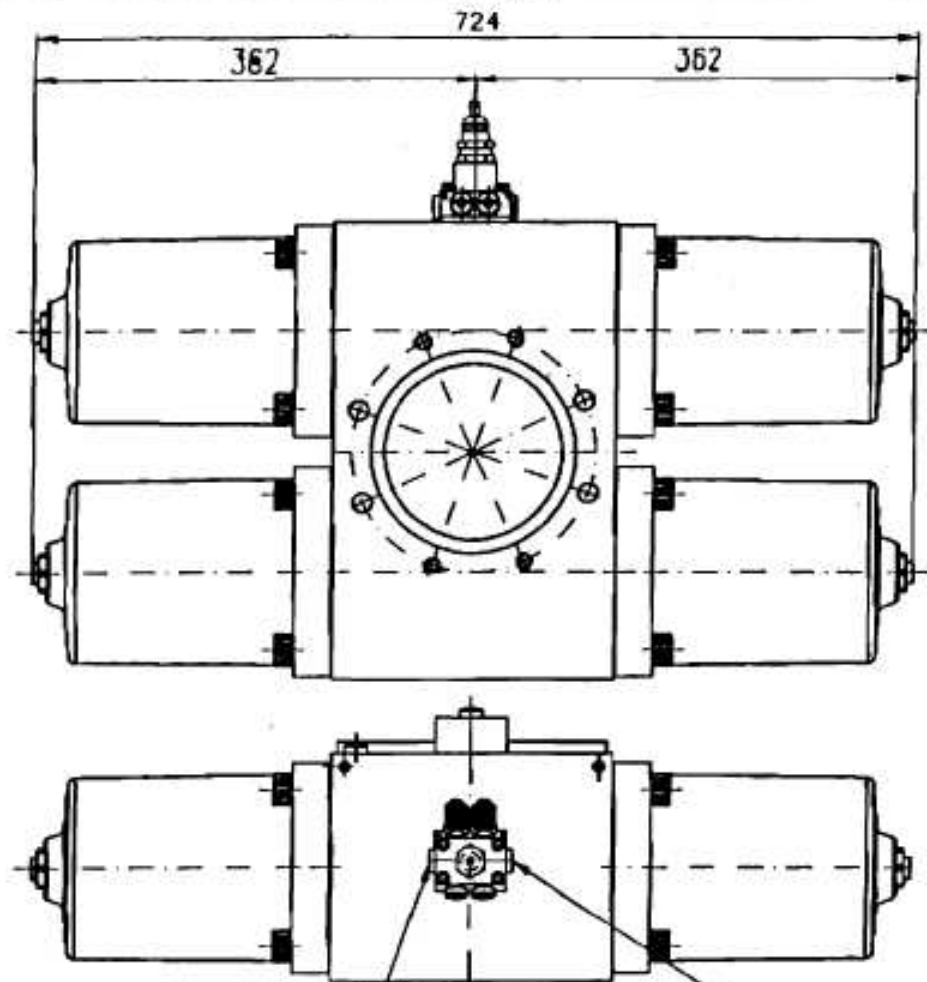


BHA 5	6500Nm	608	233	289	163	304	304	105kg
BHA 4	3250Nm	504	190	230	133	252	252	56kg
ACTUATOR	TORQUE	A	B	C	D	E	F	WEIGHT

The torque is calculated at working pressure=135bar  
All dimensions are in millimeter

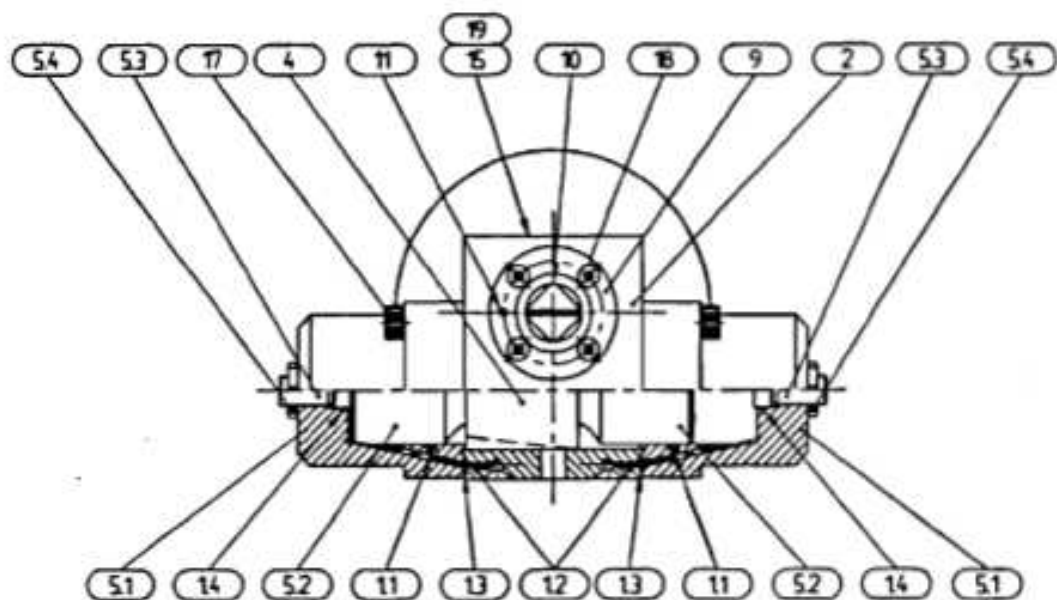
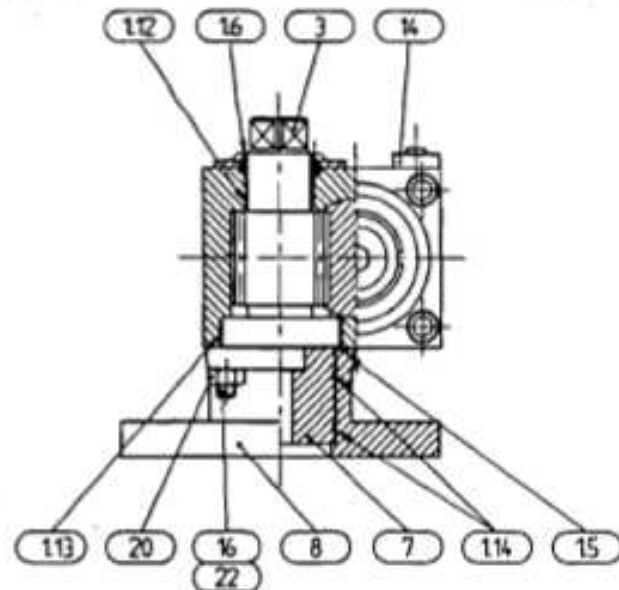
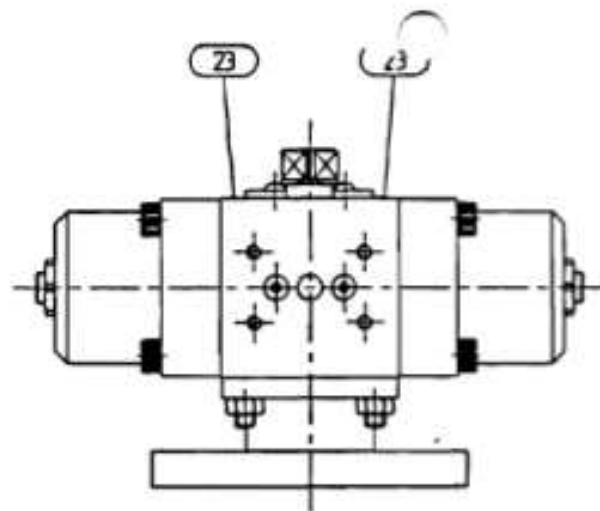
BHA 5	027-1291	027D1001	
BHA 4	027-1001	027D1001	
ACTUATOR	ID-NUMBER	ASS. DWG.	
<small>This print is the property of N.M.H. and is provided on a restricted basis. It is not to be copied, transferred or otherwise made available to any unauthorized person.</small>			
DESCRIPTION		ALTR.	DATE
ACTUATOR BHA MARK 2 DIMENSION SHEET			
 <b>NORDISK MARINE HYDRAULIK DANMARK A/S</b> <small>Marinetuen 6 - DK-4700 Nestved          Tel. 55771800 - Telex 40124 - Fax 55773177</small>		941183	JHC
		3-3	1
		0270502x	




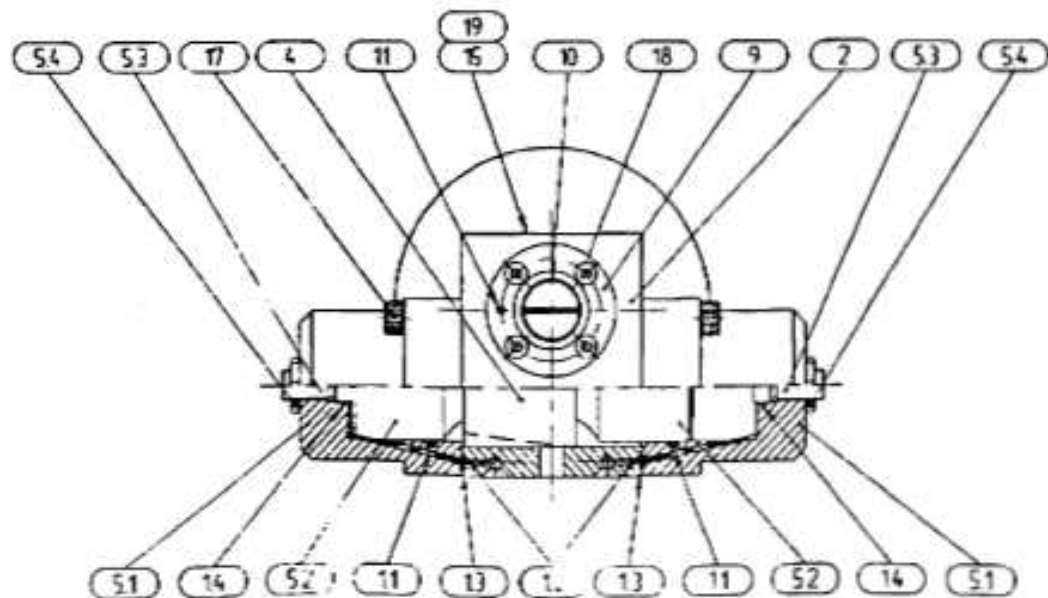
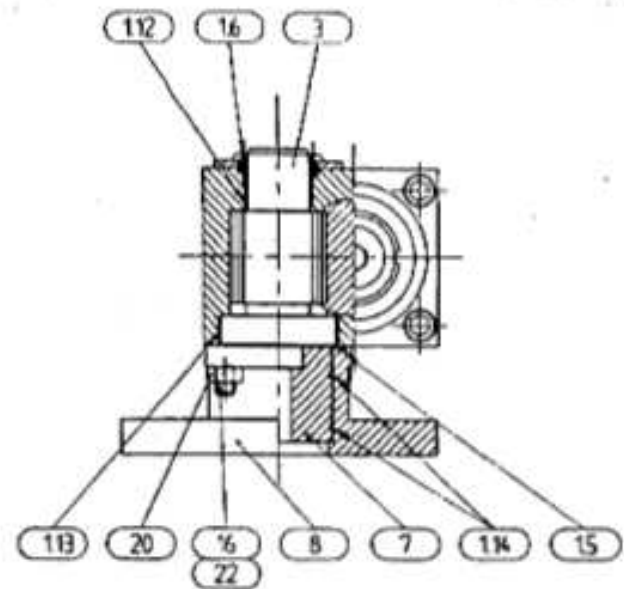
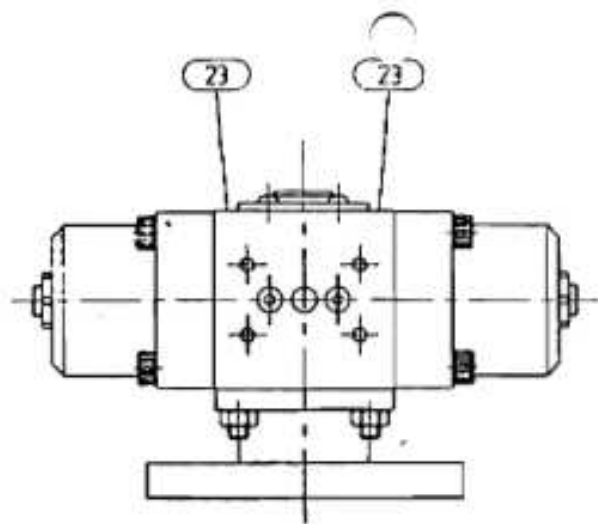



Conn. for pilot line "B" : 1/4" BSP  
 Conn. for pilot line "A" : 1/4" BSP

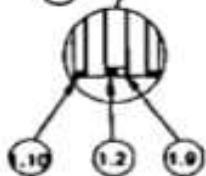
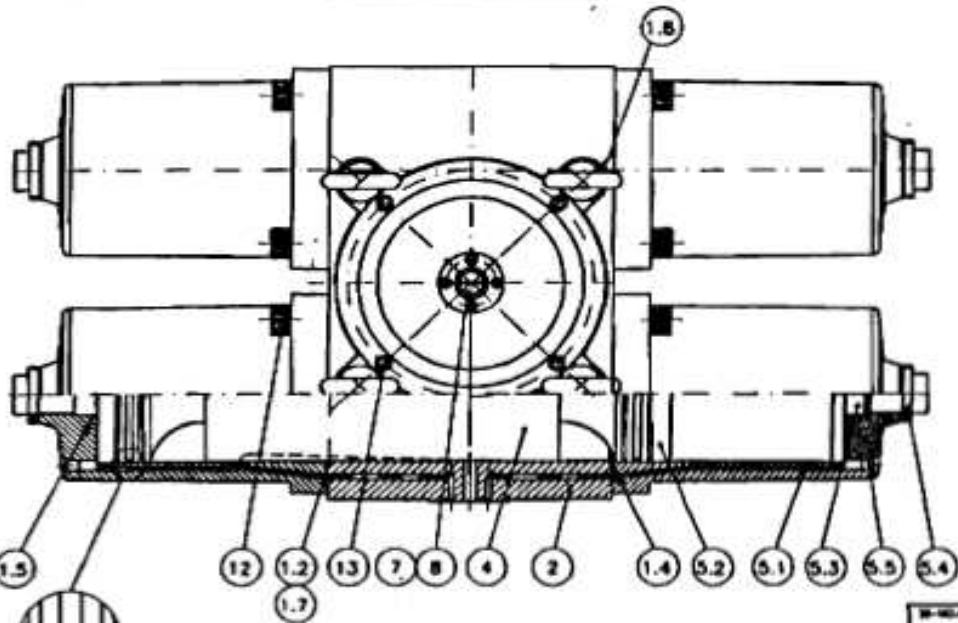
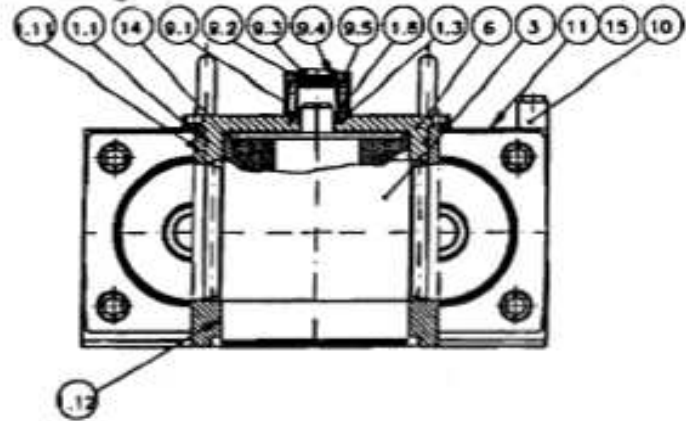
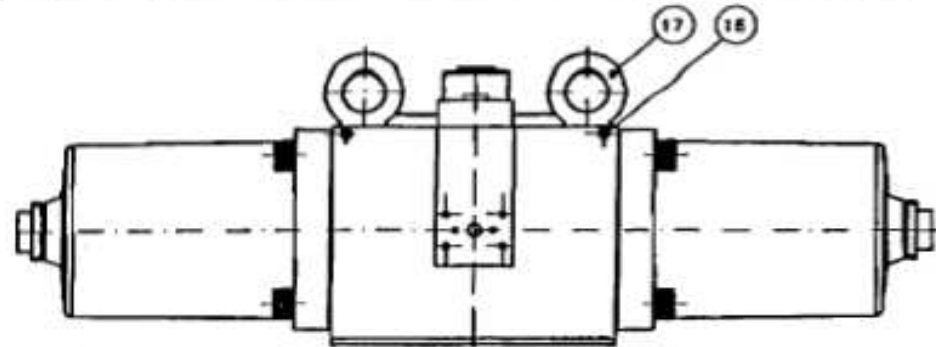
NO. IN	DESCRIPTION	NUMBER	UNIT	SURFACE TREATMENT			CHECK	
REPLACE	REPLACED BY	SCALE	NETL	DATE	BY	CH-CK	DATE	
SURFACE WITH NO RELEASE OIL R <sub>a</sub> 3.2		This print is the property of N.M.H. and is provided on a restricted basis. It is not to be copied, transferred or otherwise made available to any unauthorized person.						
DESCRIPTION DIMENSION SHEET BHA 7 MK2								
NORDISK MARINE HYDRAULIK DANMARK A/S Starbuse 8 - DK-4700 Skovved 55771000 - Telex 40124 - Fax 55773177		3-5 029n096x						



BHA 3	018-1632	024D0652
BHA 2	018-1762	
BHA 1	018-1942	
BHA 0	018-2812	
ACTUATOR	ID-NUMBER	DIM. SHEET
<small>This print is the property of N.M.H. and is provided on a restricted basis. It is not to be copied, transferred or otherwise made available to any unauthorized person.</small>		<small>ALT. DATE BY OTHER POSS.</small>
DESCRIPTION: ACTUATOR BHA MARK 2 ASS. DVG.		<small>DATE NO.</small>
 <b>NORDISK MARINE HYDRAULIK DANMARK A/S</b> <small>Marintorvet 8 - DK-4700 Helsingør          Tel. 55771800 - Telex 40124 - Fax 55773177</small>		<small>DATE NO.</small> 0220128x



BHA 5	027-1291	027D5021
BHA 4	027-1001	
ACTUATOR	ID-NUMBER	DIM. SHEET
<small>This print is the property of K&amp;M H and is controlled on a restricted basis. It is not to be copied, transferred or otherwise made available to any unauthorized person.</small>		<small>DATE</small> <small>BY</small> <small>CHECK FILE</small>
DESCRIPTION ACTUATOR DHA MARK 2 ASS. DMC		
 NORDISK MARINE HYDRAULIK DANMARK A/S <small>Moustenvej 5 - DK-1705 Herlev          DK 3577 Søborg - Telefon 46124 - Fax 55773117</small>		<small>041103</small> <small>027D5021</small> <small>3-2</small> <b>027D100X</b>



NO.	ITEM DESCRIPTION	QTY	UNIT	SURFACE TREATMENT	WEIGHT
1	REPLACE	REPLACE BY	SCALE	A/R	ONE
<p>REPLACE BY</p> <p>SCALE</p> <p>A/R</p>					
<p>DESCRIPTION</p> <p>ACTUATOR BHA 7 MARK 2</p> <p>ASS. DMC.</p>					
<p>NORDISK MARINE HYDRAULIK</p> <p>DANMARK A/S</p> <p>Markvejen 8 - DK-4700 Næstved</p> <p>Tel. 56771800 - Telex 40124 - Fax 51773177</p>				<p>350028 LHC</p> <p>3-B 02901.48x</p>	