



JOHN GJERDE™

Specialists in maritime tank venting technique

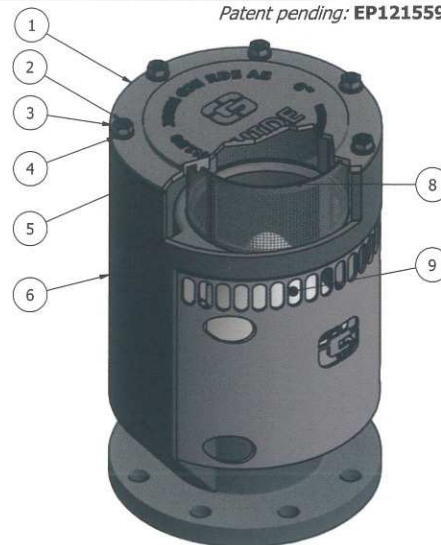
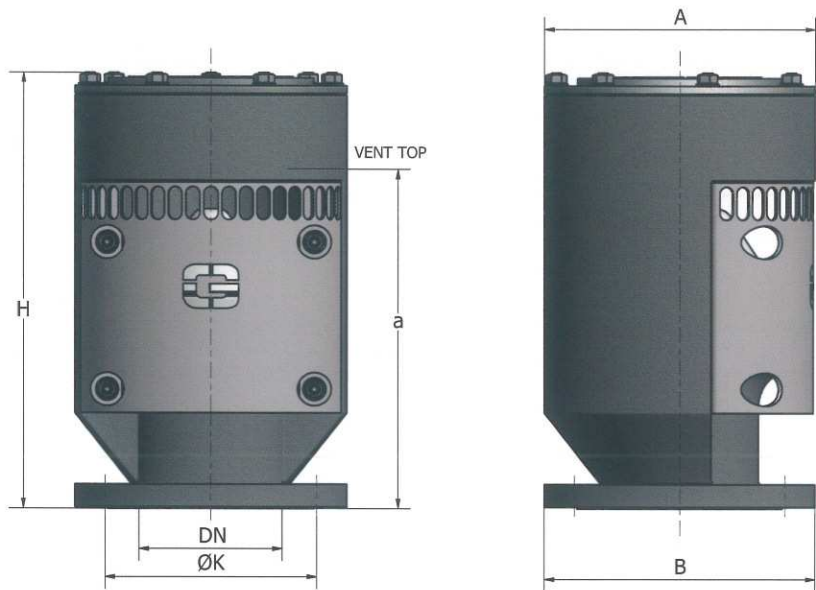
John Gjerde AS
goes
green



HIDE

HIDE tank vent check valves are:

- ▶ Seawater resistant aluminum
- ▶ Light weighted to reduces CO₂
- ▶ Small design
- ▶ No suction blocking
- ▶ Innovative patented technology



DIMENSION TABLE							
INCH	DN	H	a	A	B	ØK	WEIGHT
1 1/2	40	175	131	120	150	110	2 kg
2	50	228	180	140	165	125	3 kg
2 1/2	65	250	190	160	185	145	3,5 kg
3	80	274	212	180	200	160	4 kg
4	100	316	239	210	220	180	6 kg
5	125	386	292	250	250	210	11 kg
6	150	460	358	285	285	240	18 kg
8	200	533	400	260	343	295	30 kg
10	250	680	510	430	406	355	44 kg
12	300	800	585	520	460	400	77 kg

Measurement in mm

- ITEM 8 *Option: flame, bug or rat screen.
- Option: Different flange connections available
- Approved by major classification societies

PARTS LIST				
ITEM	DESCRIPTION	MATERIAL		
1	TOP	Aluminum		
2	BOLT	Stainless Steel		
3	NUT	Stainless Steel		
4	WASHER	Stainless Steel		
5	GASKET	Rubber		
6	BODY	Aluminum		
7	COVER	Aluminum		
8	FLAMESCREEN (*OPTIONAL)	Stainless Steel		
9	FLOAT DISC	Plastic PVC/ABS		

This drawing/specification is the property of JOHN GJERDE AS and must neither be used, reproduced or handed over to a third part without our permission.

www.gjerde.com		Scale	Date	Sign
JOHN GJERDE Specialists in maritime tank venting technology	~	Drawn	24.02.2012	Moran
		File	S-12811.idw	
		Check	12.01.2012	MGS
		Plot	24.02.2012	MGS
Mar. Dir.	Title	Draw. no.	Weight:	N/A
Class.	HIDE DN40>300			
Owner				
Appr.				S-12811-A



The new patented **HIDE** aluminum tank vent check valves of John Gjerde combines light weight, compact design and high flow capacity.

A reduction of 60% in weight comparing to steel valves helps to reduce the total weight of a vessel and its discharge of CO2. Together with its compact design it gives the designers a tool to create more space at narrow places on board of conventional/offshore vessels as well as on board of smaller high tech aluminum patrol boats and yachts..

Due to the innovative and patented technology used, the **HIDE** tank vent check valves have a flow capacity which is second to none. Problems such as suction blocking will be history as the **HIDE** valves has a flow capacity of more than 40 m/sec!

For more information, please contact:

John Gjerde AS
 Bryggjebakken
 6083 Gjerdsvika, Norway.

Telephone : +47 7002 6500
Website : www.gjerde.com
e-mail : office@gjerde.com

