

PARTS-, SPARE & MATERIAL LIST

Emerson Process Management
Marine Solutions
Damcos A/S

Component: type & version
ACTUATOR BRC-012/180 GR.
Material no.:
052-7451
Alt.: 1

Aaderupvej 41
DK-4700 Naestved
Denmark
T +45 5578 7200
F +45 5578 7272

Page 1 of 2

Notes: All items with stated material number can be purchased as spare parts.
When ordering spare parts: please state material number.

Document numbers referred to: 052B7451

Posnr	Material	Description/ Compound	CTM No.	Quantity	Unit
0000	----->	219-0285 PAK.SET BRC 012/180 GR.		1,000	PC
0001	056C1691	HOUSING M/6 180 GR 0-LAGER		1,000	PC
0002	052D7361	PISTON BRC 012/180 GR. SPEC.		1,000	PC
0003	052D7391	TOP PIECE BRC 012/180 GR. SPEC		1,000	PC
0004	052D7371	SPLINED SHAFT BRC 012/180 0-STOCK		1,000	PC
0005	165F2031	INDICATOR SHAFT BRC 012 - 180°		1,000	PC
0006	390-0011	THRUST CAGE D55 USt.13 (W.no.1.0333)	POL	1,000	PC
0007	390-0111	THRUST WASHER D55 100Cr6 (W.no.1.3505)	ROL	2,000	PC
0008	051C5841	BOTTOM PART BRC 012		1,000	PC
0009	051E6541	COVER BRC 022-092		1,000	PC
0011	202-0102	X-RING Ø88,27X5,33 PD 85	PD	2,000	PC
0012	202-0046	X-RING Ø24,99X3,53 PD 85	PD	3,000	PC
0013	202-0082	X-RING Ø54,5X5,33 PD 85	PD	1,000	PC
0014	202-0031	X-RING Ø17,75X2,62 PD 85	PD	1,000	PC
0015	041E7491	PACKING FOR BRC 002		1,000	PC
0016	200-0207	O-RING Ø94,5X3 NBR 70	NBR	1,000	PC
0017	200-0183	O-RING Ø24,5X3 NBR 70	NBR	1,000	PC
0018	200-2600	O-RING Ø72,69X2,62 NBR 70	NBR	1,000	PC

PARTS-, SPARE & MATERIAL LIST

Emerson Process Management
Marine Solutions
Damcos A/S

Component: type & version
ACTUATOR BRC-012/180 GR.
Material no.:
052-7451
Alt.: 1

Aaderupvej 41
DK-4700 Næstved
Denmark
T +45 5578 7200
F +45 5578 7272

Page 2 of 2

Refnr	Material	Description/ Compound	CTM No.	Quantity	Unmsr
0019	200-2041	O-RING Ø87,1X2,4 NBR 70	NBR	1,000	PC
0020	200-0104	O-RING Ø7,1X1,6 NBR 70	NBR	1,000	PC
0021	250-2116	SCREW M10X40	08.8	16,000	PC
0022	251-1054	SCREW M5X12 X5CrNi18 9(W.no.1.4301)	7A2	3,000	PC
0023	251-7136	SET SCREW/CUP POINT M10X40 X5CrNi18 9(W.no.1.4301)	7A2	4,000	PC
0026	273-0196	PIPE PIN 4X36 W.no.1.5026	N20	1,000	PC
0028	9026E0661	PLUG 3/8 INCH BSP		2,000	PC
0029	230-0177	NAME PLATE 51X74X0,5	F90	1,000	PC
0030	260-0412	RIVET D1,9X5	5/A4	4,000	PC
9900	----->	MÅLSKITSE BRC-012/180 GR.		1,000	PC

PARTS-, SPARE & MATERIAL LIST

Emerson Process Management
Marine Solutions
Damcos A/S

Component: type & version

SET OF SEALS FOR BRC 012/180 GR.

Material no.:

219-0285

Alt.: 1

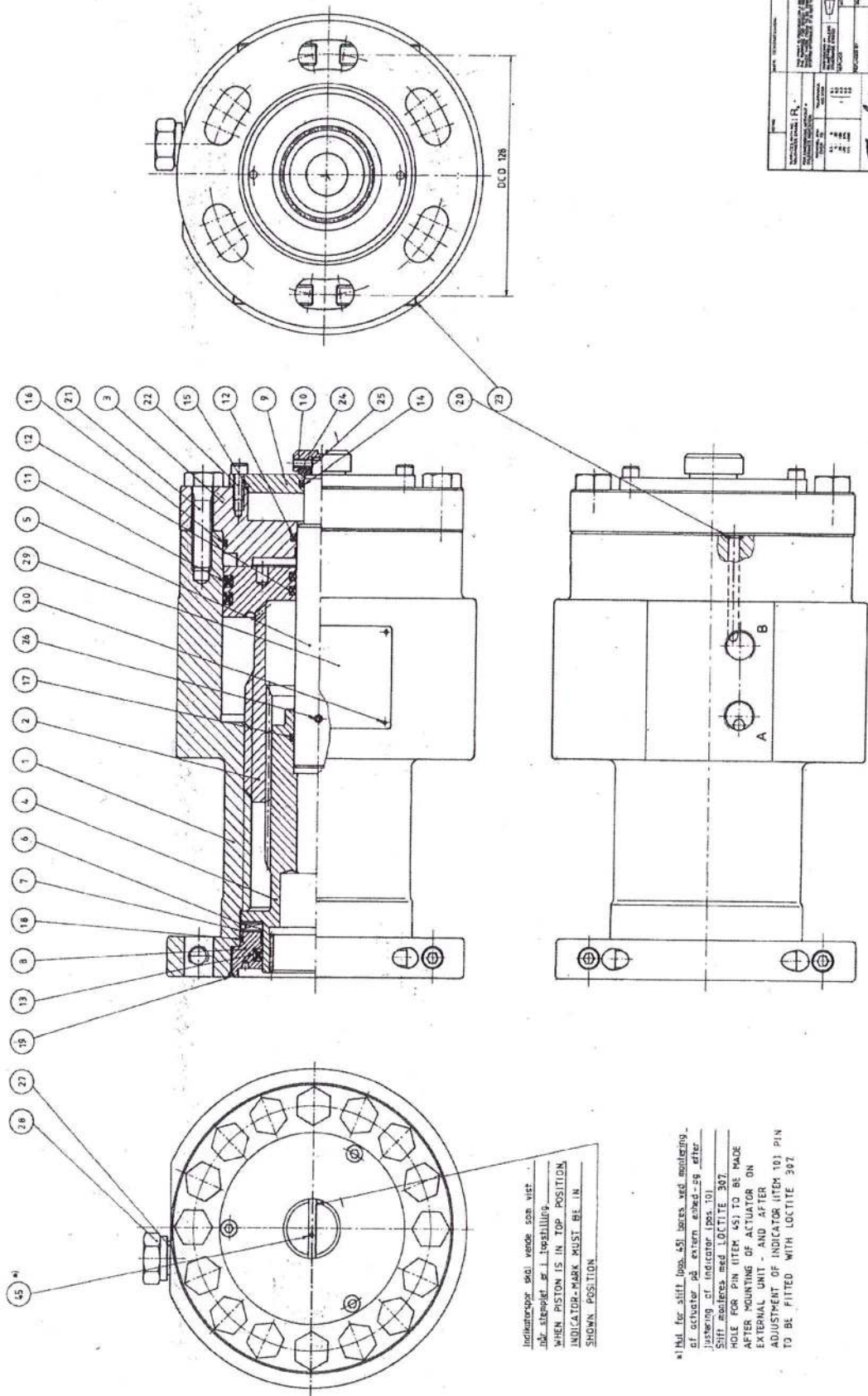
Aaderupvej 41
DK-4700 Naestved
Denmark
T +45 5578 7200
F +45 5578 7272

Page 1 of 1

Notes: All items with stated material number can be
purchased as spare parts.

When ordering spare parts: please state material number.

Posnr	Material	Description/ Compound	CTM No.	Quantity	Unit
0011	202-0102	X-RING Ø88,27X5,33 PD 85	PD	2,000	PC
0012	202-0046	X-RING Ø24,99X3,53 PD 85	PD	3,000	PC
0013	202-0082	X-RING Ø54,5X5,33 PD 85	PD	1,000	PC
0014	202-0031	X-RING Ø17,75X2,62 PD 85	PD	1,000	PC
0015	041E7491	PACKING FOR BRC 002		1,000	PC
0015	----->	200-2541 O-RING Ø72,75X1,78 Valid from 19870116 to 19880107		1,000	PC
0016	200-0207	O-RING Ø94,5X3 NBR 70	NBR	1,000	PC
0017	200-0183	O-RING Ø24,5X3 NBR 70	NBR	1,000	PC
0018	200-2600	O-RING Ø72,69X2,62 NBR 70	NBR	1,000	PC
0019	200-2041	O-RING Ø87,1X2,4 NBR 70	NBR	1,000	PC
0020	200-0104	O-RING Ø7,1X1,6 NBR 70	NBR	1,000	PC
0025	046E2951	FILTDISC Ø24/Ø10*3.0		1,000	PC



Indikatorpin. skal vende som vist
 ind. skeneget af i. Ievstilling.
 WHEN PISTON IS IN TOP POSITION
 INDICATOR-MARK MUST BE IN
 SHOWN POSITION

*Hul. for slift. (pos. 45) beres ved monterig.
 af actuator på extern anord- og efter
 justering af indikator. (pos. 10).
 Slift. monteres med LOCTITE 307
 HOLE FOR PIN (ITEM 45) TO BE MADE
 AFTER MOUNTING OF ACTUATOR ON
 EXTERNAL UNIT - AND AFTER
 ADJUSTMENT OF INDICATOR (ITEM 10) PIN
 TO BE FITTED WITH LOCTITE 307

Danfoss DANFOSS SYSTEM HYDRAULIK A/S		Model: BFC 012/180 Serienr.: 052B7451
Tekn. afdeling 10000 10000 10000	Tegningens nr.: 10000 Udgave: 1.1 Dato: 1983.12.15	Udført af: 10000 Kontrolleret af: 10000 Godkendt af: 10000