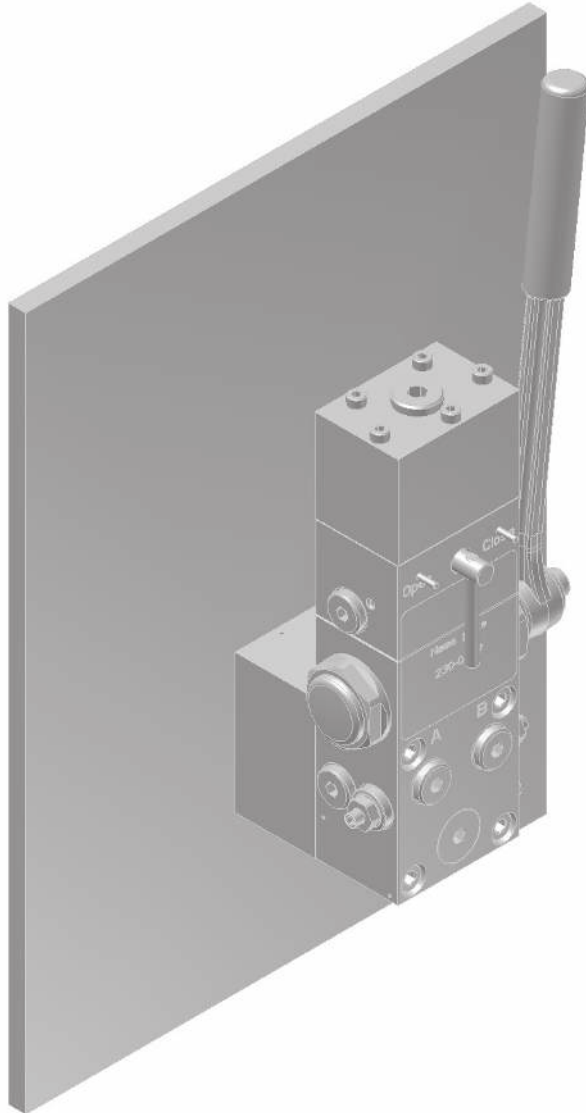


Damcos™ Hand Pump - Bulkhead Mounted



General Description

The bulkhead mounted hand pump is used when the hand pump can't be mounted directly on the actuator i.e. extra pipe and block installation is required. Due to for example limited space near the valves or a submerged valve that can't be accessed at all. The bulkhead mounted hand pump exists in a standard version and VPI version.

The bulkhead mounted hand pump requires always a tank. The tank size and tank type determines according to hand pump

functionality. Please note that a bulkhead mounted LPU must be mounted with the tank upwards, but a LPU mounted directly on the actuator can be mounted with an arbitrary tank position.

Note!

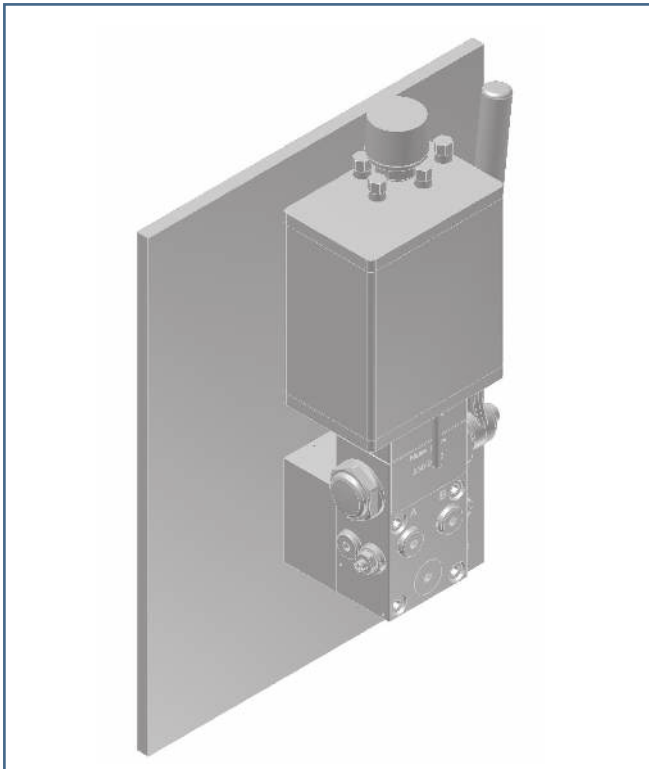
The very large actuators are not recommendable to be operated by standard handpump - ask for directions.

Application

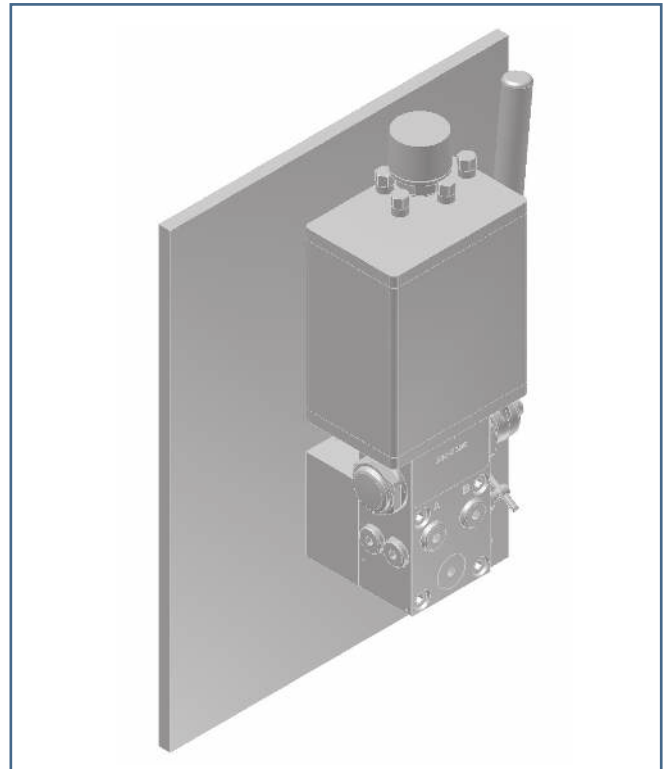
Hand pump type	Range
HP-D-B-1	BRC 125 - 8000 & KC 65 - 400
HP-D-B-VPI-V-1 *	BRC 125 - 8000 & KC 65 - 400
HP-S-B-1	BRCF 125 - 2000 & KF 65 - 200
HP-S-B-4	BRCF 4000
HP-S-B-VPI-V-1 *	BRCF 125 - 2000 & KF 65 - 250
HP-S-B-VPI-4 *	BRCF 4000

*)Please note that oil volume must be taken into consideration to determine the correct VPI gear ratio.

Bulkhead Mounted Handpump for HP-D-B-1 and HP-S-B-1



HP-D-B-1

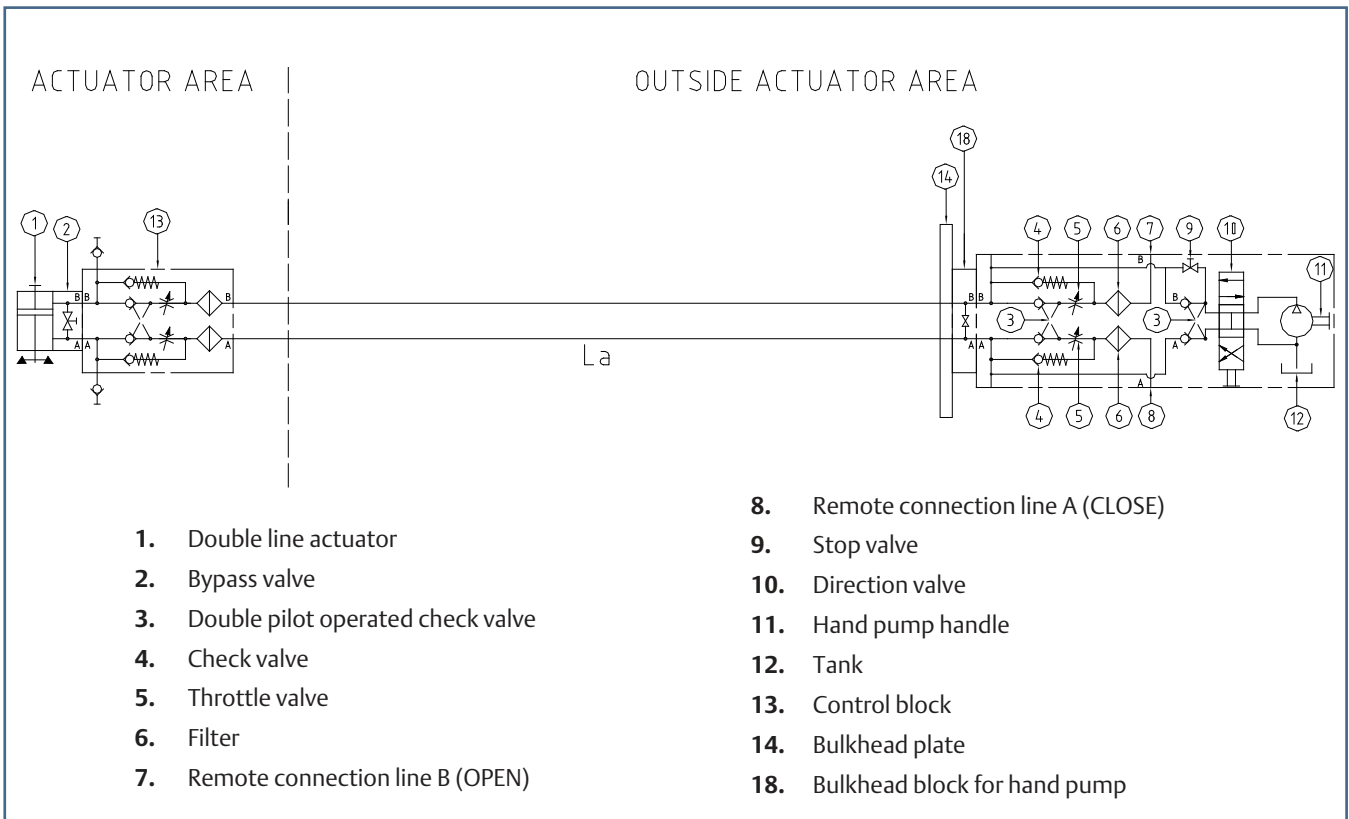


HP-S-B-1

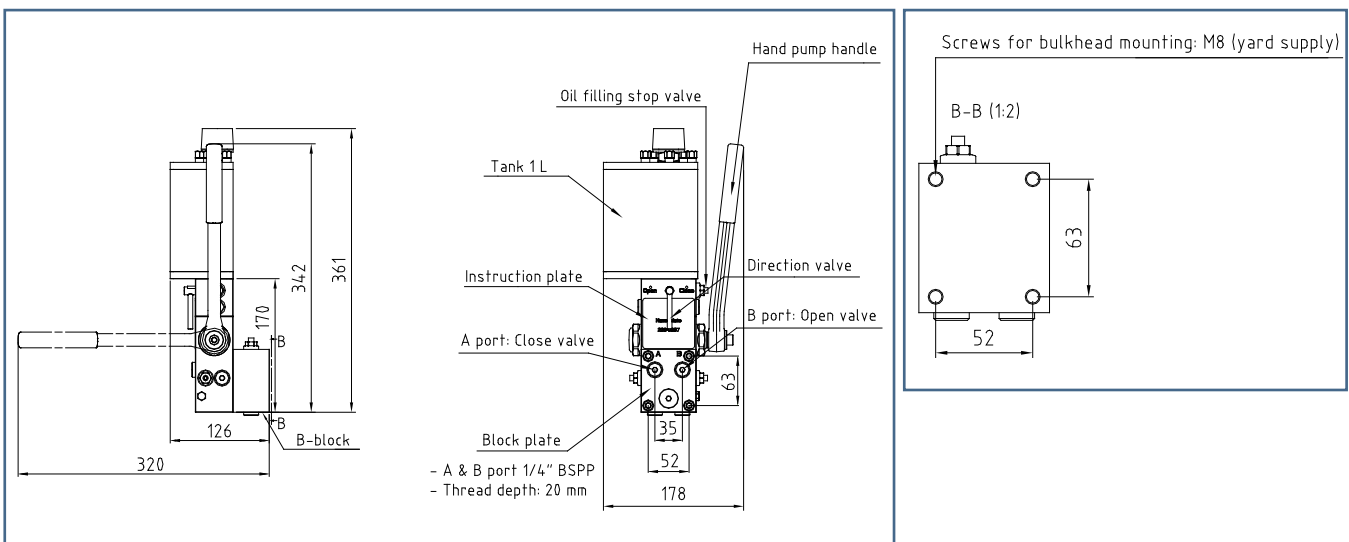
Installation Requirements for HP-D-B-1 and HP-S-B-1/4

- Length between actuators and hand pump: $L_a < 30$ m.
- Handpump between main supply source SPU/Valve cabinet and actuator, see hydraulic diagram.

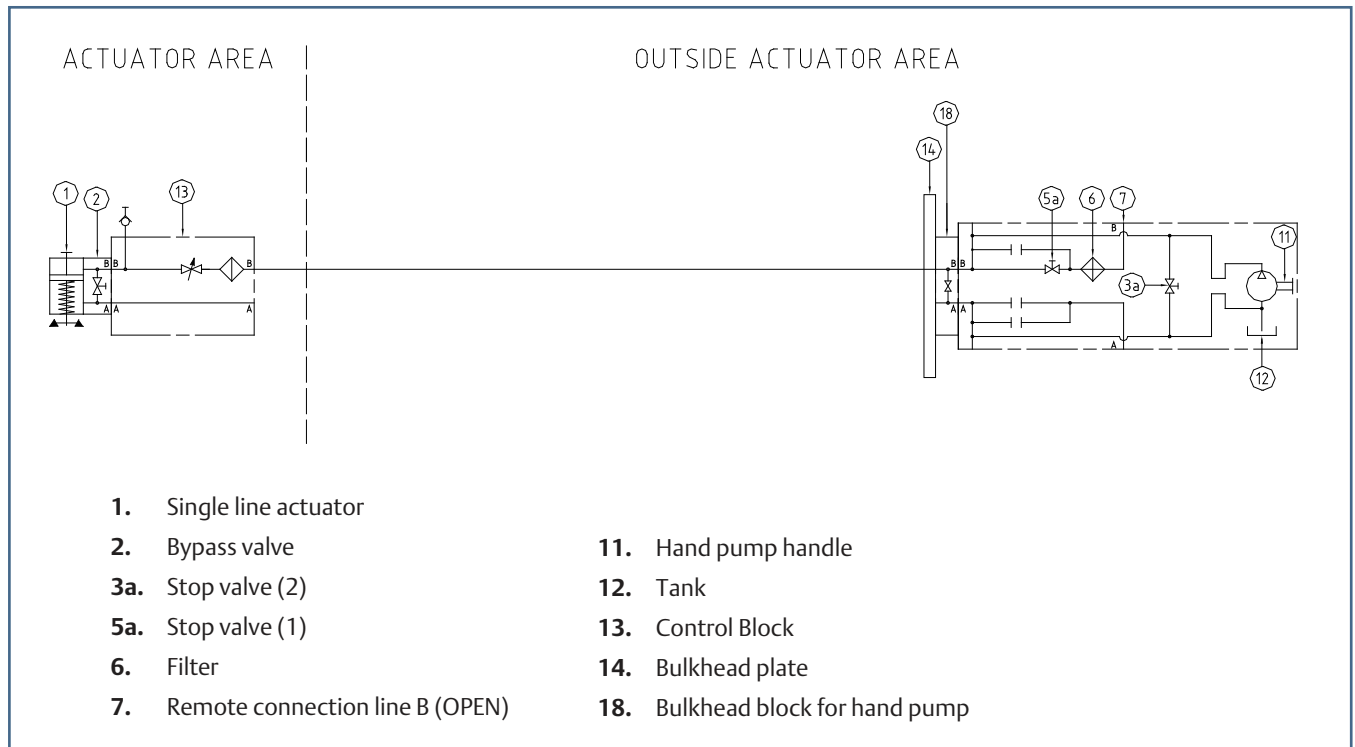
Hydraulic Diagram for HP-D-B-1



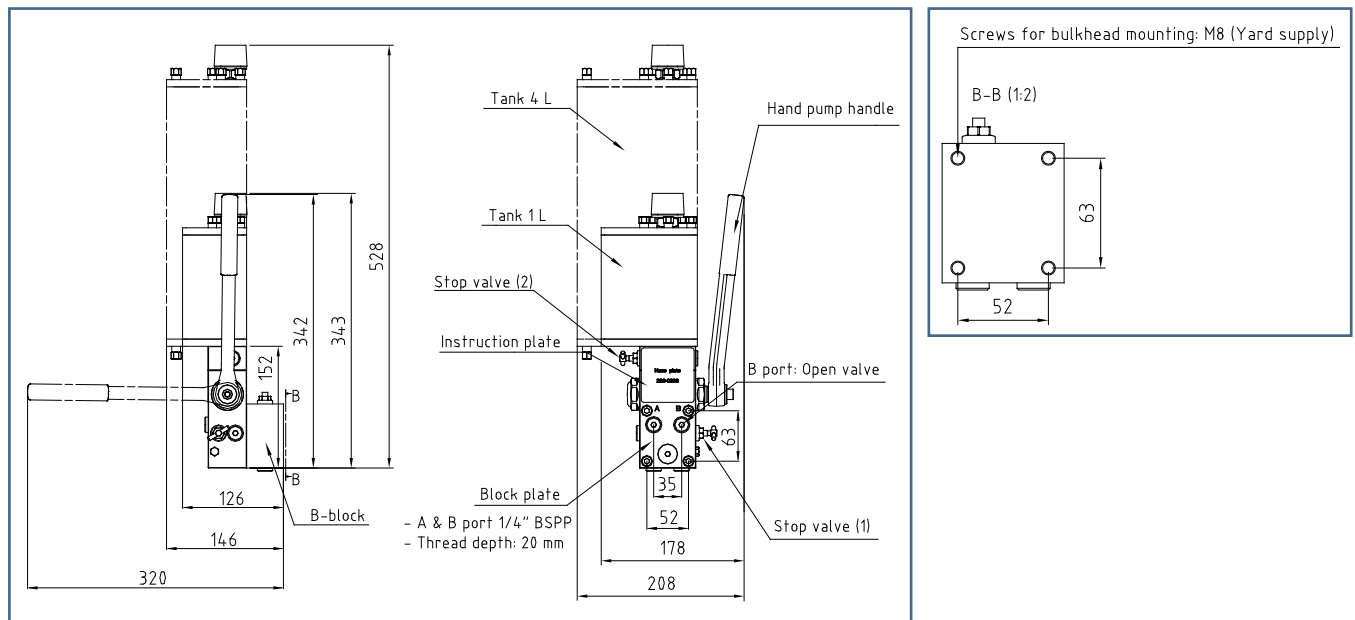
Dimensions for HP-D-B-1



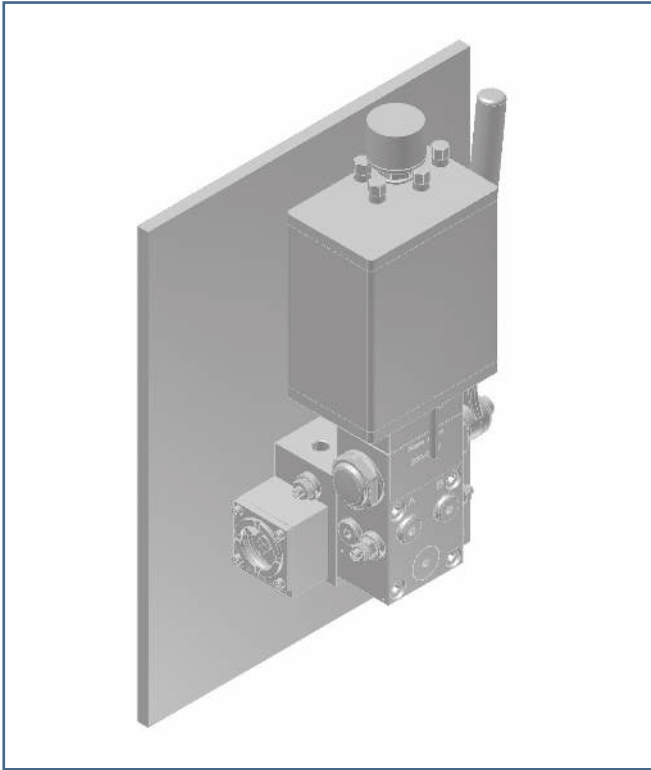
Hydraulic Diagram for HP-S-B-1/4



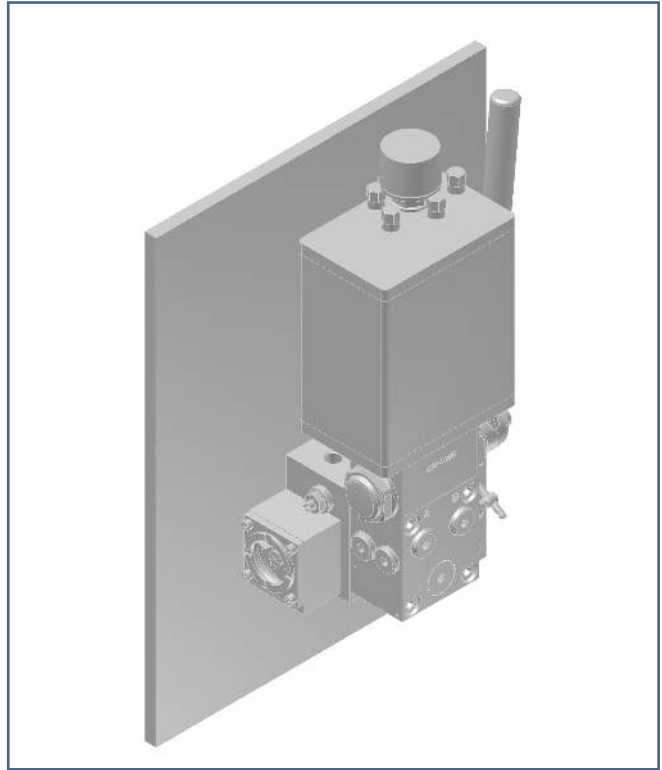
Dimensions for HP-S-B-1/4



Bulkhead Mounted Handpump with VPI



HP-D-B-VPI-V-1

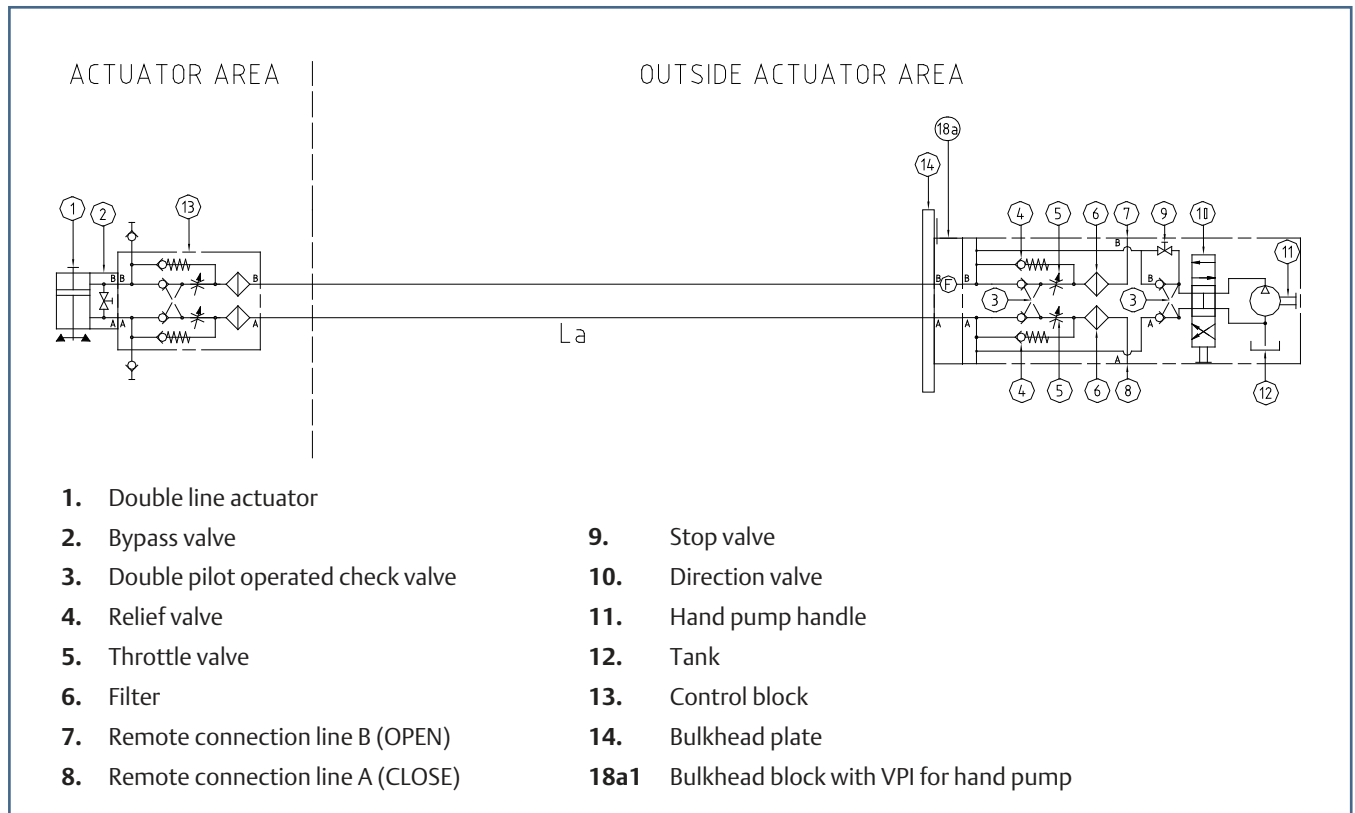


HP-S-B-VPI-V-1

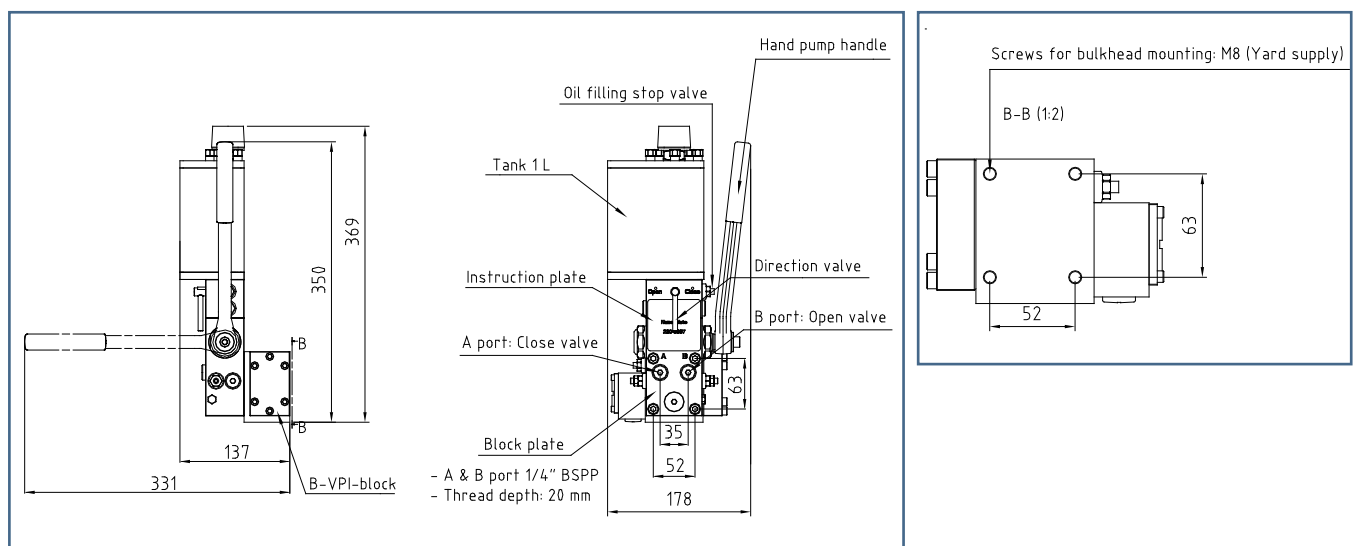
Installation Requirements for HP-D-B-VPI-1 and HP-S-B-VPI-V-1/4

- Length between actuators and hand pump: $L_a < 30$ m.
- Handpump between main supply source SPU/Valve cabinet and actuator, see hydraulic diagram.

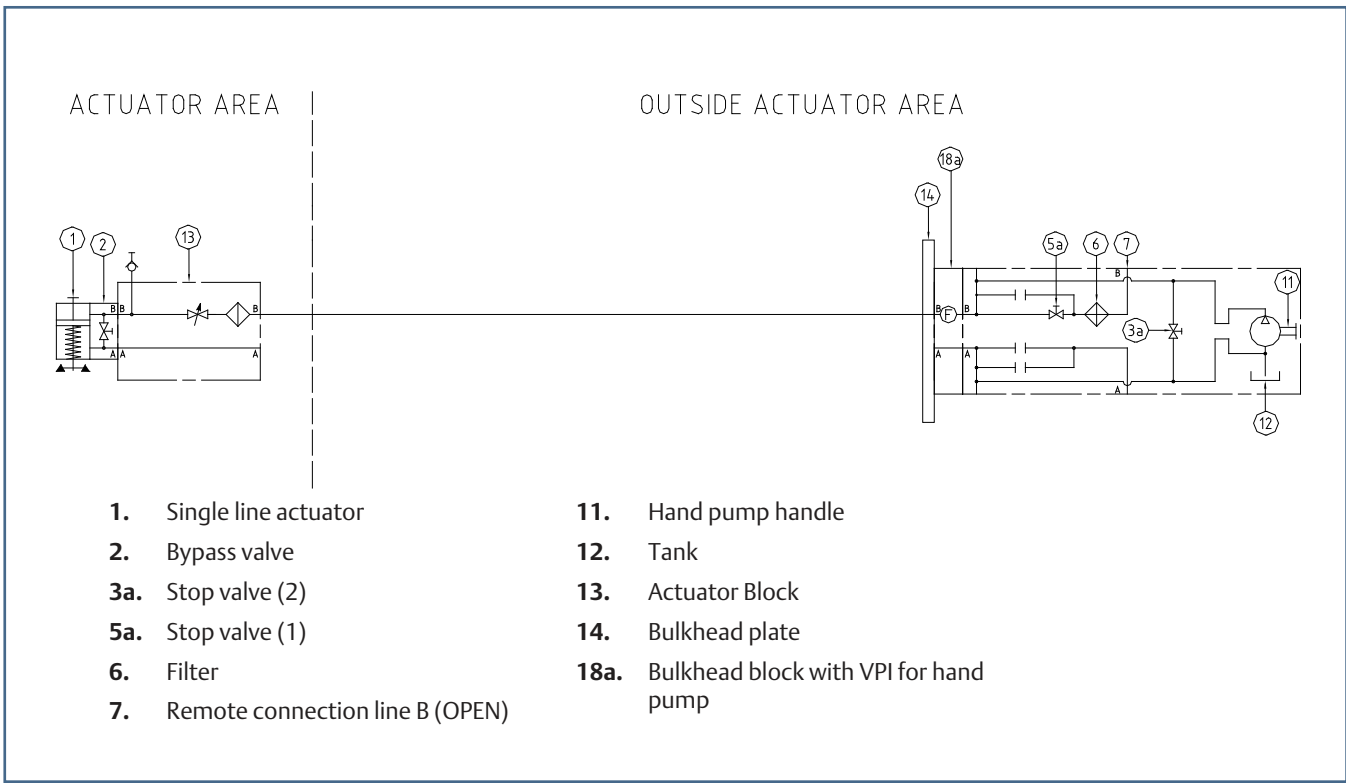
Hydraulic Diagram for HP-S-B-VPI-V-1



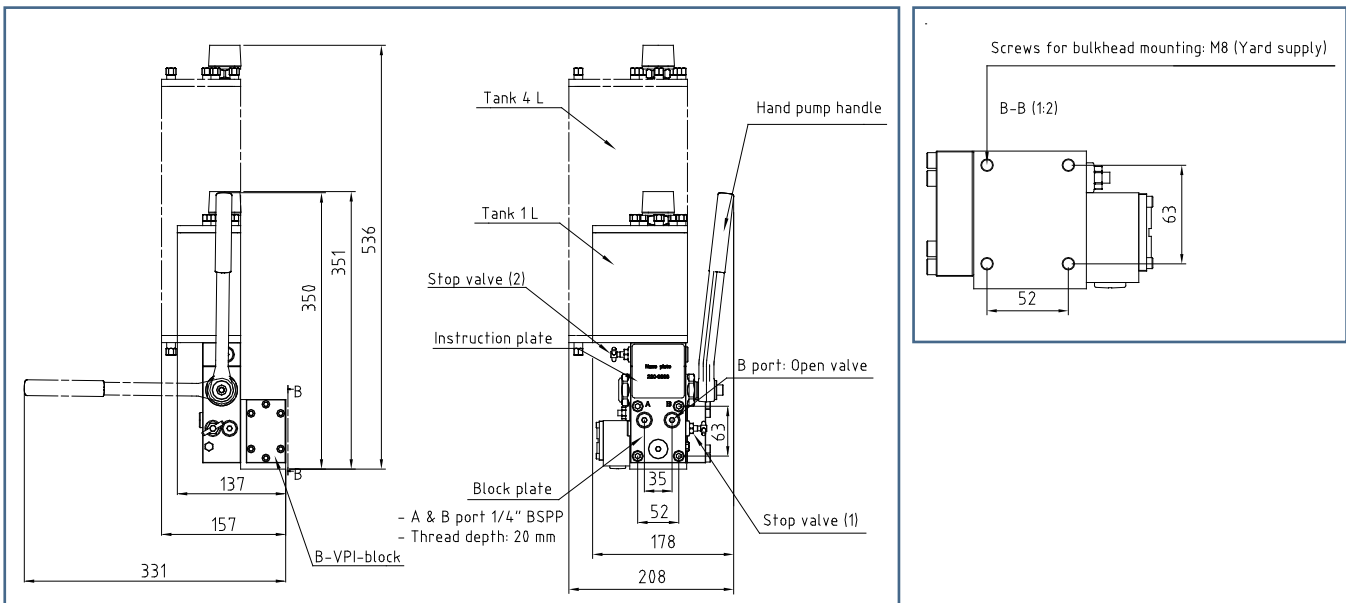
Dimensions for HP-S-B-VPI-V-1



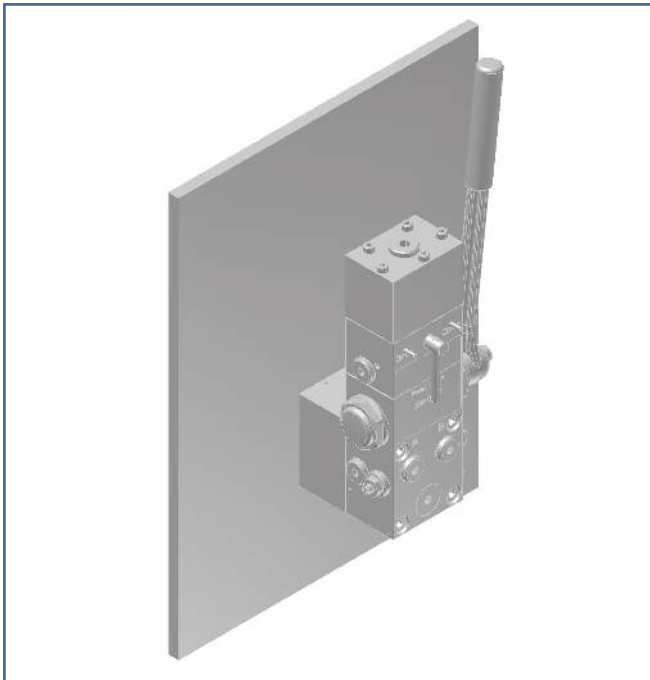
Hydraulic Diagram for HP-S-B-VPI-V-1/4



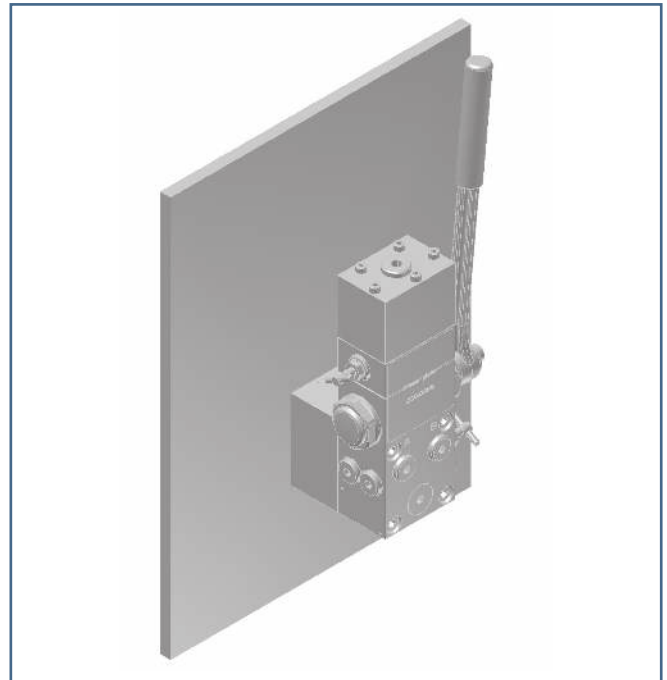
Dimensions for HP-S-B-VPI-V-1/4



Bulkhead Mounted Handpump for LPU



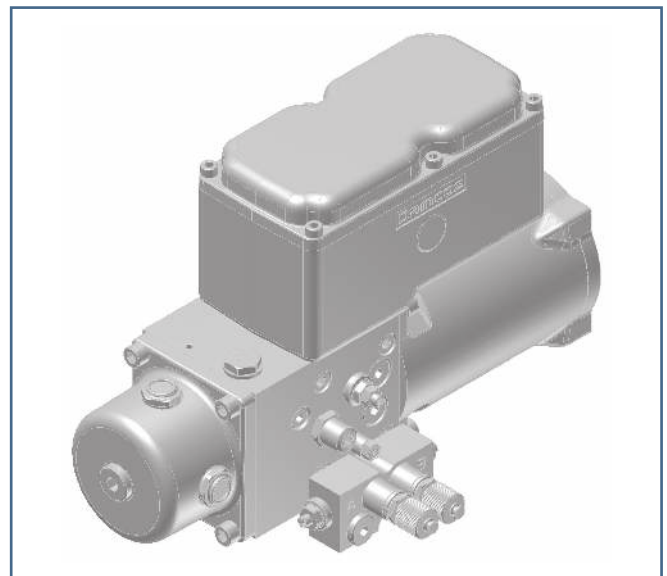
HP-D-B-50



HP-S-B-50

Installation Requirements for HP-D-B-50 and HP-S-B-50

- Length between actuators and hand pump:
 $Ll + La < 30 \text{ m}$.
- Main supply source (LPU) between hand pump and actuator
- Closed tank type must be used together with LPU.
- An additional pressurized LPU tank must occasionally be added dependent on actuator size and distance between hand pump and actuator.
- LPU connection block must be used:
 - To de-air pipes between hand pump and LPU
 - For easier troubleshooting and maintenance



LPU connection block

Emerson Process Management

Damcos A/S
Aaderupvej 41
DK-4700 Naestved
T +45 5578 7200
F +45 5578 7272

www.EmersonProcess.com/mtm

©2012 Emerson Process Management. All rights reserved.

The Emerson logo is a trademark and service mark of Emerson Electric Co. Damcos® and the Damcos logotype are registered trademarks of Damcos A/S. All rights reserved.

The contents of this publication are presented for information purposes only, and while effort has been made to ensure their accuracy, they are not to be construed as warranties or guarantees, expressed or implied, regarding the products or services described herein or their use or applicability. Standard Terms and Conditions of Sale can be issued by contacting Damcos A/S. We reserve the right to modify or improve the designs and specifications of our products at any time without notice.