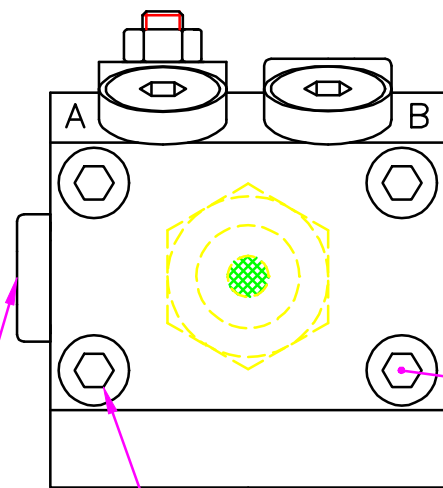


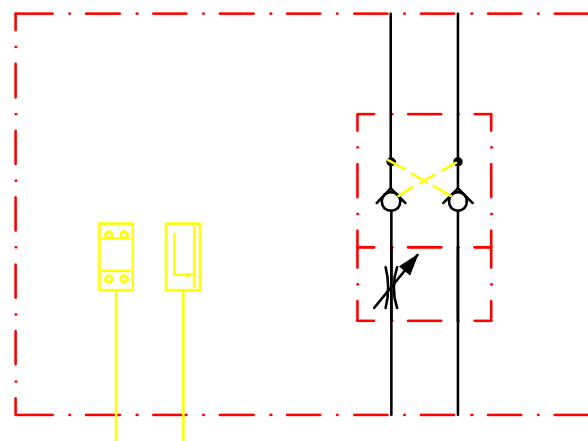
Conn. for pilot line "B" : 1/4"BSP



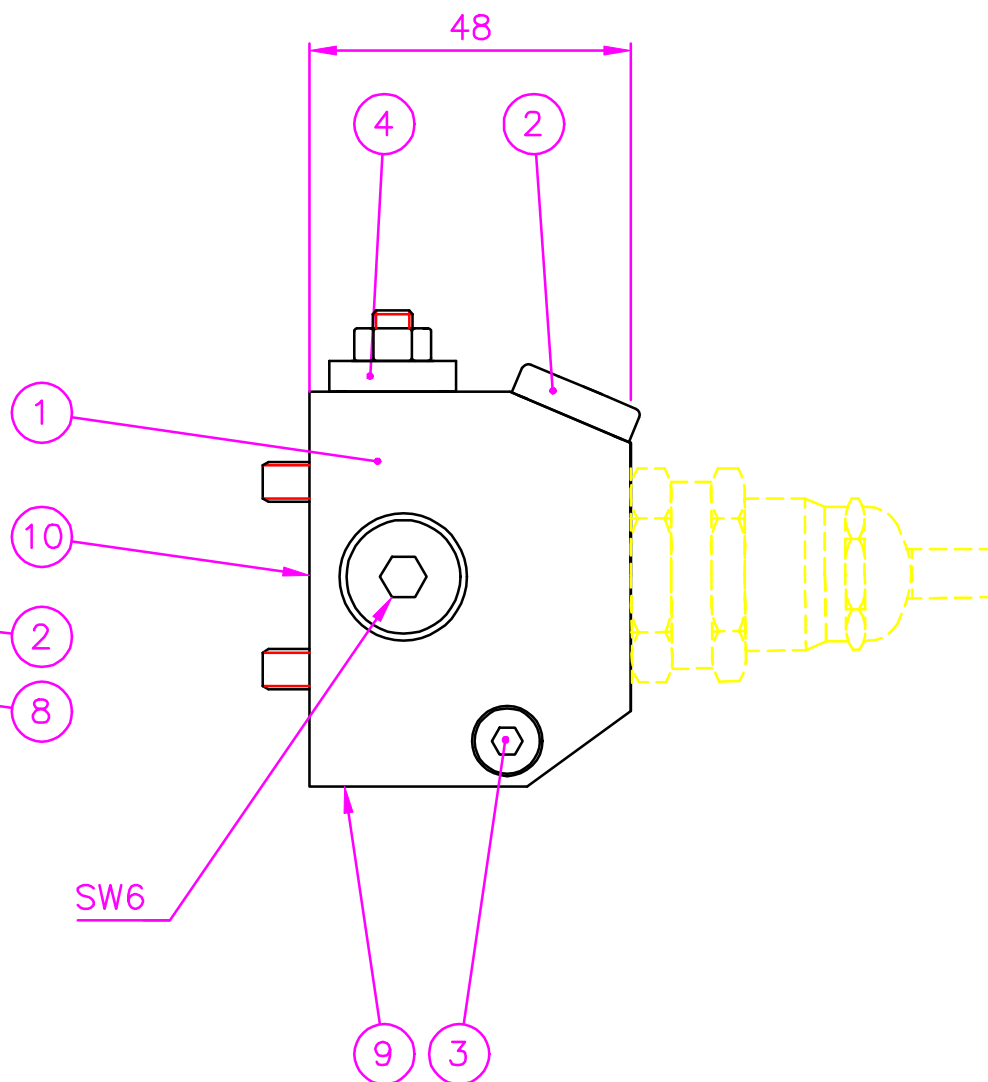
SW5

Conn. for pilot line "A" : 1/4"BSP

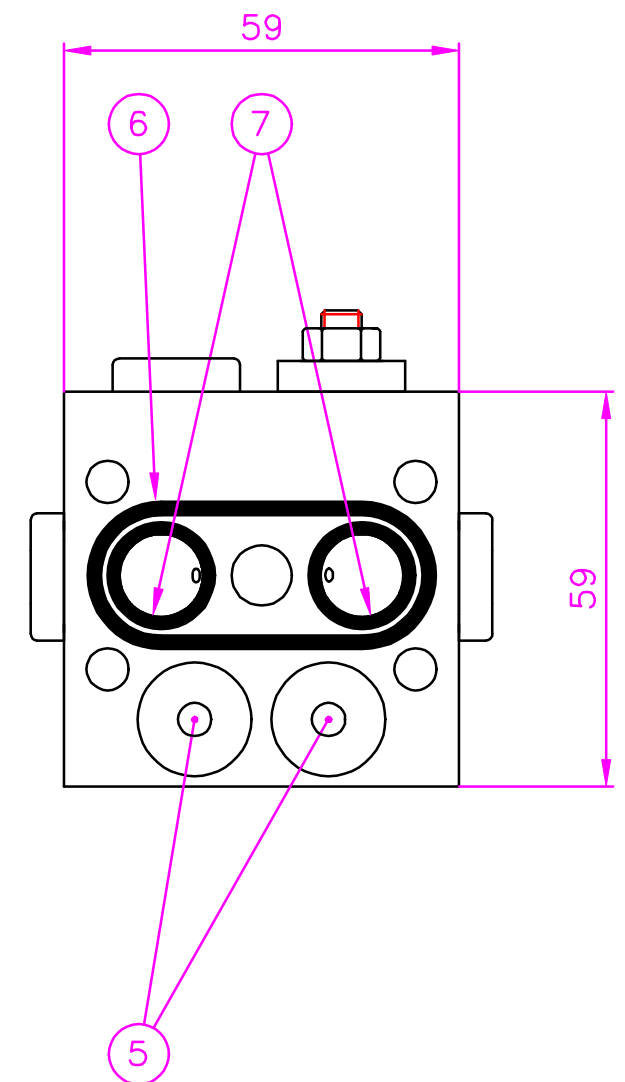
PILOT LINE
A B



ACTUATOR

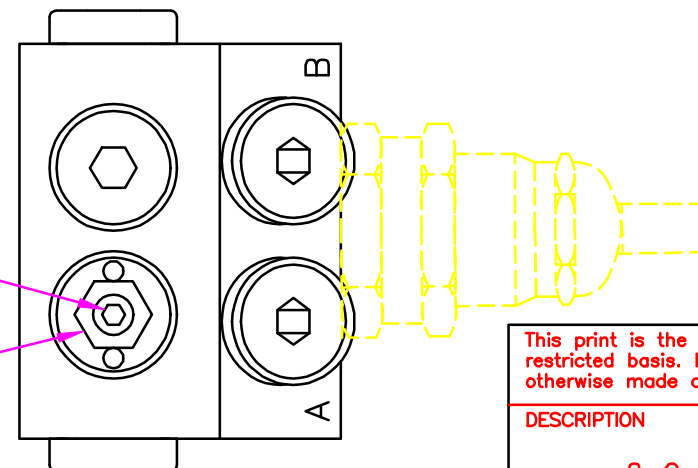



SW6



SW3

SW10



This print is the property of N.M.H. and is provided on a restricted basis. It is not to be copied, transferred or otherwise made available to any unauthorized person.	ALTR.	DATE	BY	CHECK	ISSUE
DESCRIPTION	BLOCK 2-C-DPNR-TH-MS-(SW/PM)				
 NORDISK MARINE HYDRAULIK DANMARK A/S Marinebuen 6 - DK-4700 N?stved Tlf. 55771800 - Telex 40124 - Fax 55773177	930812	CH			1
	PAGE	DRWG. NO.:	/ 024D391.X		