

Hydraulic Double-Acting Balanced Rotary Actuator 90° (Quarterturn)

A1

BRC 052

Main Data:

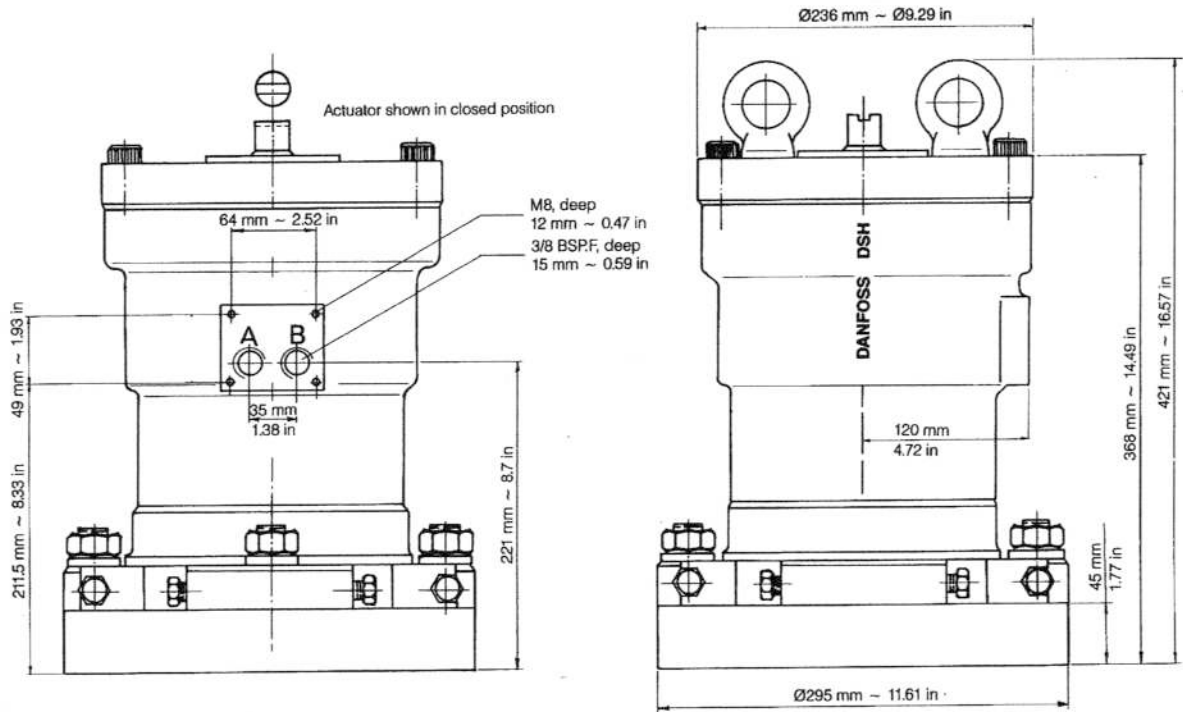
Max. working pressure: 210 bar ~ 3046 lbf/in²
 Total dry weight: 96 kg ~ 212 lb incl. 31 kg ~ 68 lb for mounting set.
 Oil displacement: 1500 cm³ ~ 91.5 in³ - identical for both directions.
 Temperature range: -20°C to 80°C ~ -4°F to 176°F.
 Rotation: 90° ± 1°.
 Hydraulic media and viscosities: We recommend acid-free hydraulic oil.
 Viscosity range: 15 - 200 cSt. For recommended brands and for other media than oil please refer to separate data sheet.



Tests and Approvals:

Burst tested to 640 bar ~ 9282 lbf/in²

Main Dimensions:



A port: Close (clockwise seen from above), B port: Open

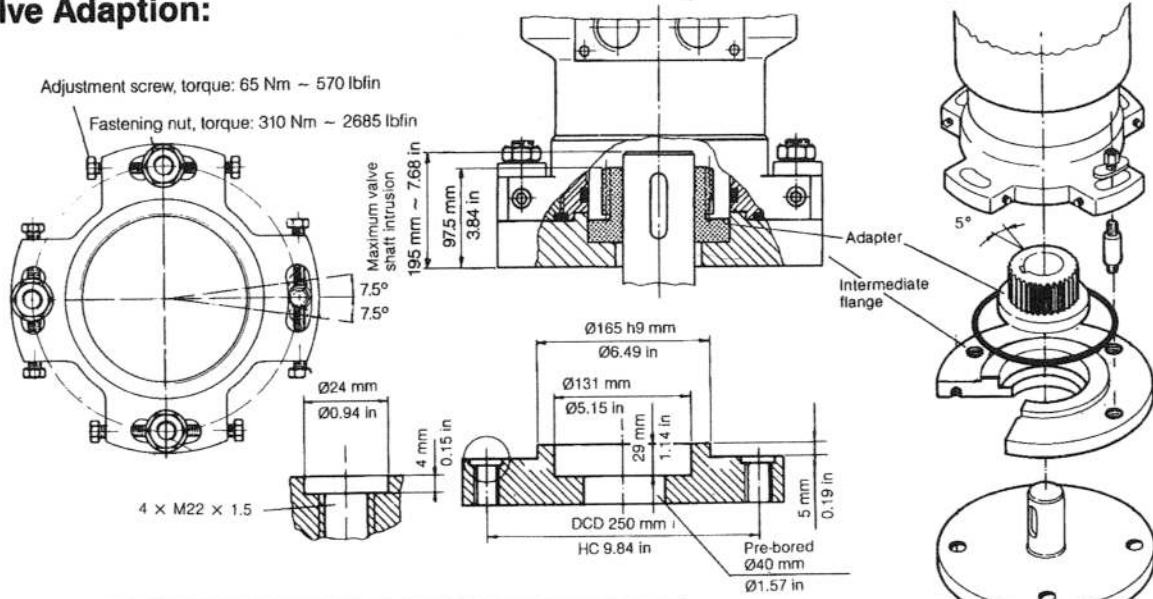
The company policy aims at continuous improvement of the products and therefore all rights to change the specifications without notice are reserved.

BRC 052

Hydraulic Double-Acting Balanced Rotary Actuator 90° (Quarterturn)

A1

Valve Adaption:



Limits for the Machining of the Adapter

Shape					
mm	80	80	80	67	p+q 95
in	3.15	3.15	3.15	2.63	3.74

Performance:

