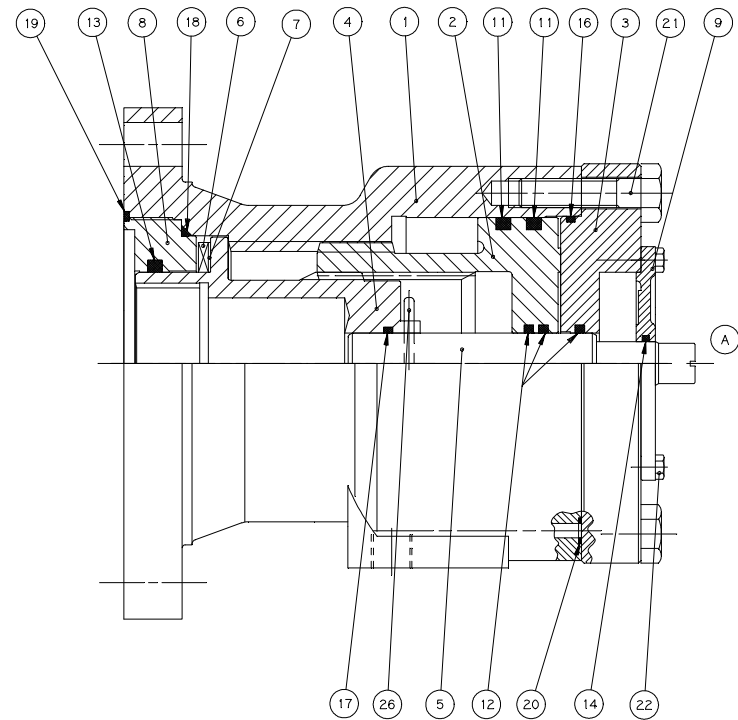
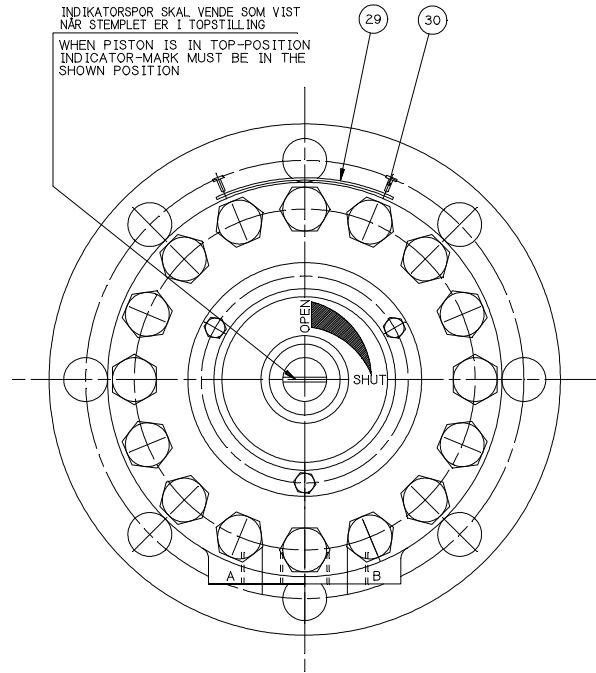
 DANFOSS SYSTEM HYDRAULIK A/S		PARTS-, SPARE PARTS, & MATERIAL LIST			
		COMPONENT: TYPE & VERSION BRC 022 - A1		SHEET: 1	OF: ?
Notes: All items with stated ID nos. can be purchased as spare parts. When ordering spare parts - state ID no.		PSM.NO. 051P2321		ISSUE	X
		DATE	BY	CHECK	↓
DRAWINGS REFERRED TO:		940530	LSI		
DRAWING NO.	REF.	DESCRIPTION			
051B2321	a	Assembly drawing		*	*
	b			*	*
	c			*	*
	d			*	*

ITEM Nos. or capital letters	REF.	ID NO.	PARTS DESCRIPTION	QTY	MATERIAL	CTM NO.
1	a		Housing	1	GGG 40	A05
2	a		Piston	1	GGG 40	A10
3	a	045D2462	Top cover	1	GGG 40	A10
4	a	045D2452	Output shaft	1	SKF 280	B54
5	a	160N0351	Indicator shaft	1	S-1802	F10
6	a	390-0015	Thrust bearing ø75	1	St-3	POL
7	a	390-0115	Thrust disc ø75	2	100Cr6	ROL
8	a	051D2291	Bottom member	1	GGG 40	A10
9	a	051E6541	Indicator cover	1	MS 58	L05
11	a		X-ring 107.32/117.98*5.33	2	NBR 85	PD
12	a		X-ring 24.99/ 32.05*3.53	3	NBR 85	PD
13	a		X-ring 75.57/ 86.23*5.33	1	NBR 85	PD
14	a		X-ring 17.75/ 22.99*2.62	1	NBR 85	PD
15	a		Gasket	1	CR	
16	a		O-ring 114.5*3.0	1	NBR 70	NBR
17	a		O-ring 24.5*3.0	1	NBR 70	NBR
18	a		O-ring 104.5*3.0	1	NBR 70	NBR
19	a		O-ring 119.5*3.0	1	NBR 70	NBR
20	a		O-ring 7.1*1.6	1	NBR 70	NBR
21	a	250-2138	Screw M12*50 DIN 933	16	8.8	08.8
22	a	251-1054	Screw M 5*12 DIN 912	3	70/A2	7/A2
23	a	251-7134	Screw M10*30 DIN 916	8	70/A2	7/A2
26	a	270-0198	PIN ø 4*50 DIN 94	1	SS 1413-25	
28	a	304-1053	Plug	2		
29	a		Name plate	1	Stainless	F90
30	a		Pin ø1.9*5	4	50/A4	5/A4
100	a		Eye bolt m10*30 DIN 580	2	Steel	
200	a	230-0044	Plate open/shut	1	Stainless	F90
		219-0310	Seal kit BRC 022 - A1			
			Consisting of:			
			Item 11-12-13-14-15-			
			16-17-18-19-20.			

2. juli 1996

INDIKATORSPOR SKAL VENDE SOM VIST
NÅR STEMPELET ER I TOPSTILLING
WHEN PISTON IS IN TOP-POSITION
INDICATOR-MARK MUST BE IN THE
SHOWN POSITION



NO.	REV.	DATE	BY	CHKD.	APP.	DESCRIPTION
1						ASSEMBLY DRAWING
2						BRC - 022
3						
4						
5						
6						
7						
8						
9						
10						
11						
12						
13						
14						
15						
16						
17						
18						
19						
20						
21						
22						
23						
24						
25						
26						
27						
28						
29						
30						



ASSEMBLY DRAWING
BRC - 022

SCALE: 1:1
MATERIAL: 300 104 SV
WEIGHT: 0.000 KG
PART NO: 051B2321