

BRC 002

Hydraulic Double-Acting Balanced Rotary Actuator 90° (Quarterturn)

A1

Main Data:

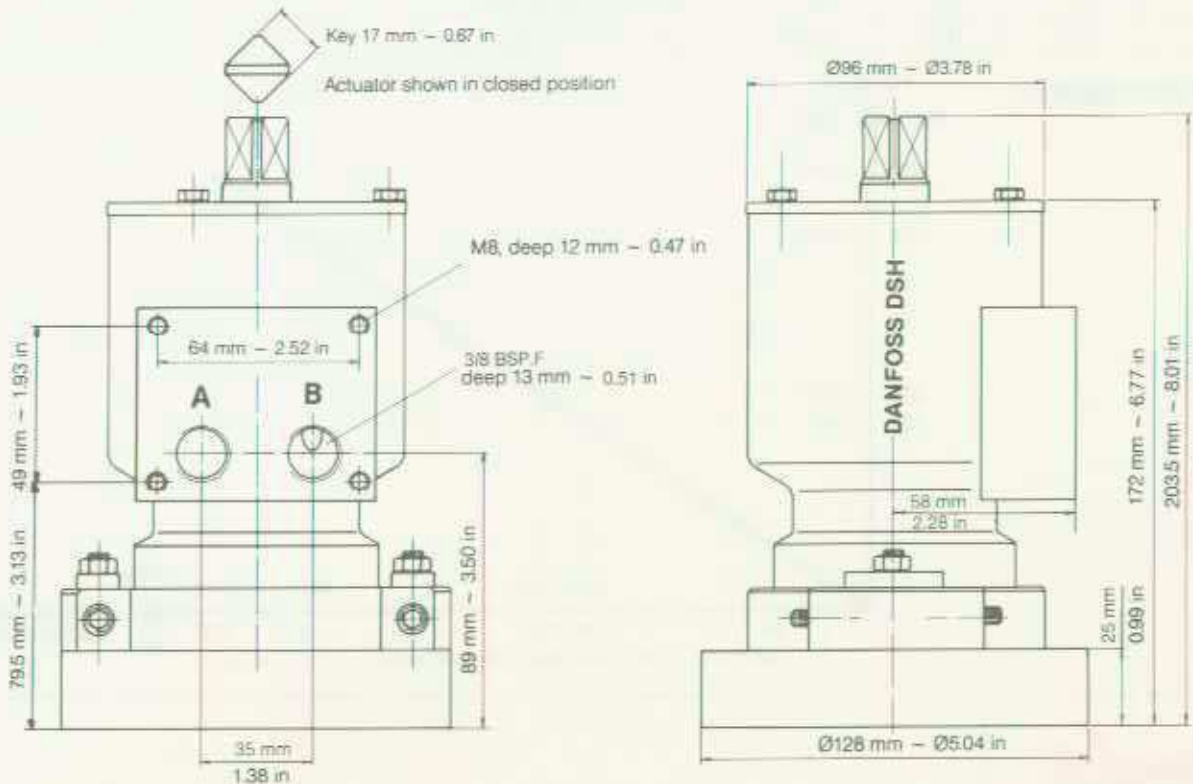
Max. working pressure: 210 bar ~ 3046 lbf/in²
 Total dry weight: 9.3 kg ~ 20.5 lb incl. 2.8 kg ~ 6.1 lb for mounting set.
 Oil displacement: 60 cm³ ~ 3.6 in³ - identical for both directions.
 Temperature range: -20°C to 80°C ~ -4°F to 176°F.
 Rotation: 90° ± 1°
 Hydraulic media and viscosities: We recommend acid-free hydraulic oil.
 Viscosity range: 15 - 200 cSt. For recommended brands and for other media than oil please refer to separate data sheet.



Tests and Approvals:

Burst tested to 990 bar ~ 14359 lbf/in²
 Vibration and high impact shock tested to U.S. Mil. standards 167 and 901 C.

Main Dimensions:



A port: Close (clockwise seen from above), B port: Open

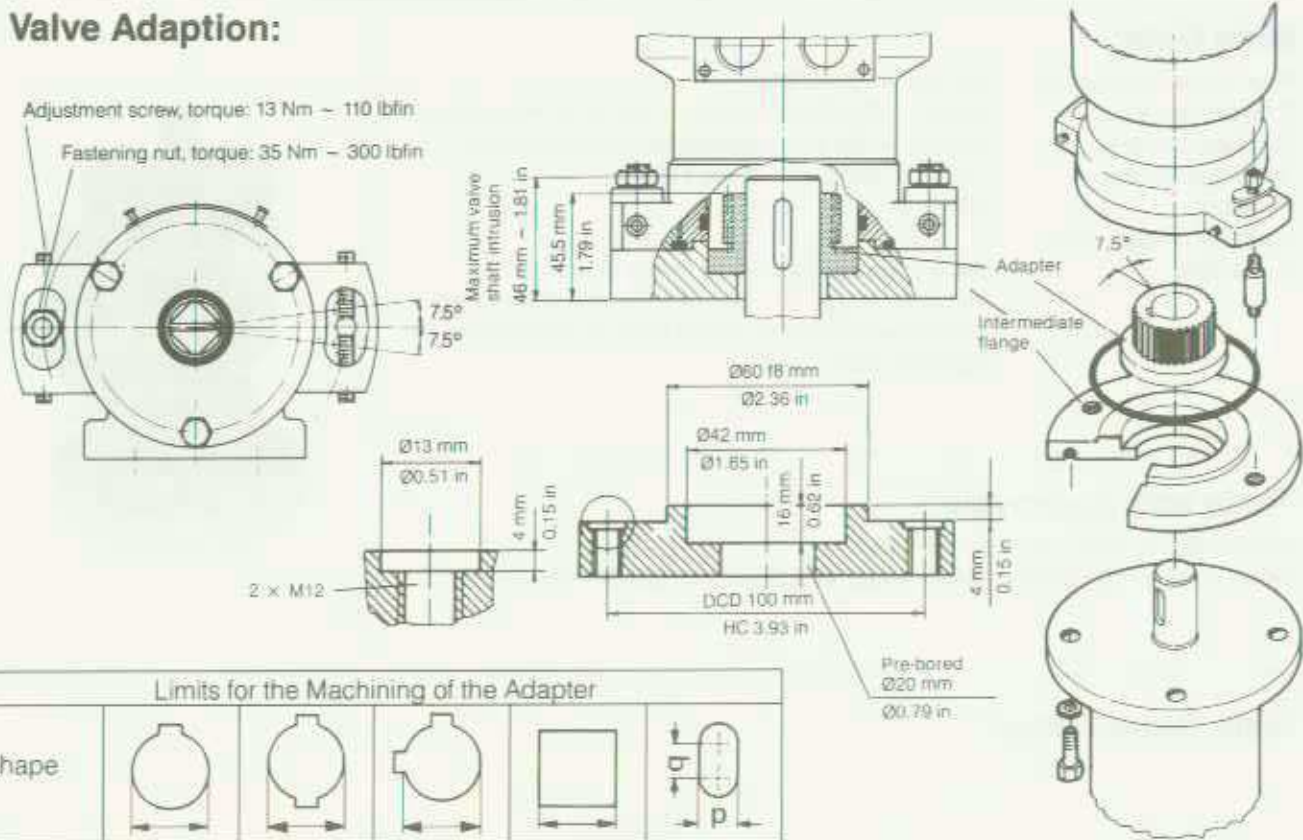
The company policy aims at continuous improvement of the products and therefore all rights to change the specifications without notice are reserved.

Hydraulic Double-Acting Balanced Rotary Actuator 90° (Quarterturn)

A1

Valve Adaption:

Adjustment screw, torque: 13 Nm - 110 lbf·in
Fastening nut, torque: 35 Nm - 300 lbf·in



Limits for the Machining of the Adapter

Shape					
mm	20	20	20	18	p+q 26
in	0.79	0.79	0.79	0.71	1.02

Performance:

