

Damcos™ BRC 32000

Hydraulic double-acting balanced rotary actuator
90° (Quarter-turn)



Main Data

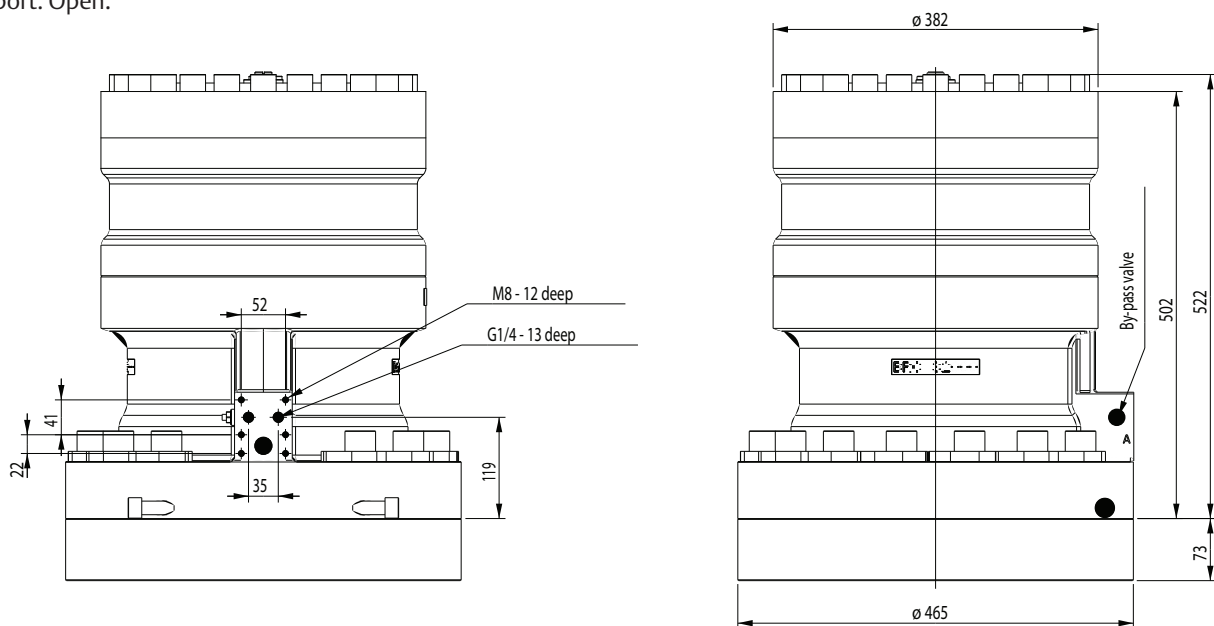
Recommended working pressure range	30 to 135 bar
Burst test	675 bar
Total dry weight incl. mounting set (119 kg)	441 kg
Oil displacement	6.1 l
Temperature range	Normal application: -20°C to +80°C (NBR Seal set)
Rotation	90° ±1°
Hydraulic media and viscosities	We recommend acid-free hydraulic oil. Viscosity range: 15-200 cSt. For recommended brands and for other media than oil please refer to separate data sheet.

Main Dimensions

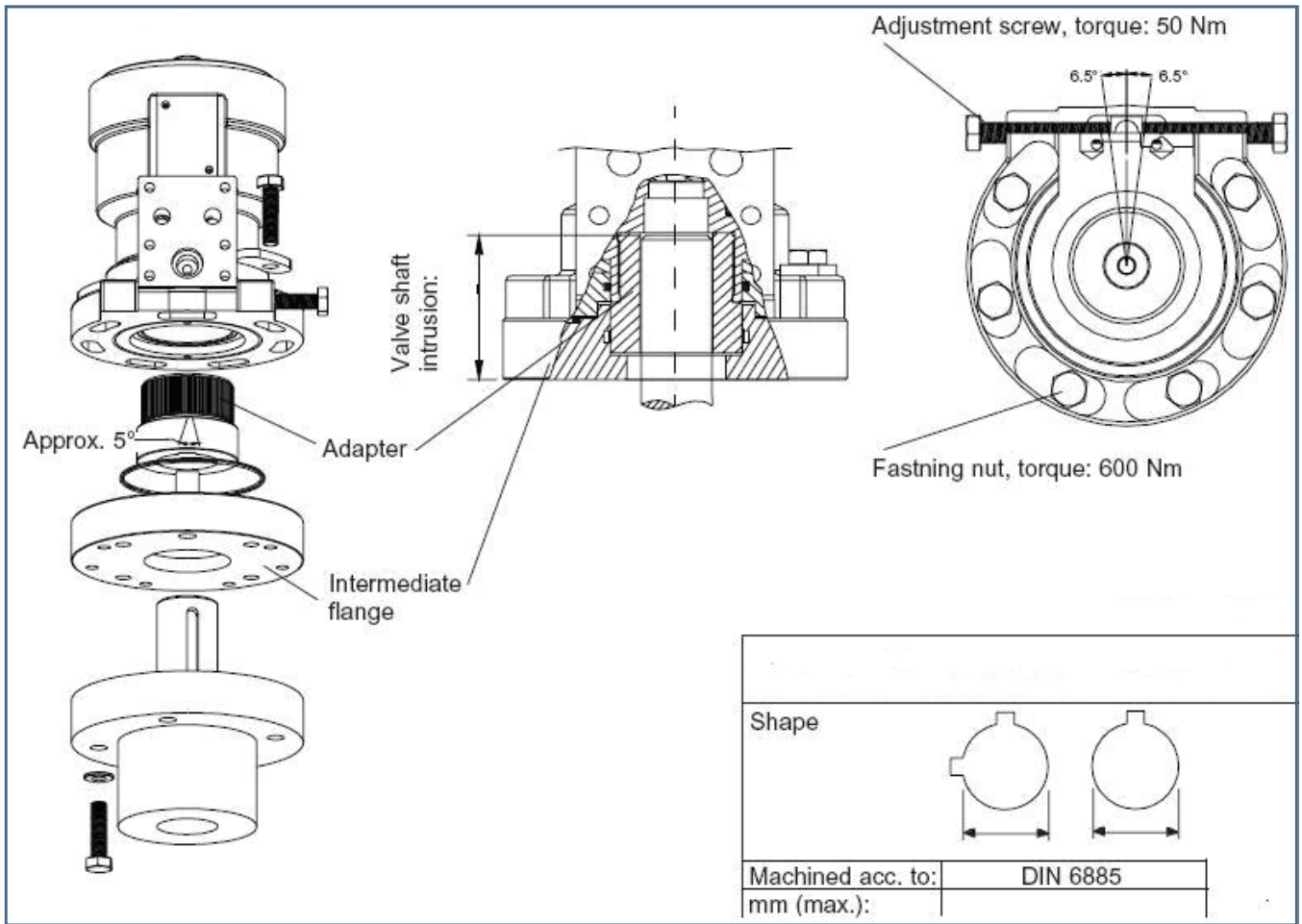
Actuator shown in closed position.

A port: Close (clockwise seen from above),

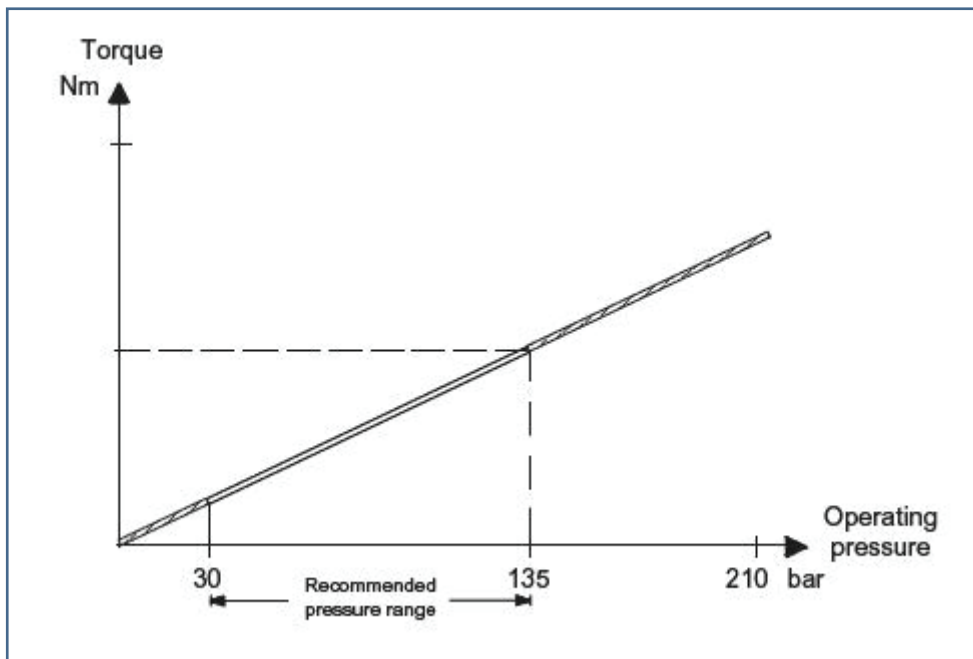
B port: Open.



All dimensions in mm



Performance



Emerson Process Management

Damcos A/S
Aaderupvej 41
DK-4700 Naestved
T +45 5578 7200
F +45 5578 7272

www.EmersonProcess.com/mtm

©2013 Emerson Process Management. All rights reserved.

The Emerson logo is a trademark and service mark of Emerson Electric Co. Damcos® and the Damcos logotype are registered trademarks of Damcos A/S. All rights reserved.

The contents of this publication are presented for information purposes only, and while effort has been made to ensure their accuracy, they are not to be construed as warranties or guarantees, expressed or implied, regarding the products or services described herein or their use or applicability. Standard Terms and Conditions of Sale can be issued by contacting Damcos A/S. We reserve the right to modify or improve the designs and specifications of our products at any time without notice.