

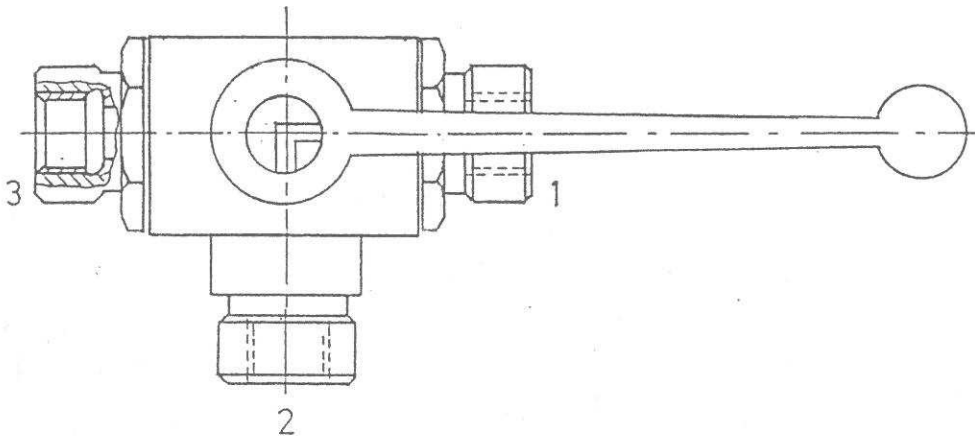
VALVE

3-WAY BALL VALVE SIDE ENTRY

DANFOSS PARTS NO.

INT-0902

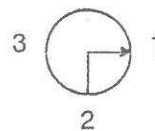
3-ways ball valve DN 10, inside thread (L-Bore).



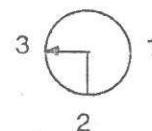
Data for ball valve:

Connection : 3/8"
Pressure : PN 400
Material : Steel
Ball material : Steel with hard-chrome plate
Type no : ARGUS 3491-0010-59 50 06
O-Ring : NBR
Temp. range : -40°C to +100°C

Diagram for L-Bore position 90°.



Position 1



Position 2