

# CS/CS-3 HS/HS-3

## Connection - and Mounting Blocks for Valve/Actuator Area

# A1

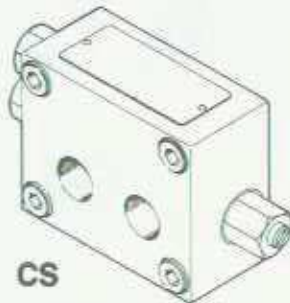
Connection - and mounting blocks for mounting on, or close to the actuator for the following purposes:

### Emergency operation.

**Flushing** of lines and **de-airing** of lines and actuator.

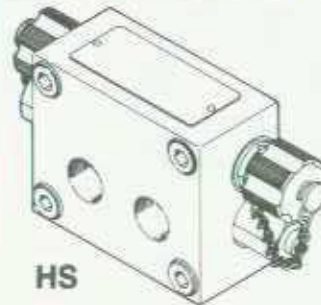
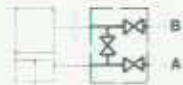
**Isolation** during maintenance and repair.

**Connection  
Blocks  
CS & HS**



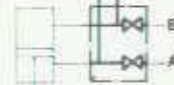
**CS**

Hydraulic Symbol:



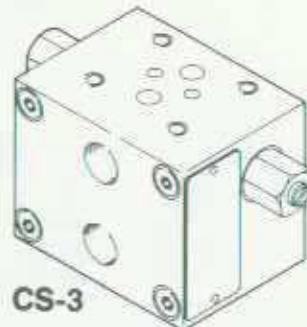
**HS**

Hydraulic Symbol:

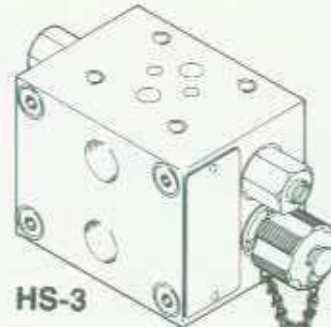


**When no  
additional  
control  
equipment**

**Mounting  
Blocks  
CS-3 & HS-3**



**CS-3**



**HS-3**

**For mounting  
of additional  
control equip-  
ment (Cetop 3)**

Blocks with **cross-over valve** and **stop valves**.  
Opening of the cross-over valve allows mechanical  
operation of equal displacement actuator (BRC  $\leq$  012).  
Typical flushing/de-airing sequence:

- flush lines
- operate actuator once
- open cross-over valve
- flush
- close cross-over valve
- operate actuator
- open cross-over valve
- flush - etc.

Blocks with **hand pump connections** (male screw  
connections) and **stop valves**.

Allows for operation by means of a portable  
hand pump.

When flushing/de-airing a cross-over hose  
(with built-in stop valve) is fitted to the  
quick connections.

### Main Data:

Max. operation pressure:	210 bar ~ 3000 lbf/in <sup>2</sup>
Max. test pressure:	315 bar ~ 4500 lbf/in <sup>2</sup>
Flow rate at 100 bar (50 cSt visc.):	14.0 l/min.

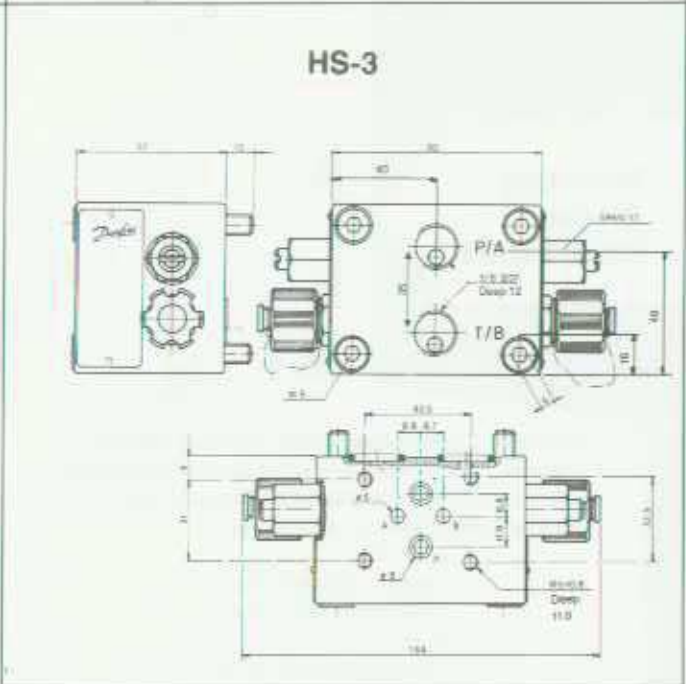
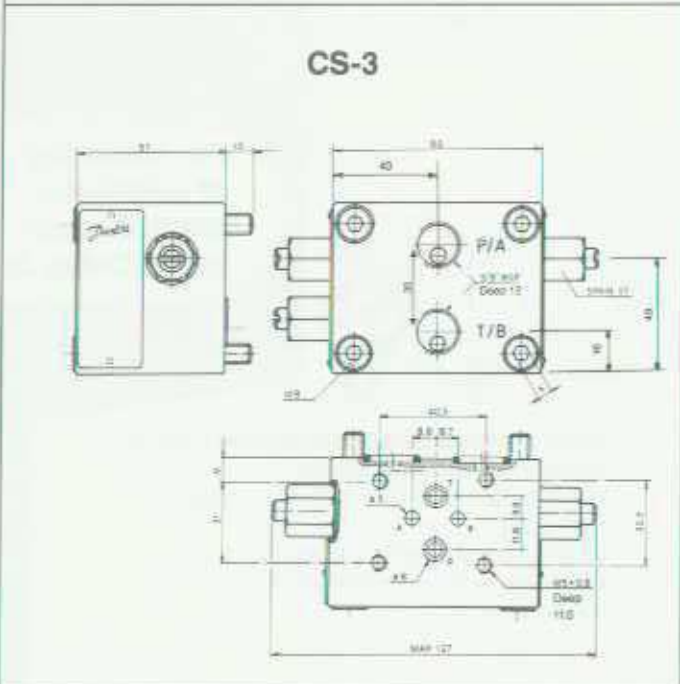
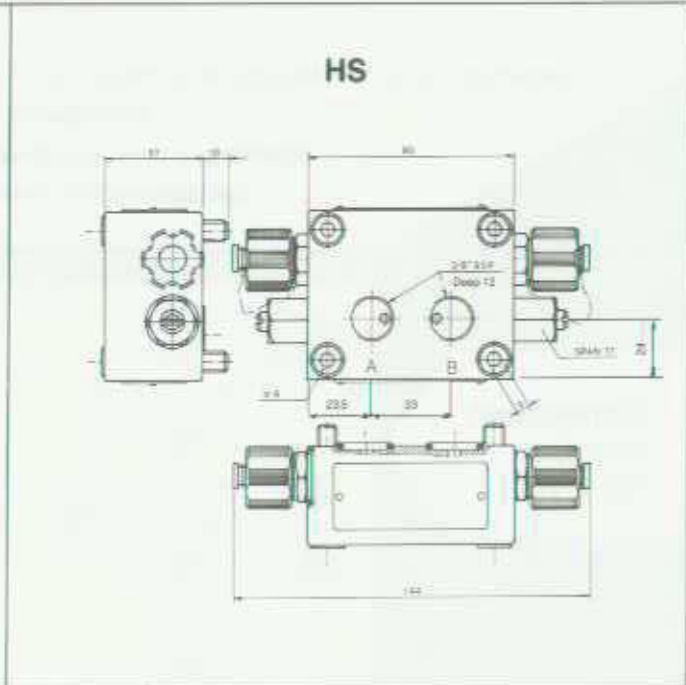
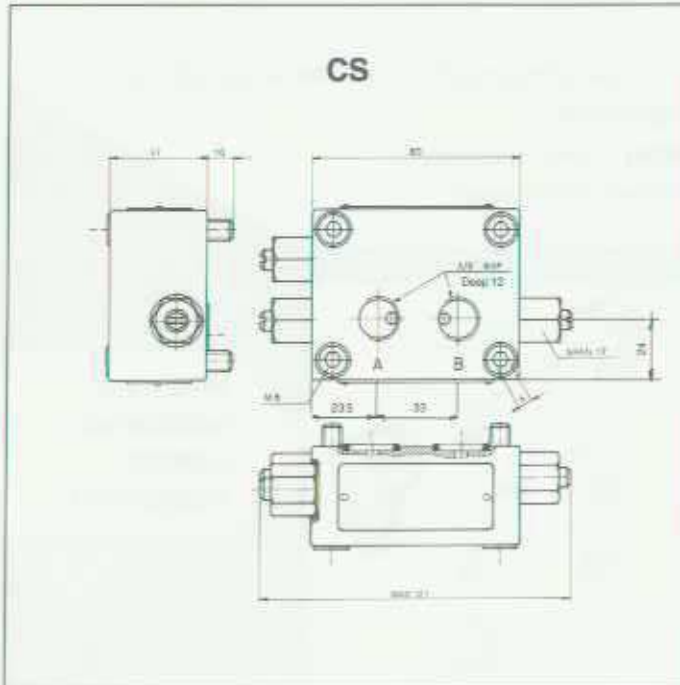
Weight approx:	<b>CS</b>	<b>HS</b>	<b>CS-3</b>	<b>HS-3</b>
kg	1.55	1.65	2.40	2.50
lb	3.42	3.64	5.29	5.51



# CS/CS-3 HS/HS-3

## Connection - and Mounting Blocks for Valve/Actuator Area Main Dimensions (mm)

# A1



### Materials:

Body of brass. Valves and fastening bolts of stainless steel.  
Screw connections of brass.