

Comparison list KDG MOBREY (BESTOBELL-MOBREY) / Trimod BESTA

KDG MOBREY			Trimod BESTA		
old part no.	new part no.		part no.		notes
S01/F83	S01D/F83		A 01 041		1
S01/F04/3	S01D/F04/3		A 01 093		1
S01/F05/5	S01D/F05/5/I		A 01 140		1+4
S01/F103	S01D/F103/I		A 01 04G1		1
S01/F103	S01D/F103		A 01 04G2		1
S01/F103	S01D/F103		A 01 04G3		1
S03/F83	S03DB/F83		U3A 01 041		1+2
S04/F83	S01APA/F83		P 01 041		1
S142/F104	S36AMA/F104		M 01 04G1		
S141/F05/5	S141APA/F05/I		PV 01 140		1
S36/F84	S36DA/F84		A 01 041/DA 01 041		
S36/F68/3	S36DA/F68/3		A 01 093/DA 01 093		
S36/F21/5	S36DA/F21/I		A 01 140		
S36/F104	S36DA/F104/I		A 01 04G1		
S36/F104	S36DA/F104		A 01 04G2		
S36/F104	S36DA/F104		A 01 04G3		
S200/F84	S250DA/F84		XA3 03 041		3+5
S200/F68/3	S250DA/F68/3		XA3 03 093		3+5
S200/F21/5	S250DA/F21/I		XA3 03 145		3+5
S340/F84	S440DA/F84		A 131R 041		
S329/F84	S429DA/F84		A 31C 041		
S124/F84	S424DA/F84		A 132R 041		
S206/F84	S256DA/F84		XA3 131R 041		5
S251/F84	S251DA/F84		XA3 132R 041		5
S203/F84	S253DA/F84		XA3 32C 041		5

Notes:

1. Equivalent TriMod BESTA switches have 316 ss wetted parts, no aluminium bronze.
2. TriMod BESTA switch modules are always IP68, not only IP67.
3. TriMod BESTA explosion proof switches are available with standard 92 mm square flange (type 01).
4. Mobrey type FO5/I, float and rod are of copper.
5. Instead of XA., the switch module ZK. can be used.

Trimod Besta HL / KDG Mobrey Comparison

Standard Range Side mounted	Besta	Mobrey	Besta	Mobrey	Besta	Mobrey
Model No.	XA3 01 041	S250DA/F84	U3A 01 041	S03DB/F83	A 01 090	S01D/F04
List Price						
Body Wetside	316 SS	316 SS	316 SS	Alu Bronz/Brass	316 SS	Alu Bronze
Float	316 SS	316 SS	316 SS	321 SS	316 SS	321 SS
Protection	IP67	IP66	IP68	IP68	IP65	IP54 (IP66)
Minimum Density	**0.7	0.65	**0.7	0.7	0.8 - 0.9	0.72 - 0.85
Maximum Pressure	24 bar(2400 kPa) at 330°C	2100kPa at 330°C 1970kPa at 400°C	24 bar(2400 kPa) at 330°C	1900kPa at 210°C	24 bar(2400 kPa) at 330°C	1800kPa to 210°C
Fixed Differential	12mm	13mm	12mm	13mm	37-128mm	15-247mm
***Ambient Temperature °C	-20 to +40	-20 to +70	-30 to +80	-30 to +70	0 to +70	-30 to +70
***Operating Temperature °C	-40 to +330	210	-30 to +80	210	0 to +330	210

Vertical mounted	Besta	Mobrey	Besta	Mobrey	Besta	Mobrey
Model No	A 01 140	S01D/F05/1	A 01 140	S01D/F07/1	5A 01 140	S36DA/F21/1
List Price						
Body Wetside	316 SS	Alu Bronze	316 SS	Alu Bronze	316 SS	316 SS
Float	316 SS	Copper	316 SS	316 SS	316SS	316 SS
Minimum Density	0.45	0.9	0.45	0.7	0.45	0.7
Maximum Pressure	16 bar at 300°C	10.3 bar at 20°C	16 bar at 300°C	18 bar at 20°C	16 bar at 300°C	18 bar at 20°C
Operating Temperature °C	0 to +330	-30 to +210	0 to +330	-30 to +210	0 to +330	-30 to +400

Industrial Switches / Plastic Range	Besta	Mobrey	Besta	Mobrey	Besta	Mobrey
Model No	A 131R 041	S440DA/F84	XA3 131R 041	S256DA/F84	A 302 98	*S357/F317
List Price						
Body Wetside	316 SS	316 SS	316 SS	316 SS	PTFE	PTFE
Float	316 SS	316 SS	316 SS	316 SS	PTFE	PTFE
Minimum Density	**0.7	0.65	**0.7	0.65	0.8	0.8
Maximum Pressure	3" 150lb	3" 150lb	3" 150lb	3" 150lb	3 bar (300kPa) at 200°C	60kPa at 60°C
Operating Temperature	***300°C	400°C	330°C	400°C	60°C	60°C

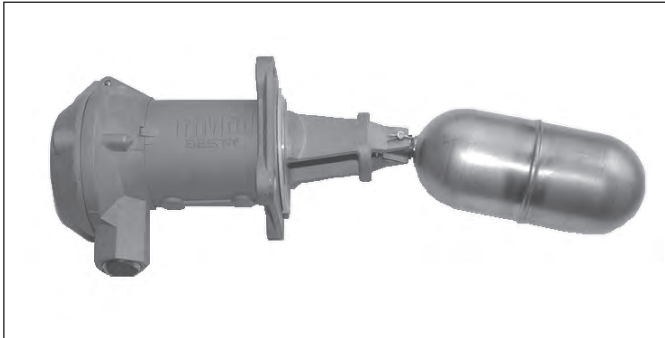
* Mobrey has no real equiv. to our PTFE wetside (Plastikrange)

** If the minimum density is critical. Besta Float Type 07 (minimum density 0.5) is available

*** If the maximum temperature is critical. Besta Switch HA (maximum operating temperature 400°C) is available

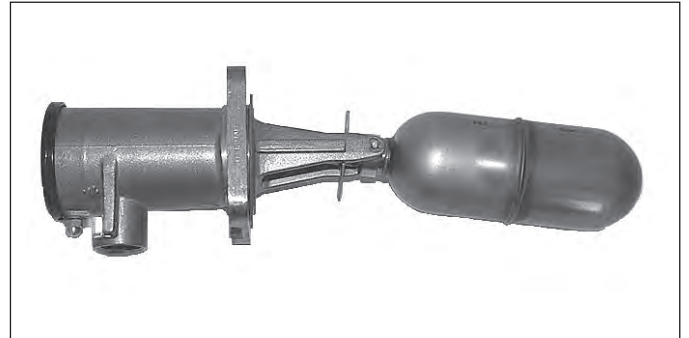
TriMod BESTA level switch

Type **A 01 041**



KDG (Bestobell) Mobrey level switch

Type S01D / F83



Nominal pressure	25 bar
Operating temperature	330°C
Ambient temperature	70°C
Min. density (S.G.)	0,70
Operating differential	fixed 12 mm

Wetside material	stainless steel (316 equiv.)
Switch housing material	sea water resistant die cast aluminium

Flange dimension 92 x 92 mm, PCD 92 mm

Switch element change-over (1 x SPDT)
microswitch, silver contacts

Switch rating 5A/250VAC 5A/30 VDC

Enclosure IP65 (NEMA4)

Cable entry PG16 (incl. cable gland)
(adaptors available,
e.g. M20x1.5)

Nominal pressure	18 bar
Operating temperature	210°C
Ambient temperature	60°C
Min. density (S.G.)	0,65
Operating differential	fixed 13 mm

Wetside material	Alu-bronze, float SS
Switch housing material	Alu-bronze Grade AB1/ Grade LM2 (end cap)

Flange dimension 92 x 92 mm, PCD 92 mm

Switch element 2 x SPST independent
silver contact sets

Switch rating 5A (8A)/440VAC
2A/240VDC

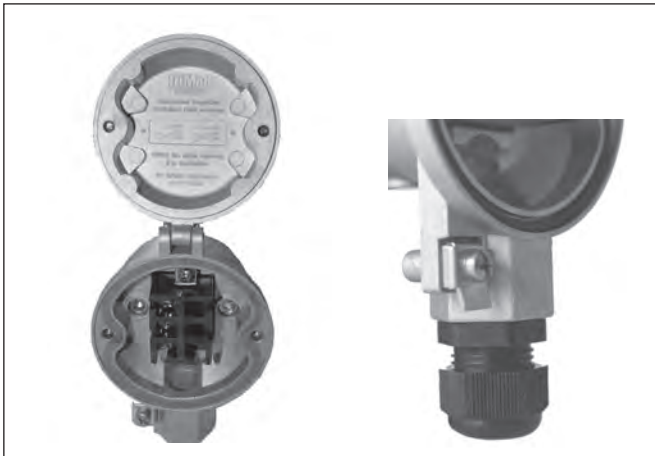
Enclosure IP54 (NEMA3)

Cable entry 25 mm conduit thread

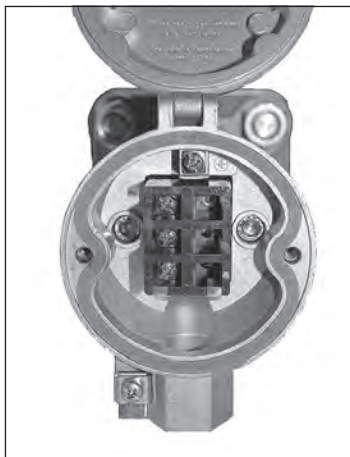
TriMod BESTA level switch
Type A 01 041

Features:

- 3-modular design
- housing can be removed without interruption of process



- hinged cover
- connection diagram cast inside cover
- cable entry sealed against dust and humidity for long time storage
- cable gland PG16 is scope of supply
- cover screws can be opened with any type screwdriver

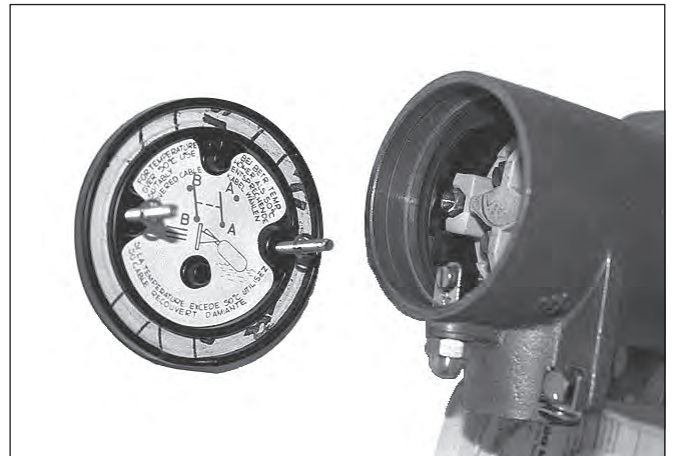


- spacious terminal housing
- user friendly for connection of wiring (time = costs)
- self-lifting and captive terminal screws

KDG (Bestobell) Mobrey level switch
Type S01D / F83

Features:

- one cast for housing and flange part
- switch must be removed complete, i.e. process must be interrupted



- loose cover
- connection diagram on paper sticker inside cover only
- cable entry not sealed against dust and humidity for long time storage
- no cable gland supplied as standard
- crosstip screwdrivers can't be used to open the cover



- cramped terminal housing
- awkward to connect wiring (time = costs)
- no self-lifting, non captive terminal screws

With reservation of technical modifications

Besta Ltd, CH-8610 Uster, Switzerland
 Phone +41 43 399 15 15, Fax +41 43 399 15 00
 info@besta.ch, www.besta.ch

Printed in Switzerland

BESTA