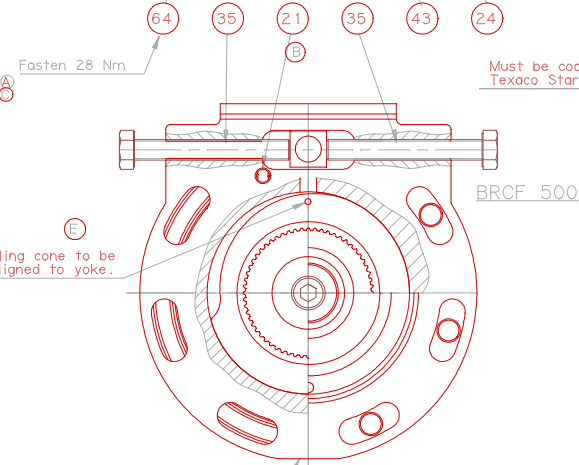


Springs must be wet  
with hydraulik oli!

Assembly for B1 version



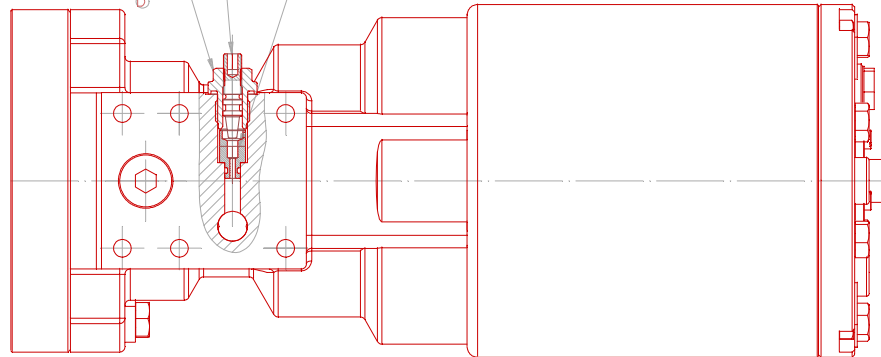
Must be coated with  
Texaco Starplex EP1 1.5ml

Fasten 22 Nm

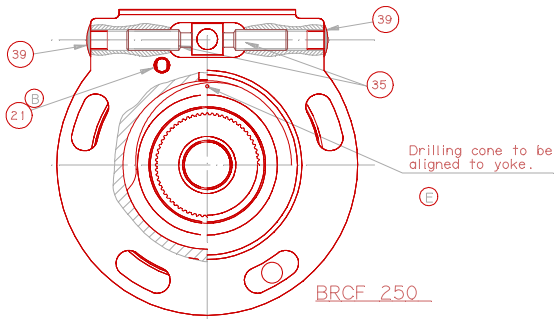
Must be coated with  
Texaco Starplex EP1 1.5ml

Must be locked with  
Locite 542

Fasten 20 Nm



Date Stamp



BRCF 250 FO

Only for  
FO Mounting

Drilling cones  
to be aligned.

NO.	REV.	DATE	DESCRIPTION	BY	CHK.
1	1	2023-03-02	Initial Release	...	...
2	1	2023-03-02	...	...	...
3	1	2023-03-02	...	...	...
4	1	2023-03-02	...	...	...
5	1	2023-03-02	...	...	...
6	1	2023-03-02	...	...	...
7	1	2023-03-02	...	...	...
8	1	2023-03-02	...	...	...
9	1	2023-03-02	...	...	...
10	1	2023-03-02	...	...	...
11	1	2023-03-02	...	...	...
12	1	2023-03-02	...	...	...
13	1	2023-03-02	...	...	...
14	1	2023-03-02	...	...	...
15	1	2023-03-02	...	...	...
16	1	2023-03-02	...	...	...
17	1	2023-03-02	...	...	...
18	1	2023-03-02	...	...	...
19	1	2023-03-02	...	...	...
20	1	2023-03-02	...	...	...
21	1	2023-03-02	...	...	...
22	1	2023-03-02	...	...	...
23	1	2023-03-02	...	...	...
24	1	2023-03-02	...	...	...
25	1	2023-03-02	...	...	...
26	1	2023-03-02	...	...	...
27	1	2023-03-02	...	...	...
28	1	2023-03-02	...	...	...
29	1	2023-03-02	...	...	...
30	1	2023-03-02	...	...	...
31	1	2023-03-02	...	...	...
32	1	2023-03-02	...	...	...
33	1	2023-03-02	...	...	...
34	1	2023-03-02	...	...	...
35	1	2023-03-02	...	...	...
36	1	2023-03-02	...	...	...
37	1	2023-03-02	...	...	...
38	1	2023-03-02	...	...	...
39	1	2023-03-02	...	...	...
40	1	2023-03-02	...	...	...
41	1	2023-03-02	...	...	...
42	1	2023-03-02	...	...	...
43	1	2023-03-02	...	...	...
44	1	2023-03-02	...	...	...
45	1	2023-03-02	...	...	...
46	1	2023-03-02	...	...	...
47	1	2023-03-02	...	...	...
48	1	2023-03-02	...	...	...
49	1	2023-03-02	...	...	...
50	1	2023-03-02	...	...	...
51	1	2023-03-02	...	...	...
52	1	2023-03-02	...	...	...
53	1	2023-03-02	...	...	...
54	1	2023-03-02	...	...	...
55	1	2023-03-02	...	...	...
56	1	2023-03-02	...	...	...
57	1	2023-03-02	...	...	...
58	1	2023-03-02	...	...	...
59	1	2023-03-02	...	...	...
60	1	2023-03-02	...	...	...
61	1	2023-03-02	...	...	...
62	1	2023-03-02	...	...	...
63	1	2023-03-02	...	...	...

**Damcos** ASSEMBLY DRAWING  
BRCF 250-500  
A1 - B1, FC + FO

160N9267