



BRCF 012

Hydraulic Single-Acting Balanced Rotary Actuator 90° (Quarterturn) Fail-safe

B1

Main Data:

Max. working pressure: 115 bar ~ 1667 lb/in²
 Test pressure: 1.5 × max. working pressure (~ 180 bar)
 Total dry weight: 28 kg ~ 62 lb incl. 6.2 kg ~ 13.5 lb for mounting set.
 Oil displacement: 208 cm³ ~ 12.7 in³
 Temperature range: -20°C to 80°C ~ -4°F to 176°F
 Rotation: 90° ± 1°
 Hydraulic media and viscosities: We recommend acid-free hydraulic oil.
 Viscosity range: 15 - 200 cSt. For recommended brands and for other media than oil please refer to separate data sheet.

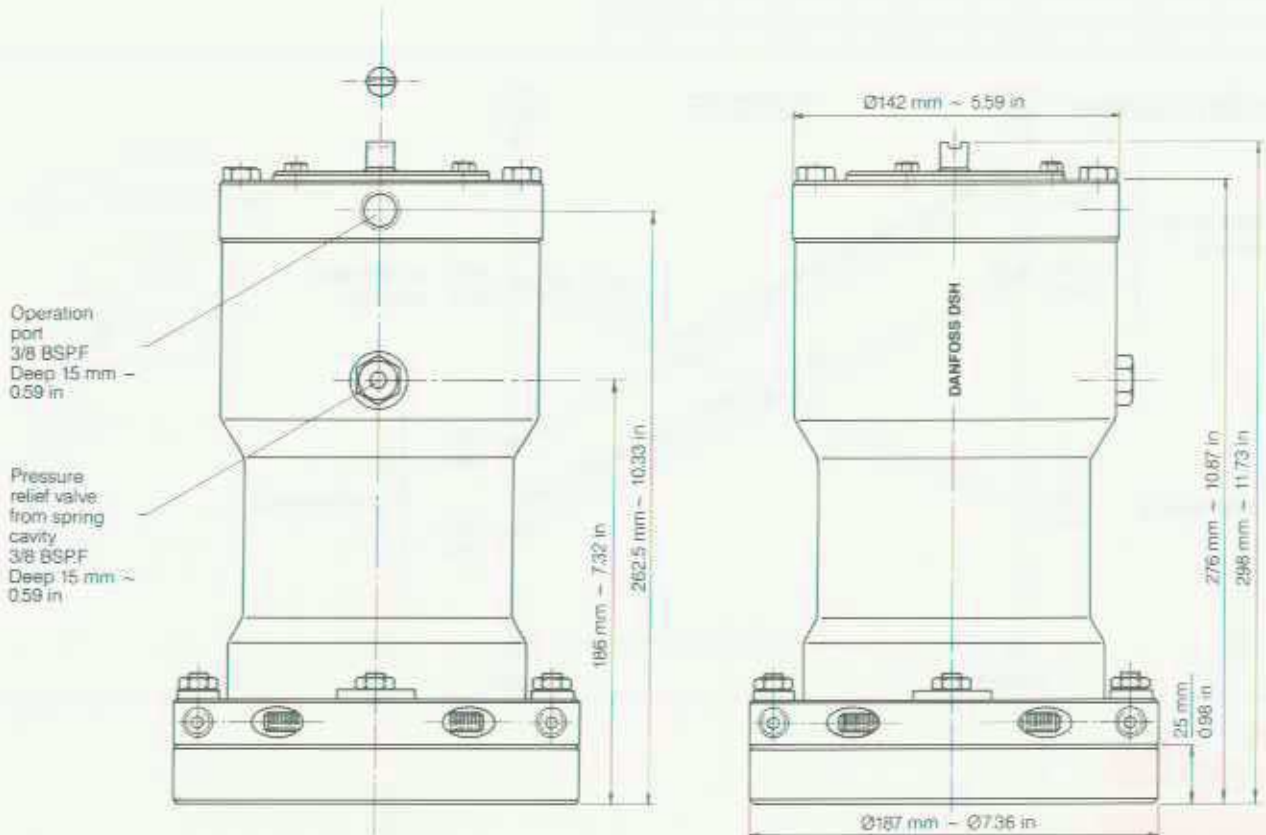


Test:

Burst tested to 575 bar ~ 8339 lb/in²

Main Dimensions:

Actuator shown in «closed» (fail-safe) position



The company policy aims at continuous improvement of the products and therefore all rights to change the specifications without notice are reserved.

BRCF 012

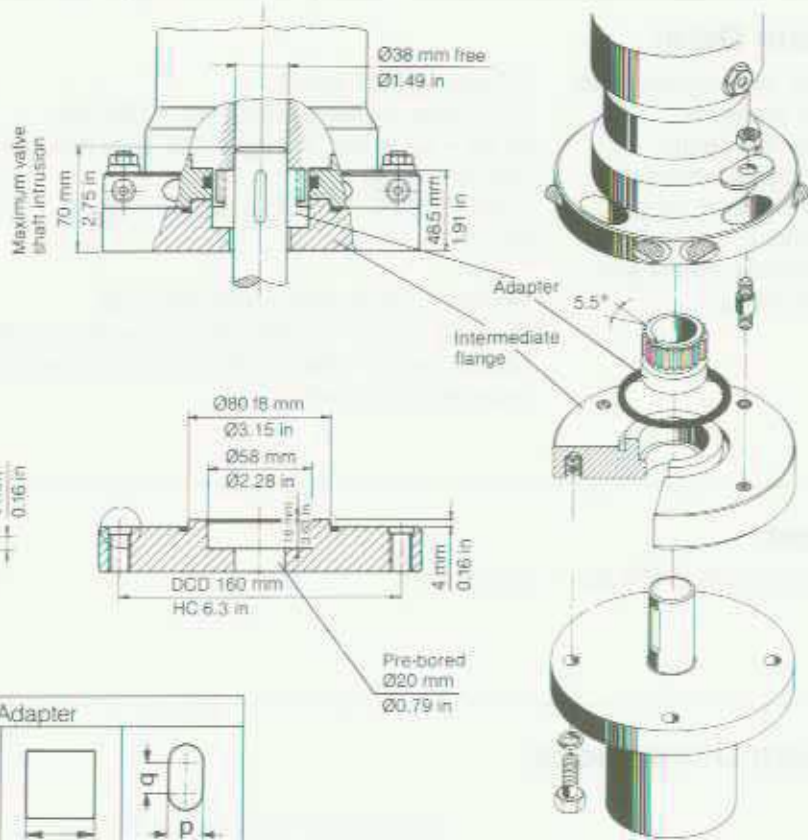
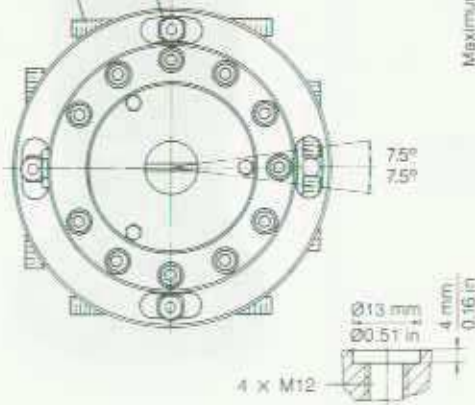
Hydraulic Single-Acting Balanced Rotary Actuator 90° (Quarterturn) Fail-safe

B1

Valve Adaption:

Adjustment screw, torque: max. 13 Nm – 110 lbf·in

Fastening nut, torque: 35 Nm – 300 lbf·in



Limits for the Machining of the Adapter

Max. shape of valve spindle					
mm	30	30	30	26	p+q: 38
in	1.18	1.18	1.18	1.02	1.5

Performance:

TORQUE

