



# BRC 072 - 90° Hydraulic double-acting balanced rotary actuator

**Materials:**

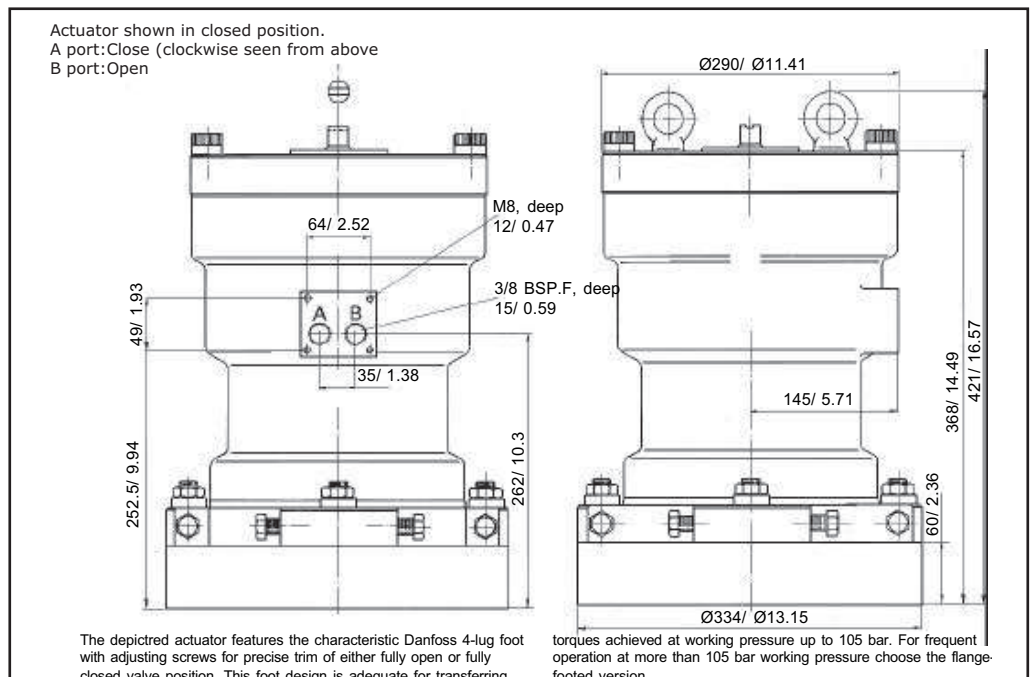
Housing:	Eur.	U.S.
	GGG 40	A695-80
Piston:	GGG 40	A 395-80
Output shaft:	SS 2142	ISO C18 Si35 Mn15 V08
Indicator shaft:	SS 2382	AISI 430
Intermediate flange:	St. 50-2	(A 675 grade 70)
Adapter:	SS 2142	ISO C18 SI35 Mn15 V08
Coating: Primer: Min. 40 micron epoxy ester		

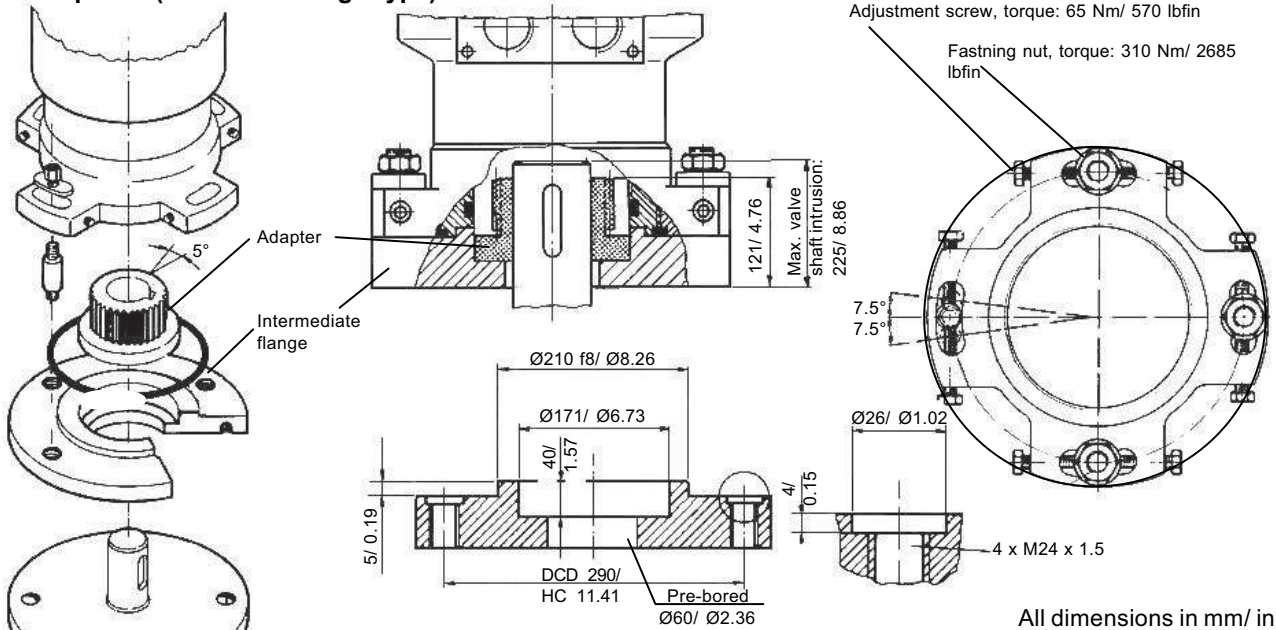


**Main data:**

Burst test:	540 bar/ 7832 lbf/in <sup>2</sup>
Max. working pressure:	210 bar/ 3046 lbf/in <sup>2</sup>
Total dry weight:	149 kg/ 328.5 lb incl. 54 kg/ 119 lb for mounting set
Oil displacement:	3100 cm <sup>3</sup> / 190 in <sup>3</sup>
Temperature range:	-20°C to +80°C/ -4°F to 176°F
Rotation:	90° ±1°
Hydraulic media and viscosities:	We recommend acid-free hydraulic oil. Viscosity range: 15-200 cSt. For recommended brands and for other media than oil please refer to separate data sheet.

**Main dimensions:**

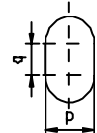
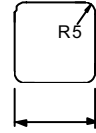
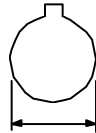


**Valve adaption: (Note: Full flange type)**


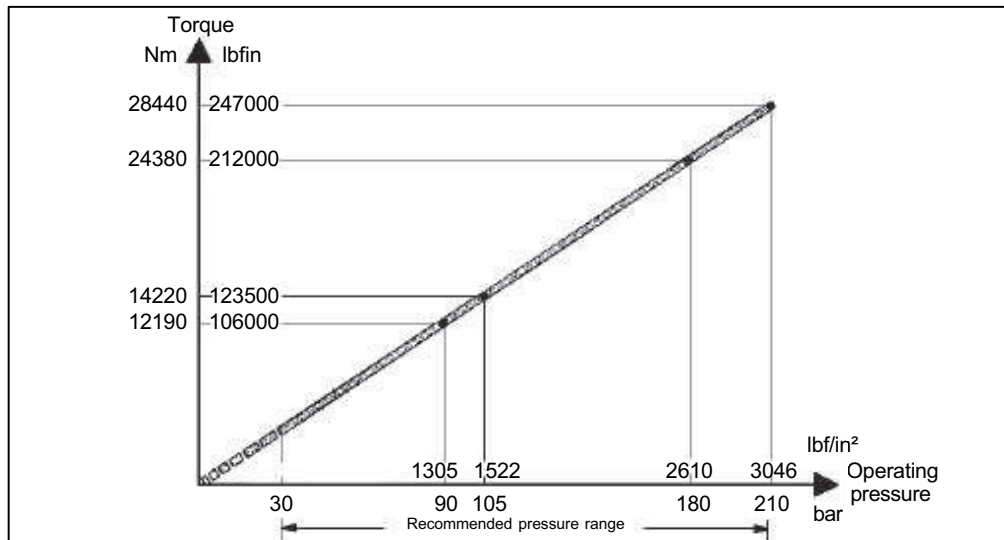
All dimensions in mm/ in

**Limits for the machining of the adapter.**

Shape



mm	100	100	100	82	p+q 115
in	3.93	3.93	3.93	3.22	4.52

**Performance:**


Damcos can accept no responsibility for possible errors in catalogues, brochures and other printed material. Damcos reserves the right to alter its products without notice. This also applies to products already on order provided that such alterations can be made without subsequential changes being necessary in specifications already agreed. All trademarks in this material are property of the respective companies. Damcos and the Damcos logotype are trademarks of Damcos A/S. All rights reserved.